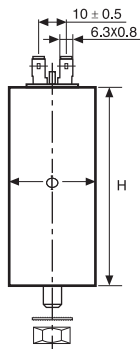




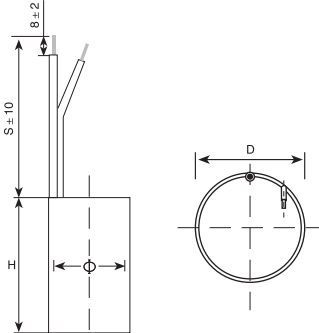
# C68

## 金属化聚丙烯膜交流电动机电容器 (圆柱形、塑料外壳) Metallized polypropylene film AC motor capacitor (column, plastic case)

### ■ 外形图 Outline Drawing



Tabs



Insulated flexible lead wires

### ■ 特点

- 适用于频率为50Hz/60Hz交流电源供电的  
单相电动机起动和运转
- 有自愈特性
- 高稳定性和高可靠性

### ■ Features

- Widely applied to starting and running of AC single-phase  
motors at 50Hz/60Hz frequency power
- Self-healing property
- Excellent stable performance and reliability

### ■ 安全认证 Safety Approvals

|   |  |                    |   |
|---|--|--------------------|---|
| ● |  | CQC<br>(中国)        | GB/T 3667.1-2016 A.C. motor capacitors<br>1.0 μF~100 μF, 500Vac Class C or 450Vac Class B, 50/60Hz, S0, SH, 40/85/21<br>证书号 ( Certificate No. ) : 11002056845                   |
| ● |  | VDE<br>(德国)        | EN 60252-1:2011+A1:2013 A.C. motor capacitors<br>1.0 μF~80 μF, 450Vac/500Vac, Class C or 450Vac /470Vac Class B, 50/60Hz, S0, SH,40/85/21<br>证书号 ( Certificate No. ) : 40035355 |
| ● |  | UL/CUL<br>(美国/加拿大) | UL 810 CSA,C22.2 No.190(construction only) max. 600 Vac, 50/60Hz, max. 90 C<br>证书号(File No.): E256238, CCN:CZDS2/8  |

### ■ 技术要求 Specifications

|  |                                 |  |                    |
|--|---------------------------------|--|--------------------|
| 额定电压 Rated Voltage                               |                                 | 500Vac ( 50/60Hz )                     | 450Vac ( 50/60Hz ) |
| 运行等级 Class of operation                          |                                 | Class C                                | Class B            |
| 容量范围 Capacitance Range                           |                                 | 1.0μF ~ 80.0μF                         |                    |
| 电容公差 Capacitance Tolerance                       |                                 | ± 5%, ± 10%, ± 15%                     |                    |
| 安全防护等级 Class of safety protection                |                                 | S0                                     |                    |
| 气候类别 Climatic Category                           |                                 | 40/85/21                               |                    |
| 耐电压<br>Voltage Proof                             | 极间电压 Between Terminals          | 1 000Vac(2s)                           | 900Vac(2s)         |
|  | 极壳电压 Between Terminals and Case | 3 000Vac(60s)                          |                    |
| 最高运行电压 Maximum permissible voltage               |                                 | 1.1U <sub>N</sub>                      |                    |
| 最高运行电流 Maximum permissible current               |                                 | 1.3I <sub>N</sub>                      |                    |
| 绝缘电阻 Insulation Resistance(IR × C <sub>N</sub> ) |                                 | ≥ 3 000s (20°C, 100V, 1min)            |                    |
| 损耗角正切 Dissipation Factor                         | C <sub>N</sub> ≤ 10μF           | ≤ 20 × 10 <sup>-4</sup> ( 1kHz, 20°C ) |                    |
|  | 10μF < C <sub>N</sub> ≤ 33μF    | ≤ 60 × 10 <sup>-4</sup> ( 1kHz, 20°C ) |                    |
|  | C <sub>N</sub> > 33μF           | ≤ 80 × 10 <sup>-4</sup> ( 1kHz, 20°C ) |                    |
| 最大安装扭矩 Max tightening torque                     |                                 | 4N·m(M8)~8N·m(M12)                     |                    |

## 产品编码说明 Part number code system

### ■ 18位产品代码如下:

The 18 digits part number is formed as follow:

|   |   |   |   |   |   |   |   |   |    |    |    |    |    |    |    |    |    |
|---|---|---|---|---|---|---|---|---|----|----|----|----|----|----|----|----|----|
| 1 | 2 | 3 | 4 | 5 | 6 | 7 | 8 | 9 | 10 | 11 | 12 | 13 | 14 | 15 | 16 | 17 | 18 |
| C | 6 | 8 |   |   |   |   |   |   |    |    |    |    |    |    |    |    |    |

|       |                                       |              |   |
|-------|---------------------------------------|--------------|---|
| 第1~3位 | 型号代码                                  | Digit 1 to 3 | Series code                                   |
|       | C68                                   |              | C68   |
| 第4~5位 | 交流额定电压                                | Digit 4 to 5 | AC rated voltage                              |
|       | H2=500V S2=450V                       |              | H2=500V S2=450V                               |
| 第6~8位 | 标称容量                                  | Digit 6 to 8 | Rated capacitance value                       |
|       | 举例: 505=50 × 10 <sup>5</sup> pF=5.0μF |              | For example:505=50 × 10 <sup>5</sup> pF=5.0μF |
| 第9位   | 容量等级                                  | Digit 9      | Capacitance tolerance                         |
|       | J= ± 5%, K= ± 10%                     |              | J= ± 5%, K= ± 10%                             |
| 第10位  | 产品直径代码                                | Digit 10     | Diameter code                                 |

| 第 10 位 Digit 10   |      |
|-------------------|------|
| C68 Diameter Code |      |
| D                 | Code |
| 25                | 1    |
| 30                | 2    |
| 35                | 3    |
| 40                | 4    |
| 45                | 5    |
| 50                | 6    |
| 55                | 7    |
| 60                | 8    |

| 第 15 位 Digit 15 |      |     |      |     |      |
|-----------------|------|-----|------|-----|------|
| C68 High Code   |      |     |      |     |      |
| H               | Code | H   | Code | H   | Code |
| 38              | 1    | 73  | 8    | 108 | F    |
| 43              | 2    | 78  | 9    | 113 | G    |
| 48              | 3    | 83  | A    | 118 | H    |
| 53              | 4    | 88  | B    | 123 | J    |
| 58              | 5    | 93  | C    |     |      |
| 63              | 6    | 98  | D    |     |      |
| 68              | 7    | 103 | E    |     |      |

|         |        |                |                |
|---------|--------|----------------|----------------|
| 第11位    | 内部特征码  | Digit11        | Internal use   |
| 第12~14位 | 引出端代码  | Digit 12 to 14 | Terminals code |
| 第15位    | 产品高度代码 | Digit 15       | High code      |
| 第16~18位 | 内部特征码  | Digit 16 to 18 | Internal use   |

### ■ Table 1 引出端代码 Terminals code

| 第 12 位 Digit 12 |  | 第 13 位 Digit 13 |  | 第 14 位 Digit 14 |   |
|-----------------|--|-----------------|--|-----------------|---|
| Code            | 引出端形式<br>Terminal form                     | Code            | 安装形式<br>Fixed style                        | Code            | 引出端长度<br>length of lead wire                          |
| 8               | AMP250# 插片每边两个<br>Two AMP250# per side     | 5               | 下部螺栓 M8<br>Bottom-bolt M8                  | 0               | 标准形式<br>standard form<br>8 英寸 8inch<br>(1inch=25.4mm) |
| 7               | AMP250# 插片每边一个<br>One AMP250# per side     | 6               | 下部螺栓 M10<br>Bottom-bolt M10                | 8               |   |
| B               | UL1015 绝缘线剥线式<br>UL1015 insulate lead wire | 7               | 下部螺栓 M12<br>Bottom-bolt M12                |                 |   |
|                 |  | 8               | 中部卡圈<br>Ring-clip in<br>the middle of case |                 |   |



# C68

## ■ 外形尺寸 Dimensions ( mm )

| C <sub>N</sub><br>(μF) | I <sub>N</sub><br>(A) | Max<br>dV/dt<br>(V/μs) | 500Vac(Class C) / 450Vac(Class B) <sup>#</sup><br>Tabs |                   |                    | 500Vac(Class C) / 450Vac(Class B) <sup>#</sup><br>Insulated flexible lead wires |                   |                    |
|------------------------|-----------------------|------------------------|--|-------------------|--------------------|---|-------------------|--------------------|
|                        |                       |                        | D ± 10%<br>( mm )                                      | H ± 10%<br>( mm ) | Part number        | D ± 10%<br>( mm )   | H ± 10%<br>( mm ) | Part number        |
| 1.0                    | 0.16                  | 20                     | 25   | 43                | C68H2105-10***2+++ | 25  | 38                | C68H2105-10***1+++ |
| 1.25                   | 0.20                  | 20                     | 25   | 43                | C68H2024-10***2+++ | 25  | 38                | C68H2024-10***1+++ |
| 1.5                    | 0.24                  | 20                     | 25   | 43                | C68H2155-10***2+++ | 25  | 38                | C68H2155-10***1+++ |
| 1.7                    | 0.27                  | 20                     | 25   | 43                | C68H2175-10***2+++ | 25  | 38                | C68H2175-10***1+++ |
| 2.0                    | 0.31                  | 20                     | 30   | 43                | C68H2205-20***2+++ | 30  | 38                | C68H2205-20***1+++ |
| 2.5                    | 0.39                  | 20                     | 30   | 43                | C68H2255-20***2+++ | 30  | 38                | C68H2255-20***1+++ |
| 3.0                    | 0.47                  | 20                     | 30   | 43                | C68H2305-20***2+++ | 30  | 38                | C68H2305-20***1+++ |
| 3.15                   | 0.49                  | 20                     | 30   | 43                | C68H2025-20***2+++ | 30  | 38                | C68H2025-20***1+++ |
| 3.5                    | 0.55                  | 20                     | 30   | 53                | C68H2355-20***4+++ | 30  | 48                | C68H2355-20***3+++ |
| 4.0                    | 0.63                  | 20                     | 30   | 53                | C68H2405-20***4+++ | 30  | 48                | C68H2405-20***3+++ |
| 4.5                    | 0.71                  | 20                     | 30   | 53                | C68H2455-20***4+++ | 30  | 48                | C68H2455-20***3+++ |
| 5.0                    | 0.79                  | 20                     | 30   | 53                | C68H2505-20***4+++ | 30  | 48                | C68H2505-20***3+++ |
| 5.5                    | 0.86                  | 20                     | 35   | 53                | C68H2555-30***4+++ | 35  | 48                | C68H2555-30***3+++ |
| 6.0                    | 0.94                  | 20                     | 35   | 53                | C68H2605-30***4+++ | 35  | 48                | C68H2605-30***3+++ |
| 6.3                    | 0.99                  | 20                     | 35   | 53                | C68H2635-30***4+++ | 35  | 48                | C68H2635-30***3+++ |
| 6.5                    | 1.02                  | 20                     | 35   | 53                | C68H2655-30***4+++ | 35  | 48                | C68H2655-30***3+++ |
| 7.0                    | 1.10                  | 20                     | 35   | 53                | C68H2705-30***4+++ | 35  | 48                | C68H2705-30***3+++ |
| 7.5                    | 1.18                  | 20                     | 35   | 53                | C68H2755-30***4+++ | 35  | 48                | C68H2755-30***3+++ |
| 8.0                    | 1.26                  | 20                     | 35   | 53                | C68H2805-30***4+++ | 35  | 48                | C68H2805-30***3+++ |
| 9.0                    | 1.41                  | 20                     | 35   | 63                | C68H2905-30***6+++ | 35  | 58                | C68H2905-30***5+++ |
| 10.0                   | 1.57                  | 20                     | 35   | 63                | C68H2106-30***6+++ | 35  | 58                | C68H2106-30***5+++ |
| 12.0                   | 1.88                  | 20                     | 40   | 63                | C68H2126-40***6+++ | 40  | 58                | C68H2126-40***5+++ |
| 13.0                   | 2.04                  | 20                     | 40   | 63                | C68H2136-40***6+++ | 40  | 58                | C68H2136-40***5+++ |
| 14.0                   | 2.20                  | 20                     | 40   | 63                | C68H2146-40***6+++ | 40  | 58                | C68H2146-40***5+++ |
| 15.0                   | 2.36                  | 20                     | 40   | 73                | C68H2156-40***8+++ | 40  | 68                | C68H2156-40***7+++ |
| 16.0                   | 2.51                  | 20                     | 40   | 73                | C68H2166-40***8+++ | 40  | 68                | C68H2166-40***7+++ |
| 18.0                   | 2.83                  | 20                     | 40   | 73                | C68H2186-40***8+++ | 40  | 68                | C68H2186-40***7+++ |
| 20.0                   | 3.14                  | 20                     | 40   | 73                | C68H2206-40***8+++ | 40  | 68                | C68H2206-40***7+++ |
| 25.0                   | 3.93                  | 20                     | 40   | 98                | C68H2256-40***D+++ | 40  | 93                | C68H2256-40***C+++ |
| 30.0                   | 4.71                  | 20                     | 40   | 98                | C68H2306-40***D+++ | 40  | 93                | C68H2306-40***C+++ |
| 31.5                   | 4.95                  | 20                     | 45   | 98                | C68H231E-50***D+++ | 45  | 93                | C68H231E-50***C+++ |
| 32.0                   | 5.02                  | 20                     | 45   | 98                | C68H2326-50***D+++ | 45  | 93                | C68H2326-50***C+++ |
| 35.0                   | 5.50                  | 20                     | 45   | 98                | C68H2356-50***D+++ | 45  | 93                | C68H2356-50***C+++ |
| 36.0                   | 5.65                  | 20                     | 45   | 98                | C68H2366-50***D+++ | 45  | 93                | C68H2366-50***C+++ |
| 40.0                   | 6.28                  | 20                     | 45   | 98                | C68H2406-50***D+++ | 45  | 93                | C68H2406-50***C+++ |
| 45.0                   | 7.07                  | 20                     | 50   | 98                | C68H2456-60***D+++ | 50  | 93                | C68H2456-60***C+++ |
| 50.0                   | 7.85                  | 20                     | 50   | 98                | C68H2506-60***D+++ | 50  | 93                | C68H2506-60***C+++ |
| 55.0                   | 8.64                  | 20                     | 50   | 123               | C68H2556-60***J+++ | 50  | 118               | C68H2556-60***H+++ |
| 60.0                   | 9.42                  | 20                     | 50   | 123               | C68H2606-60***J+++ | 50  | 118               | C68H2606-60***H+++ |
| 70.0                   | 10.99                 | 20                     | 55   | 123               | C68H2706-70***J+++ | 55  | 118               | C68H2706-70***H+++ |
| 80.0                   | 12.56                 | 20                     | 60   | 123               | C68H2806-80***J+++ | 60  | 118               | C68H2806-80***H+++ |

- 备注: 1. “-”表示容量偏差。“-”=capacitance tolerance code, J=±5%, K=±10%。  
 2. “\*\*\*”表示引出端代码(见table 1)。“\*\*\*”=terminal form code(refer to table 1)。  
 3. “#”当额定电压为450Vac时,第4~5位是S2。“#”When the rated voltage is 450Vac, the digit 4~5 is S2。  
 4.其它容量、尺寸系列可按用户需要商定。Other values and dimensions available on request.