

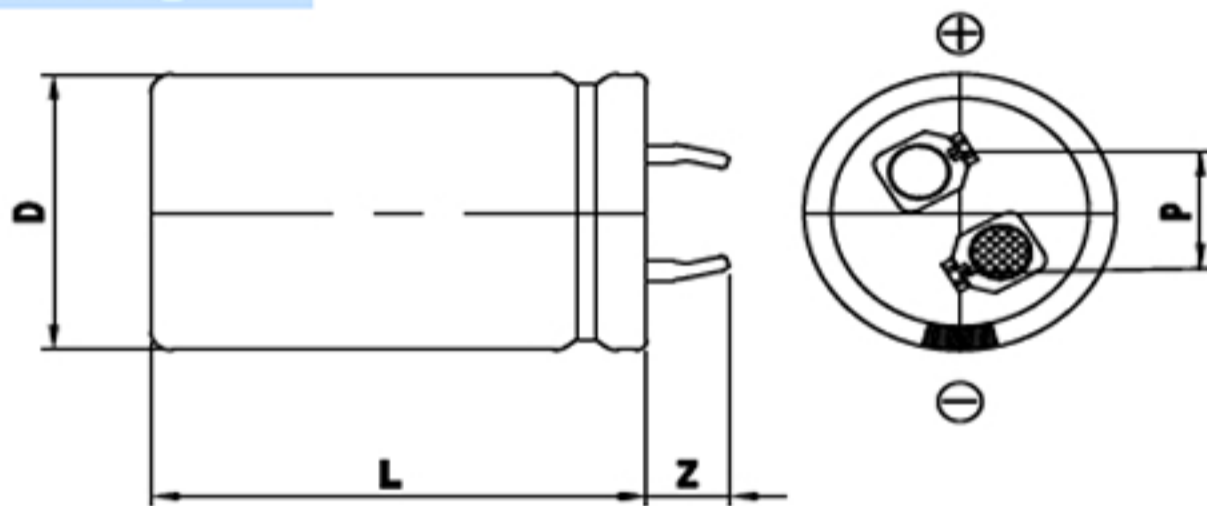
Features

EDLC (Electric Double Layer Capacitor)

- High Power Density (Low ESR)
- Over 500,000 cycle life (semi-permanent)
- Higher energy density compared with 2.7V caps
- RoHS compliant



Drawing



D (Φ)	22 +1.5 Max
L (mm)	45 ±2.0
Z (mm)	6.0 ±1.0
P (mm)	10.0 ±0.2

Specification

Item	Characteristics	
Product series	EDLC	
Rated Voltage (V_R)	3.0V	
Operating Temperature	-40 ~ +65°C	
Capacitance Tolerance	-10 ~ +30%	
High Temperature Load Life	After 1,000 hours at V_R loaded under +65°C, capacitors meet the following criteria.	
	Capacitance Change	≤ 30% of initial value
	ESR	≤ 2 times of specified value
	85°C Temperature	Max. 2.4V
Cycle Life Characteristics	Cycle	Over 500,000
	ΔC	≤ 30% of initial value
	ESR	≤ 2 times of specified value
	Method	Cycle of Charge/discharge from V_R to $1/2V_R$
Shelf Life	3 Years No Electrical Charge, Temperature below 25°C (ΔC : ≤ 10% of initial value / ΔESR : ≤ 50% of specified value)	

Part Number	Rated Voltage (V)	Capacitance (F)	ESR (mΩ)		Max. Current (A)	Leakage Current (mA, 72hr)	Size (mm)
			AC(1kHz)	DC			D x L
VEC 3R0 107 QG	3.0	100	6.0	9.0	78.0	0.300	22 x 45

* Max. Current :1 sec. discharge to $1/2V_R$