

| Features |

- Smaller and lighter than DCLT Series
- Small-sized, large capacity
- Wide operating temperature range up to +85°C(-25~85°C)

| Applications |

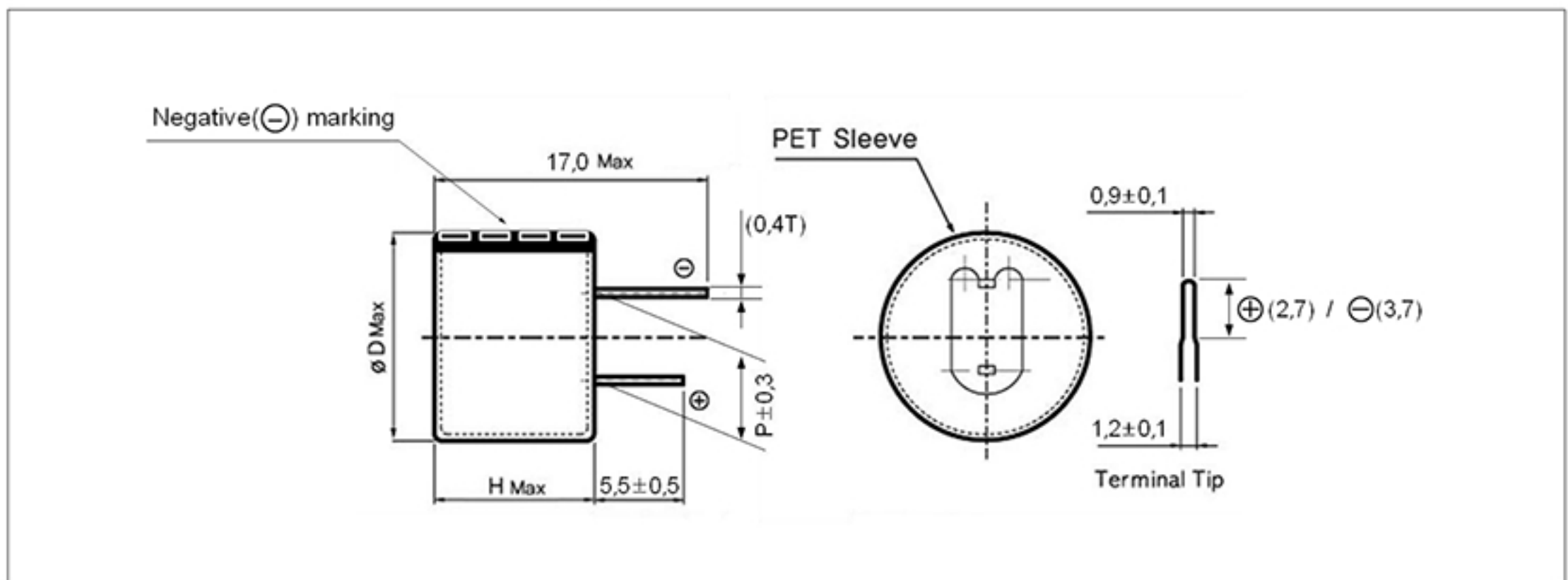
- Memory back-up for Video, Audio, Cameras, CCTV, Printer, Camcorder, Telephones, Car stereo, E-meter, Toy, Computer, Notebook PC, Rice cooker, Home network etc



| Specifications |

| Items | Characteristics |
|---|--|
| Maximum operating voltage | 5.5VDC |
| Operating temperature | -25 to +85°C |
| Nominal Cap. range | 0.1 to 0.33F |
| Capacitance tolerance | -20% to +80%(at 25°C) |
| Characteristics at Low temperature(-25°C) | Capacitance change : $\leq 50\%$ of the initial value at +25°C Internal resistance : Less than five times of the initial value at +25°C |
| Endurance | After 1,000hours application of rated DC working voltage at +85°C, the capacitor shall meet the following limits. <ul style="list-style-type: none"> • Capacitance change : $\pm 30\%$ of the initial value • Internal resistance : Less than four times of the initial value |
| Shelf life | After 1,000hours storage at +85°C without load, the capacitor shall meet the specified limit for "Endurance" |

| Dimensions in mm(not to scale) |



| Standard products |

| Part Number | Operating Voltage (V) | Capacitance (F) | ESR (Ω , @1kHz) | $\Phi D \times H \times P$ (mm) |
|--------------|-----------------------|-----------------|-------------------------|---------------------------------|
| DCST 5R5 104 | 5.5 | 0.10 | ≤ 120 | 13.5×9.5×5.0 |
| DCST 5R5 224 | | 0.22 | ≤ 75 | 13.5×9.5×5.0 |
| DCST 5R5 334 | | 0.33 | ≤ 75 | 13.5×9.5×5.0 |

Note : It is not allowed to go through reflow (IR, Atmosphere heating methods etc.) process