

| Features |

- Smaller and lighter than DCLH Series
- Small-sized, large capacity
- Wide operating voltage range up to 6.3V



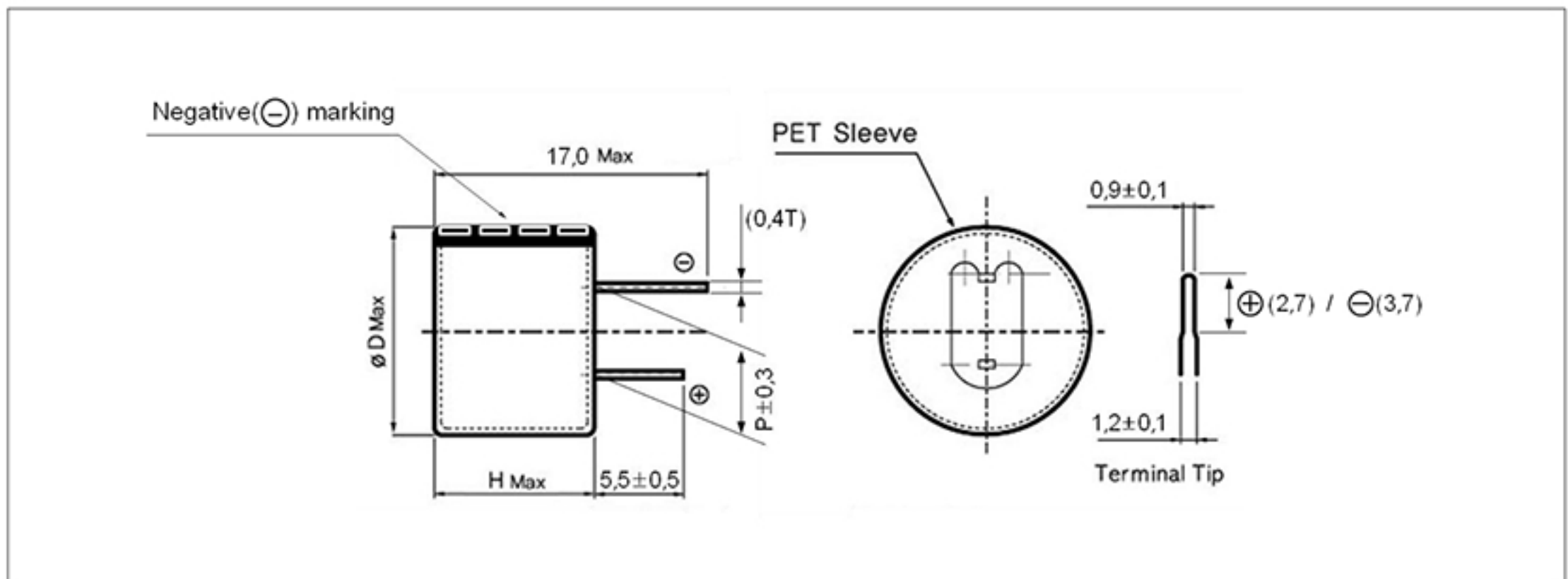
| Applications |

- Memory back-up for Video, Audio, Cameras, CCTV, Printer, Camcorder, Telephones, Car stereo, E-meter, Toy, Computer, Notebook PC, Rice cooker, Home network etc

| Specifications |

Items	Characteristics
Maximum operating voltage	6.3VDC
Operating temperature	-25 to +70°C
Nominal Cap. range	0.1 to 0.33F
Capacitance tolerance	-20% to +80%(at 25°C)
Characteristics at Low temperature(-25°C)	Capacitance change : $\leq 50\%$ of the initial value at +25°C Internal resistance : Less than five times of the initial value at +25°C
Endurance	After 1,000hours application of rated DC working voltage at +70°C, the capacitor shall meet the following limits. <ul style="list-style-type: none"> • Capacitance change : $\pm 30\%$ of the initial value • Internal resistance : Less than four times of the initial value
Shelf life	After 1,000hours storage at +70°C without load, the capacitor shall meet the specified limit for "Endurance"

| Dimensions in mm(not to scale) |



| Standard products |

Part Number	Operating Voltage (V)	Capacitance (F)	ESR (Ω , @1kHz)	$\Phi D \times H \times P$ (mm)
DCSH 6R3 104	6.3	0.10	≤ 120	13.5×9.5×5.0
DCSH 6R3 224		0.22	≤ 75	13.5×9.5×5.0
DCSH 6R3 334		0.33	≤ 75	13.5×9.5×5.0

Note : It is not allowed to go through reflow (IR, Atmosphere heating methods etc.) process