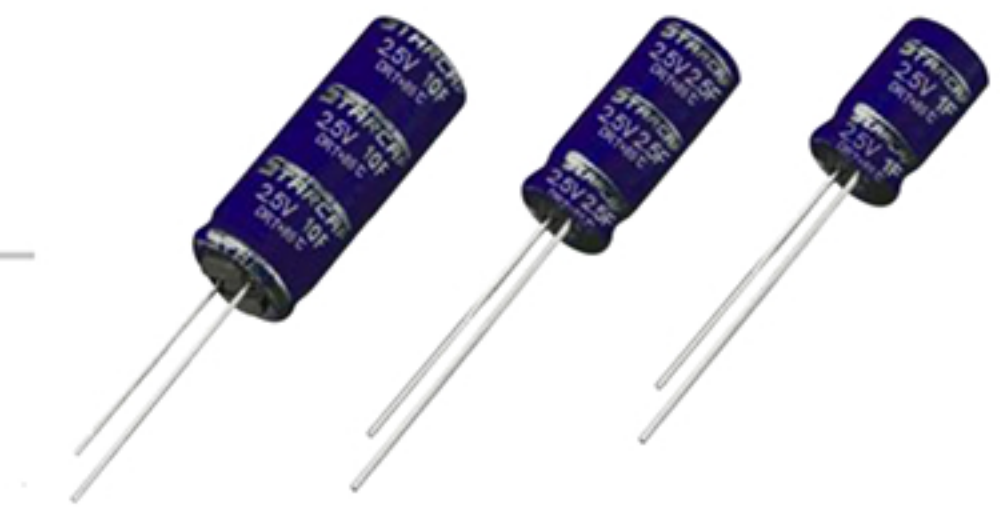


## | Features |

- Wide operating temperature range from **-40°C to +85°C**
- Low ESR and high power
- Pb free and RoHS compliant

## | Application |

- **Automotive applications** such as DVR, Black box
- Smart meters (Electricity, Gas, Water)
- Various motor drive, valve open and close

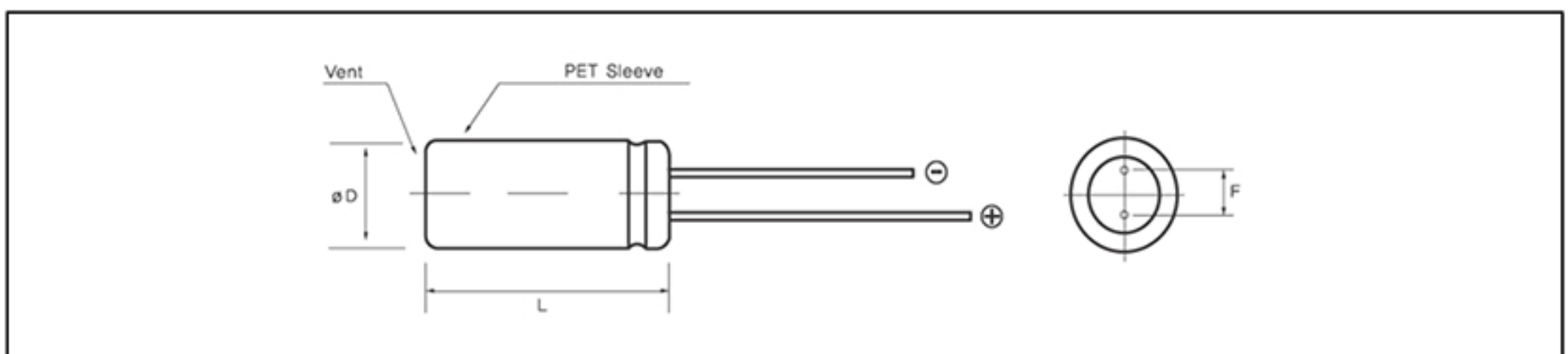


## | Specifications |

Items	Characteristics
Rated voltage	2.5 VDC
Operating temperature	-40 to +85°C
Capacitance	1 to 50F
Capacitance tolerance	-20% to +40% (at 25°C)
Endurance	After 1,000 hours applied with 2.5VDC at +85°C, the capacitor shall meet the following limits. <ul style="list-style-type: none"> <li>• Capacitance change : Within <math>\pm 30\%</math> of initial measured value</li> <li>• ESR : 4 times or less than initial measured value</li> </ul>
Projected Cycle Life*	500,000 Cycles
	1 Cycle : Charge-Discharge between $V_{rated}$ and $1/2V_{rated}$ <ul style="list-style-type: none"> <li>• Capacitance change : <math>\leq 30\%</math> of initial value</li> <li>• Internal resistance change : <math>\leq 100\%</math> of spec. value</li> </ul>
Shelf life	After 1,000hours storage at +65°C without load, the capacitor shall meet the specified limit for "Endurance"

\* Cycle life varies according to the condition of application i.e. charge-discharge condition including current, temperature, voltage range and etc.

## | Shape of Standard Product |



## | Standard Products and Dimensions (not to scale) |

Part number	Operating voltage (V)	Capacitance (F)	ESR ( $\Omega$ , @1kHz)	$\varnothing D \times L$ (mm)	F (mm)
DRT 2R5 105	2.5	1	$\leq 0.200$	$\varnothing 8.0 \times 13.0$	3.5
DRT 2R5 255		2.5	$\leq 0.075$	$\varnothing 8.0 \times 20.0$	3.5
DRT 2R5 505		5	$\leq 0.060$	$\varnothing 10.0 \times 20.0$	5.0
DRT 2R5 705		7	$\leq 0.050$	$\varnothing 10.0 \times 25.0$	5.0
DRT 2R5 106		10	$\leq 0.035$	$\varnothing 10.0 \times 30.0$	5.0
DRT 2R5 156		15	$\leq 0.030$	$\varnothing 12.5 \times 25.0$	5.0
DRT 2R5 226		22	$\leq 0.020$	$\varnothing 16 \times 25.0$	7.5
DRT 2R5 336		33	$\leq 0.018$	$\varnothing 16 \times 35.0$	7.5
DRT 2R5 506		50	$\leq 0.017$	$\varnothing 18 \times 40.0$	7.5