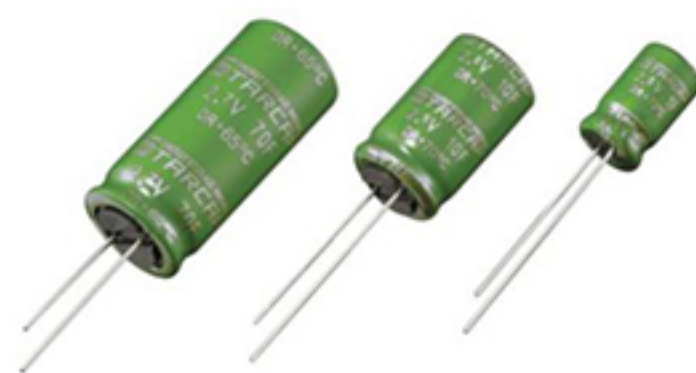


| Features |

- Extremely low leakage current
- Extremely low ESR
- High pulse power

| Application |

- More than 100mA from milli-sec to several-min
- Motor start Power applications, Peak power with battery
- POS system, Handy terminal, Bar-cord scanner, GPS/GPRS Wireless modem

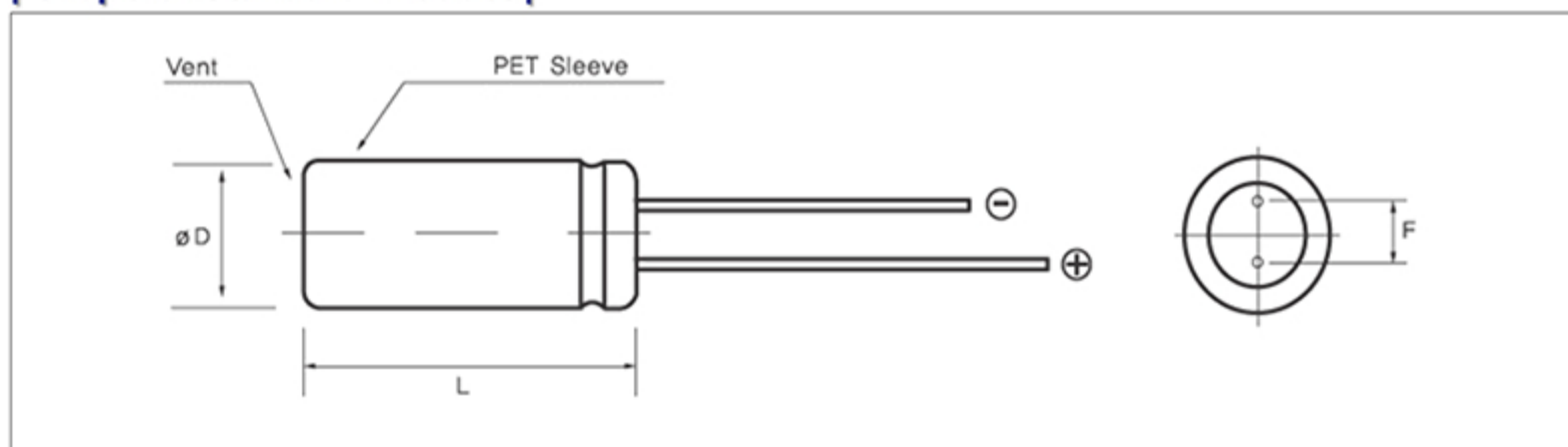


| Specification |

Items	Characteristics	
Rated working voltage	2.5VDC	2.7VDC
Operating temperature	-25to+70°C	-40to +65°C
Nominal Cap. range	1.5F to 30F	
Capacitance tolerance	-20% to +40%(at25°C)	
Endurance	After 1,000 hours Application of rated DC working voltage at +65/70°C, the capacitor shall meet the following limits. <ul style="list-style-type: none"> • Capacitance change : ≤30% of initial value • Internal resistance change : ≤100% of spec. value 	
Projected Cycle Life*	500,000 Cycles	
	1 Cycle : Charge-Discharge between V_{rated} and $1/2V_{rated}$ <ul style="list-style-type: none"> • Capacitance change : ≤30% of initial value • Internal resistance change : ≤100% of spec. value 	
Shelf life	2 Years (Storage in Operating temp. range above for each products without electrical load) <ul style="list-style-type: none"> • Capacitance change : ≤10% of initial value • Internal resistance change : ≤50% of initial value 	

* Cycle life varies according to the condition of application i.e. charge-discharge condition including current, temperature, voltage range and etc.

| Shape of Standard Product |



| Standard products |

Part Number	Operating Voltage (V)	Capacitance (F)	ESR (Ω , @1kHz)	$\varnothing D \times L$ (mm)	F (mm)
HP 2R5 155	2.5	1.5	≤ 0.125	$\varnothing 8 \times 20$	3.5
HP 2R5 205		2	≤ 0.110	$\varnothing 8 \times 25$	3.5
HP 2R5 305		3	≤ 0.090	$\varnothing 10 \times 20$	5.0
HP 2R5 405		4	≤ 0.080	$\varnothing 10 \times 25$	5.0
HP 2R5 555		5.5	≤ 0.050	$\varnothing 12.5 \times 20$	5.0
HP 2R5 805		8	≤ 0.035	$\varnothing 12.5 \times 25$	5.0
HP 2R5 156		15	≤ 0.025	$\varnothing 16 \times 25$	7.5
HP 2R5 206		20	≤ 0.020	$\varnothing 16 \times 35$	7.5
HP 2R5 306		30	≤ 0.015	$\varnothing 18 \times 40$	7.5
HP 2R7 155		2.7	1.5	≤ 0.050	$\varnothing 8 \times 20$
HP 2R7 205	2		≤ 0.045	$\varnothing 8 \times 25$	3.5
HP 2R7 305	3		≤ 0.040	$\varnothing 10 \times 20$	5.0
HP 2R7 405	4		≤ 0.030	$\varnothing 10 \times 25$	5.0
HP 2R7 555	5.5		≤ 0.028	$\varnothing 12.5 \times 20$	5.0
HP 2R7 805	8		≤ 0.024	$\varnothing 12.5 \times 25$	5.0
HP 2R7 156	15		≤ 0.020	$\varnothing 16 \times 25$	7.5
HP 2R7 206	20		≤ 0.018	$\varnothing 16 \times 35$	7.5
HP 2R7 306	30		≤ 0.015	$\varnothing 18 \times 40$	7.5