

K8F/K8F-A

24.1Ø x 91.6 mm / 35.2Ø x 95.0 mm

Ideal for use in electric vehicles charging protection boards



Agency Approvals

Agency	Ampere Rating
Recognized Component for Canada and US	50A - 400A
CCC	50A - 400A

Interrupting Rating

50A - 150A:	100,000 amperes at 800V AC 50,000 amperes at 800V DC
160A - 400A:	100,000 amperes at 800V AC 50,000 amperes at 800V DC

Catalog Number	Ampere Rating (A)	Voltage Rating (V)
K8F / K8F-A 050	50A	800V
K8F / K8F-A 075	75A	
K8F / K8F-A 100	100A	
K8F / K8F-A 125	125A	
K8F / K8F-A 150	150A	
K8F / K8F-A 160	160A	
K8F / K8F-A 175	175A	
K8F / K8F-A 200	200A	
K8F / K8F-A 225	225A	
K8F / K8F-A 250	250A	
K8F / K8F-A 300	300A	
K8F / K8F-A 350	350A	
K8F / K8F-A 400	400A	

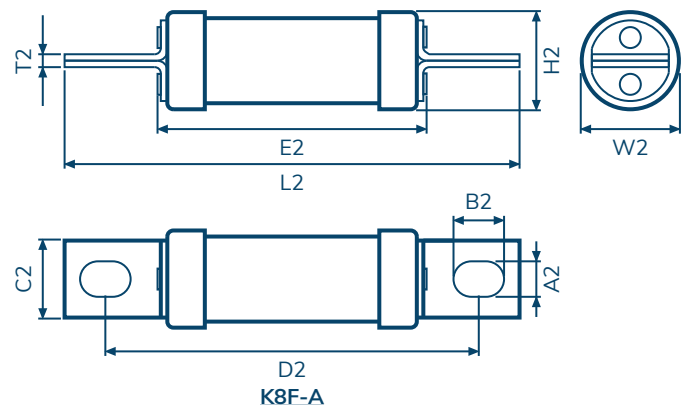
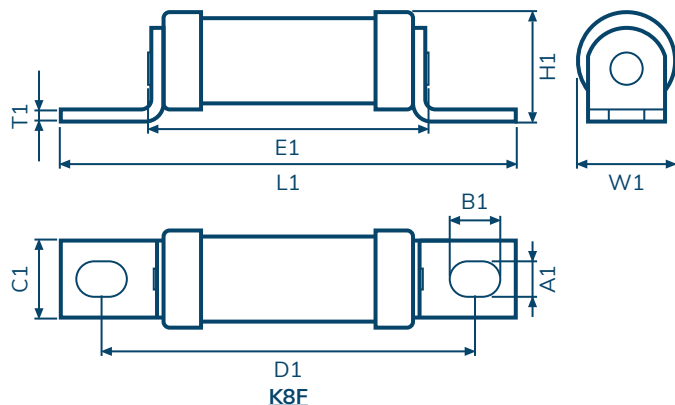
Product Characteristics

Operating Temperature	-55 °C to 125 °C
Material	Body: Ceramic Caps: Tin Plated Copper Terminal: Tin Plated Copper

Packaging

Packaging Option	Quantity	
Bulk	50A-150A: 20 pcs / box	160A-400A: 10 pcs / box

Mechanical Dimensions (mm)



K8F Series	A1	B1	C1	D1	E1	H1	L1	T1	W1
50A - 150A	8.8±1.0	12.4±1.0	19.1±1.0	91.6±3.6	69.0±3.0	27.1±2.0	111.6±3.0	3.0±0.2	24.1±2.0
160A - 400A	10.5±1.0	15.0±1.0	26.0±1.0	95.0±4.5	69.2±3.0	38.2±2.0	117.6±3.0	3.0±0.2	35.2±2.0
K8F-A Series	A2	B2	C2	D2	E2	H2	L2	T2	W2
50A - 150A	8.8±1.0	12.4±1.0	19.1±1.0	91.6±3.6	66.0±3.0	24.1±2.0	111.6±3.0	3.4±0.2	24.1±2.0
160A - 400A	10.5±1.0	15.0±1.0	26.0±1.0	95.0±4.5	69.2±3.0	35.2±2.0	117.6±3.0	6.0±0.2	35.2±2.0