

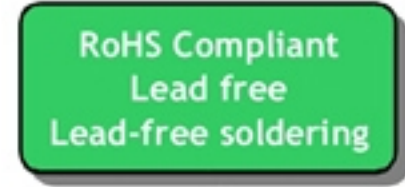
SAW Filter 343.5 MHz

MODEL NO.: TA0188A

REV. NO.:2.0

A. MAXIMUM RATING:

1. Input Power Level: 10 dB_m
2. DC voltage: 0 V
3. Operating Temperature: -10°C to +50°C
4. Storage Temperature: -40°C to +85°C
5. Moisture Sensitivity Level: Level 1 (MSL1)



Electrostatic Sensitive Device

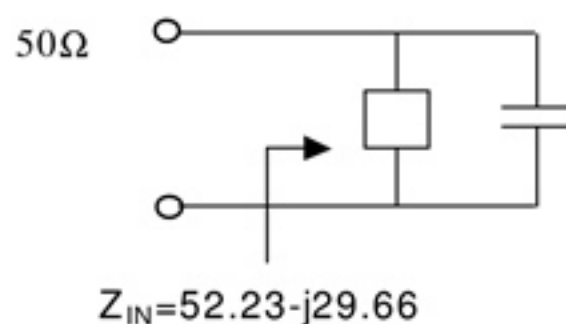
B. ELECTRICAL CHARACTERISTICS:

Characteristics		Min.	Typ.	Max.
Center frequency	Fc (dB)	-	343.5	-
Insertion loss within 341.5 ~345.5 MHz	IL (dB)	-	3.1	4.0
Amplitude ripple (p-p) within 341.5 ~ 345.5 MHz	(dB)	-	0.9	2.0
Attenuation (Reference level from 0 dB)				
Fc - 40 to - 9 MHz	(dB)	30.0	43.0	-
Fc + 9 to + 40 MHz	(dB)	15.0	25.5	-
Fc -100 to -40 MHz	(dB)	50.0	65.0	-
Fc +40 to +100 MHz	(dB)	50.0	68.0	-
Source impedance	Zs (Ω)	-	52.23-j29.66	-
Load impedance	ZL (Ω)	-	52.23-j29.66	-

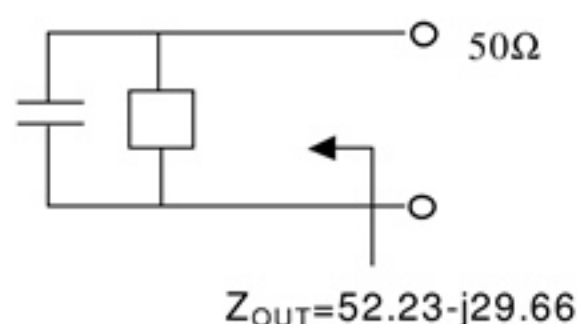
Note1. The standard definitions is in JIS C 6703

Note2.

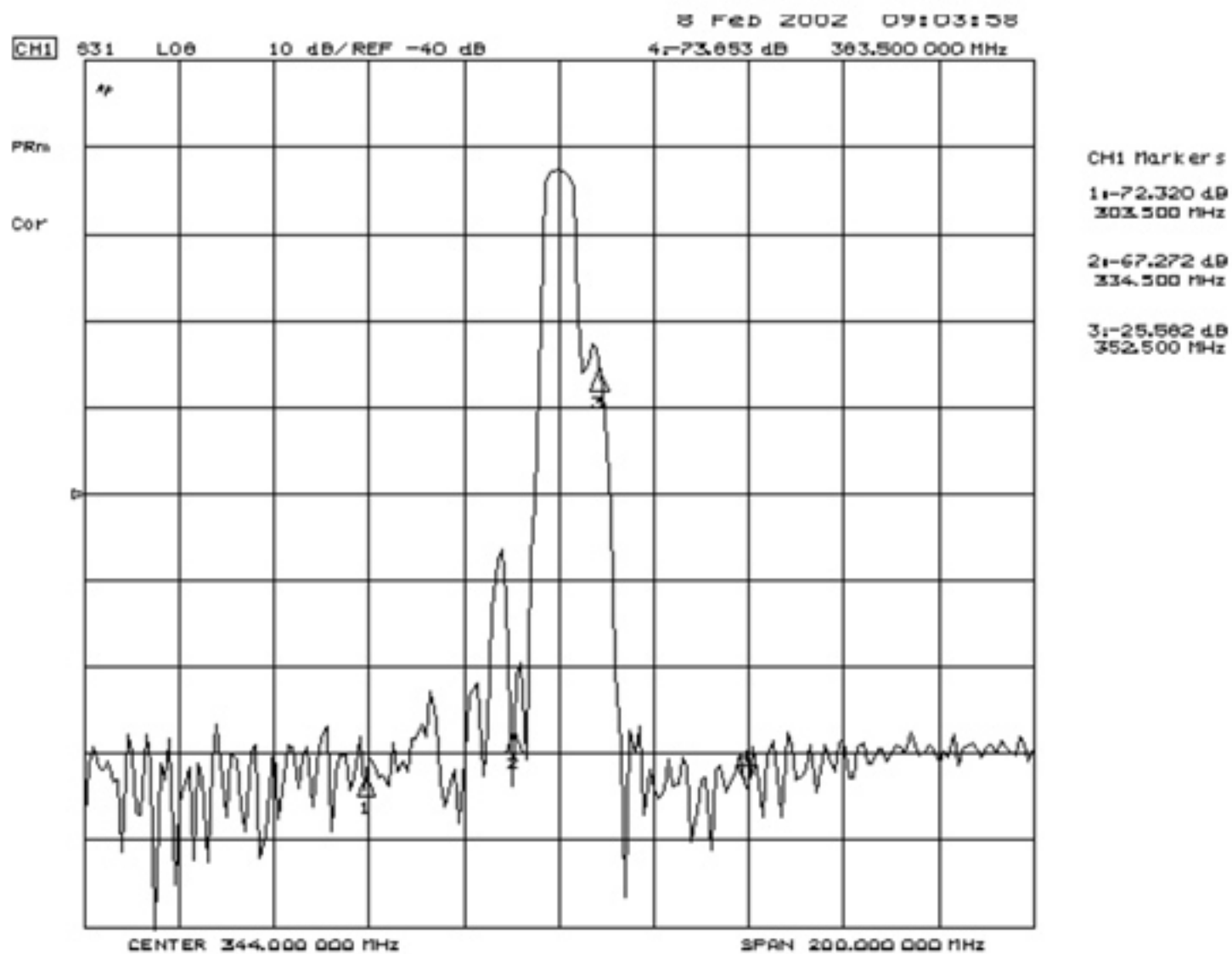
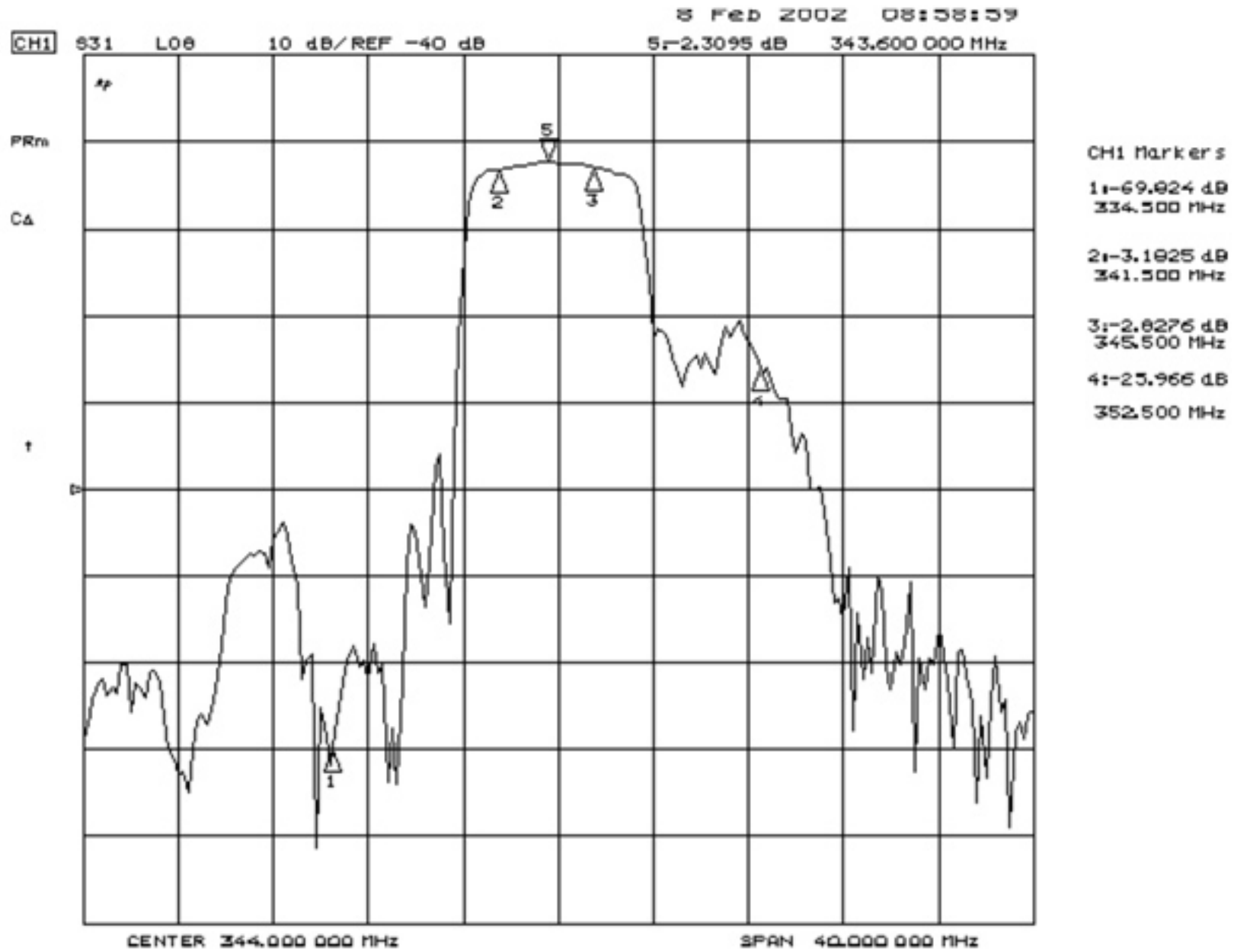
Source impedance



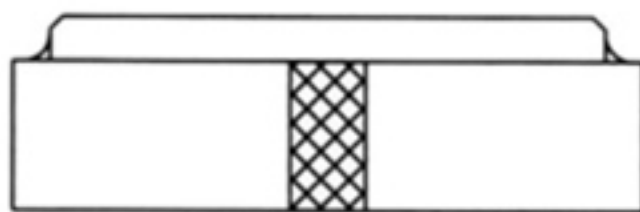
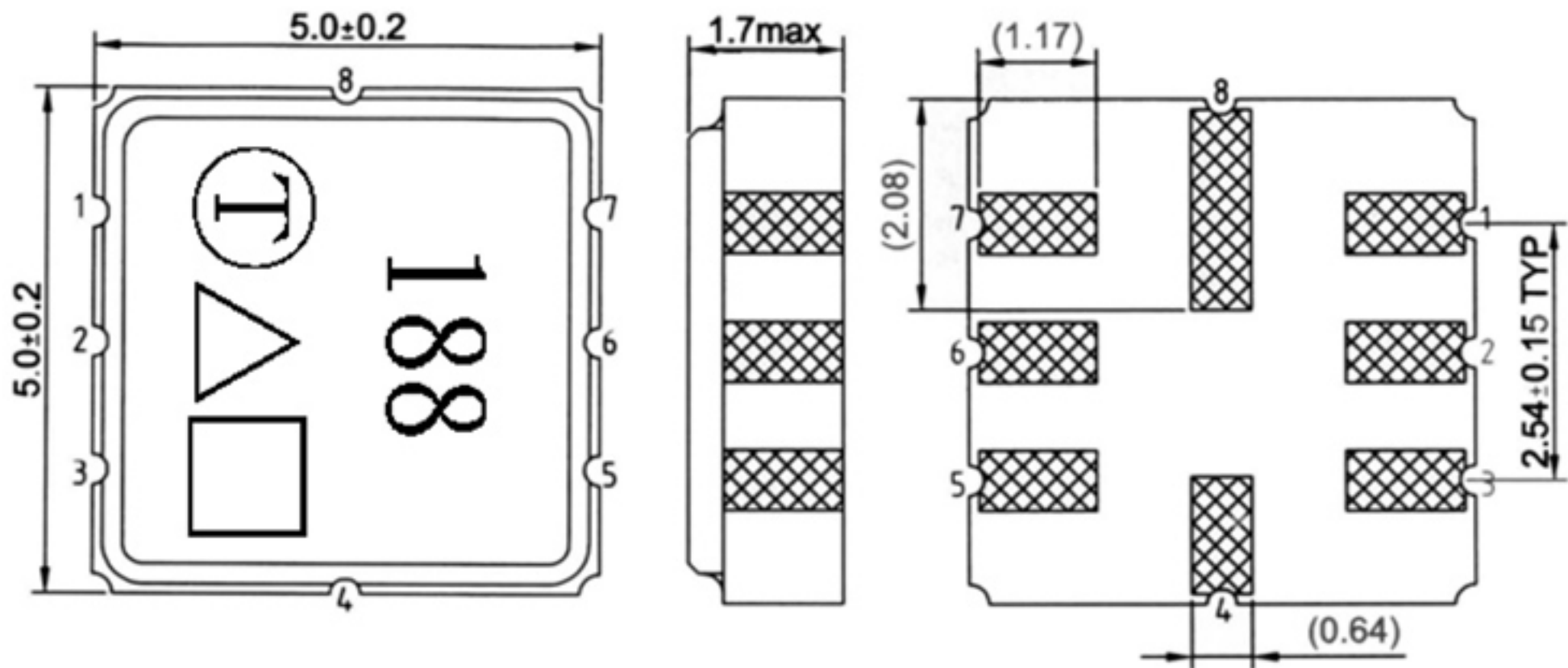
Load impedance



C. Frequency Characteristics :



D. OUTLINE DRAWING:



- #2 : Input
- #6 : Output
- #1、3、5、7 : Ground
- #4、8 : Case Ground
- △ : Year code
- : Date code
- Unit : mm

Product / Year Code- 4year cycle

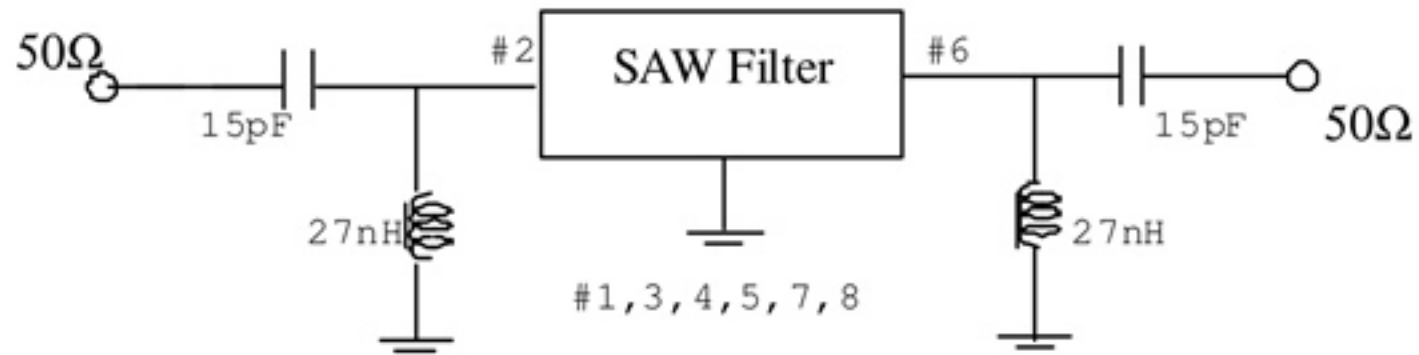
Year	2017 2021	2018 2022	2019 2023	2020 2024
Product Code	A	a	<u>A</u>	<u>a</u>

Week Code Table

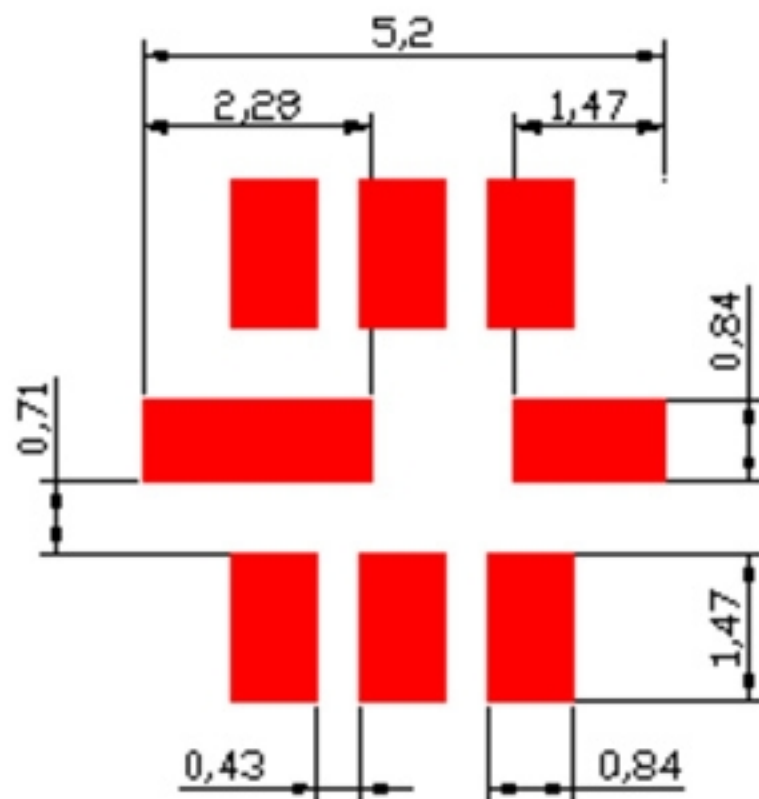
WK01	WK02	WK03	WK04	WK05	WK06	WK07	WK08	WK09	WK10	WK11	WK12	WK13
A	B	C	D	E	F	G	H	I	J	K	L	M
WK14	WK15	WK16	WK17	WK18	WK19	WK20	WK21	WK22	WK23	WK24	WK25	WK26
N	O	P	Q	R	S	T	U	V	W	X	Y	Z
WK27	WK28	WK29	WK30	WK31	WK32	WK33	WK34	WK35	WK36	WK37	WK38	WK39
a	b	c	d	e	f	g	h	i	j	k	l	m
WK40	WK41	WK42	WK43	WK44	WK45	WK46	WK47	WK48	WK49	WK50	WK51	WK52
n	o	p	q	r	s	t	u	v	w	x	y	z

E. MEASUREMENT CIRCUIT:

HP Network analyzer

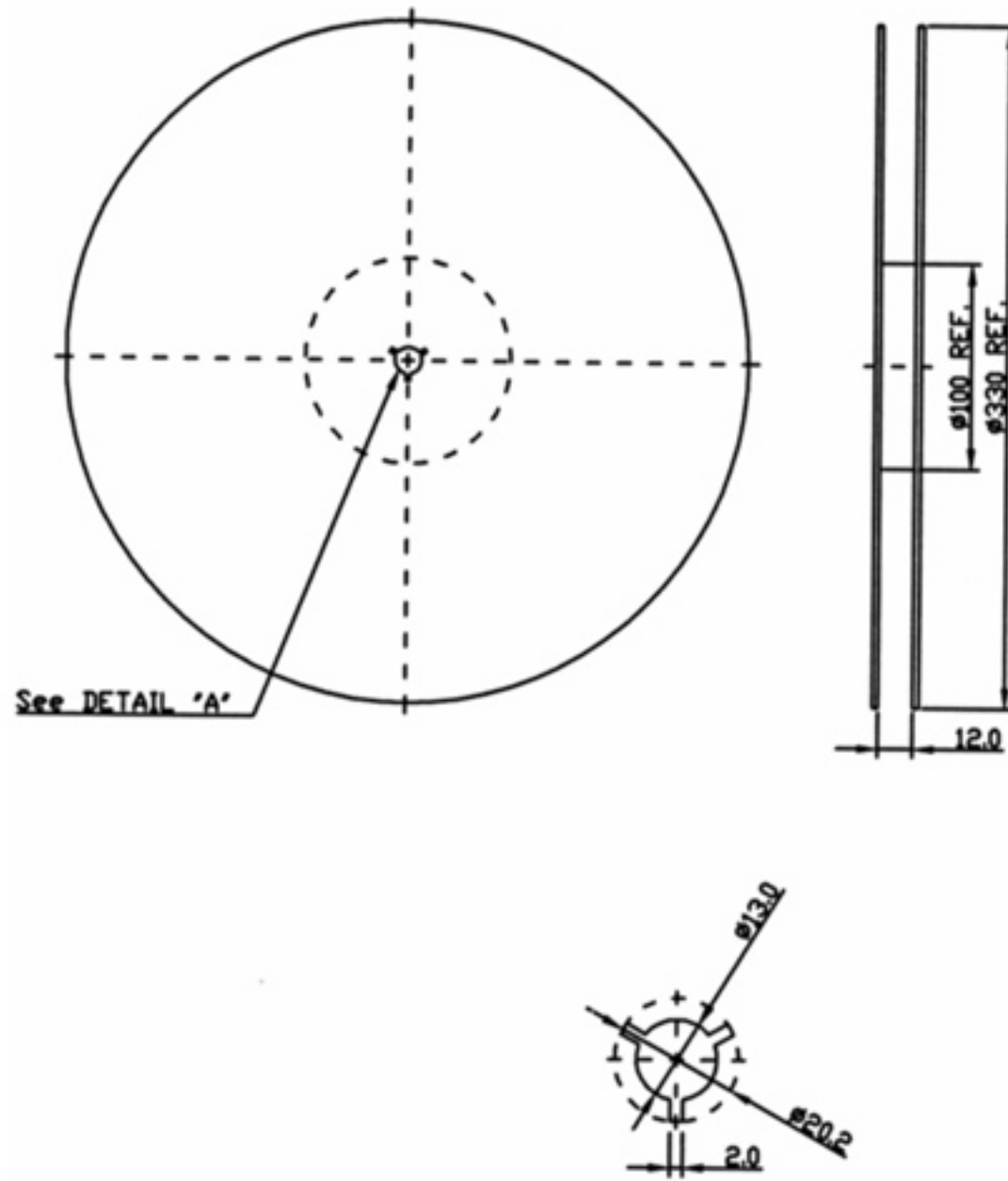


F. PCB FOOTPRINT:

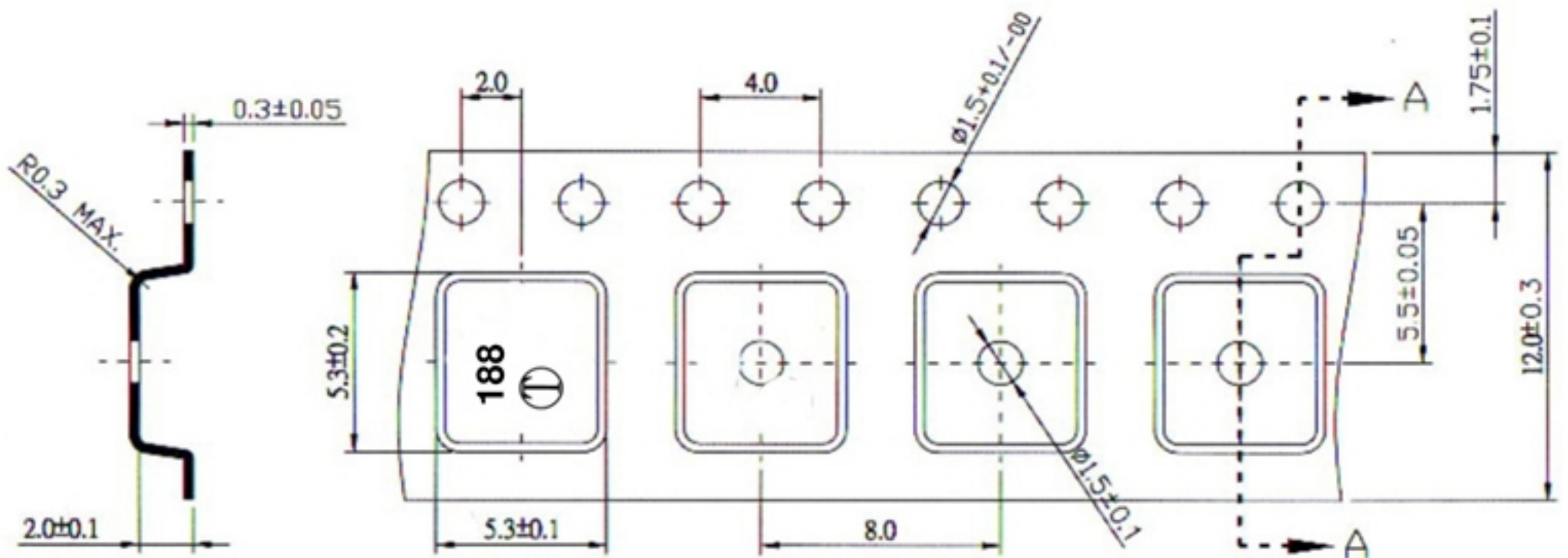


G. PACKING:

1. REEL DIMENSION



2. TAPE DIMENSION



Section A-A

H. RECOMMENDED REFLOW PROFILE:

1. Preheating shall be fixed at 150~180°C for 60~90 seconds.
2. Ascending time to preheating temperature 150°C shall be 30 seconds min.
3. Heating shall be fixed at 220°C for 50~80 seconds and at 260°C +0/-5°C peak (20~40sec).
4. Time: 2 times.

