

SAW Filter 345 MHz

MODEL NO.:TA1717A

REV. 4.0

A. MAXIMUM RATING:

1. Input Power Level: 10 dBm
2. DC Voltage : 3 V
3. Operating Temperature: -40 °C to +125 °C
4. Storage Temperature: -40 °C to +125 °C
5. Moisture Sensitive Level (MSL): Level 1



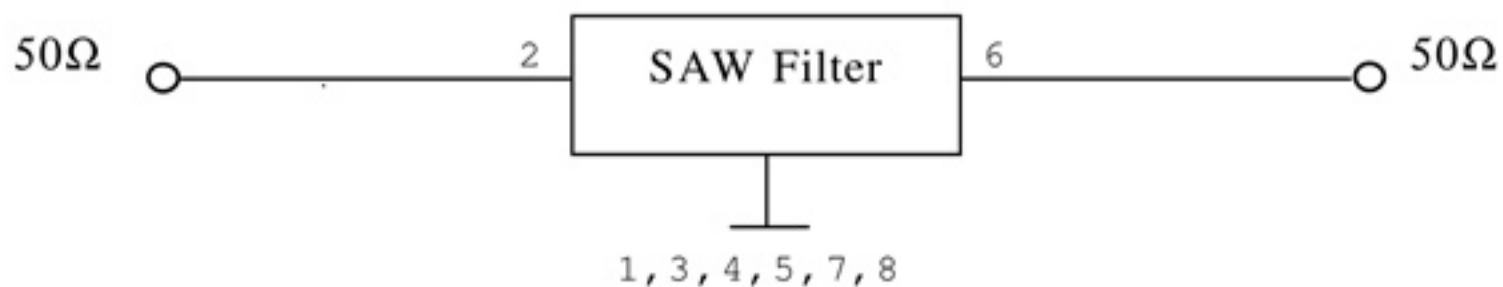
Electrostatic Sensitive Device (ESD)

B. ELECTRICAL CHARACTERISTICS:

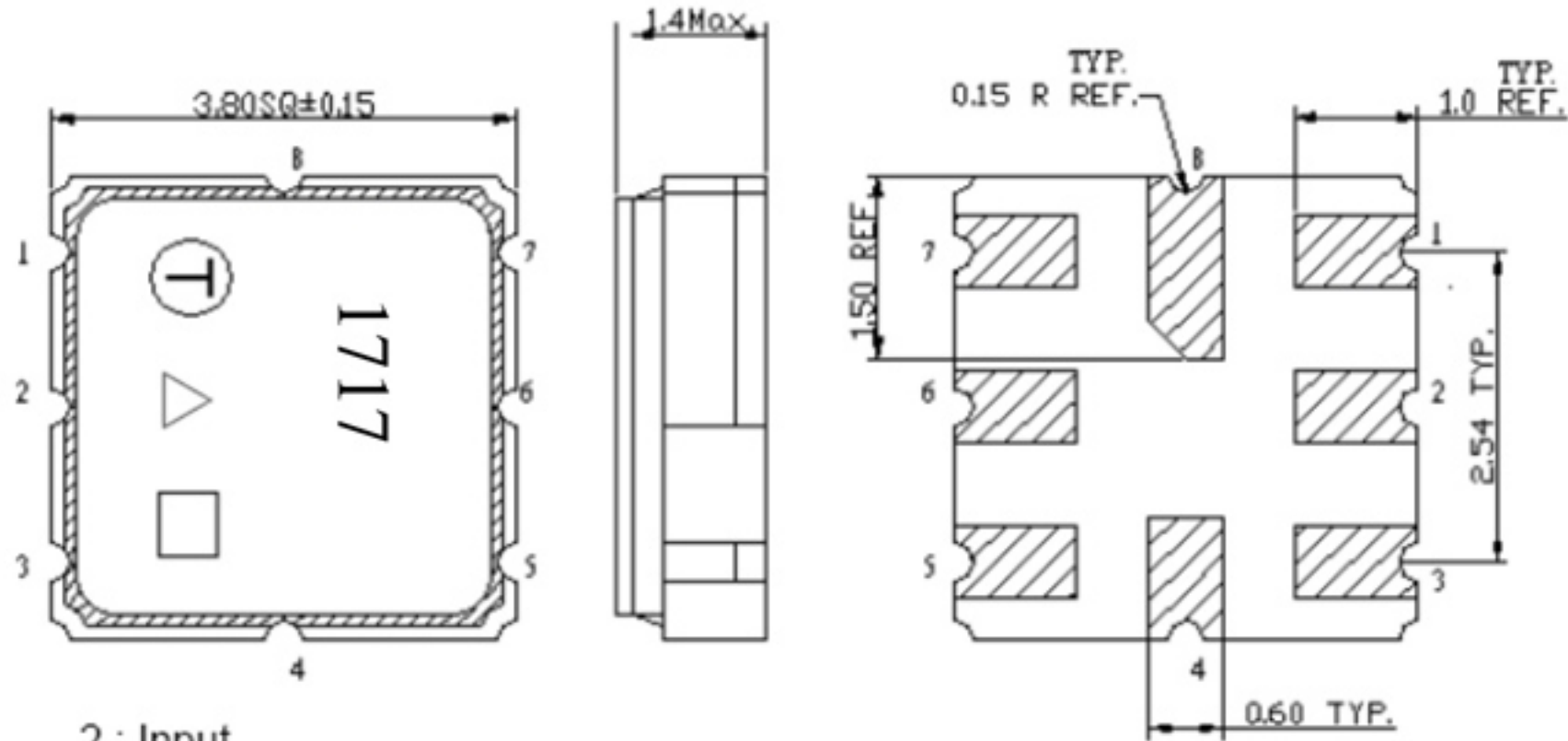
Item		Unit	Min.	Typ.	Max.
Center frequency	Fc	MHz	-	345	-
Insertion Loss (344.6~345.4 MHz)	IL	dB	-	2.3	3.3
Amplitude ripple (344.6~345.4 MHz)		dB	-	0.4	1.3
Attenuation (Reference level from 0)					
10 ~ 320 MHz		dB	50	60	-
320 ~ 325 MHz		dB	50	55	
325 ~ 337 MHz		dB	40	45	
337 ~ 339 MHz		dB	40	45	
351 ~ 358 MHz		dB	13	20	
358 ~ 370 MHz		dB	35	40	-
370 ~ 700 MHz		dB	47	52	-
700 ~ 1000 MHz		dB	40	45	-
Temperature Coefficient of Frequency		Ppm/°C	-	-30	-

C. MEASUREMENT CIRCUIT:

HP Network analyzer



D.OUTLINE DRAWING:



2 : Input

6: Output

1,3,4,5,7,8: Ground

△ : Year Code

□ : Date Code (W01->A, W02->B, ..., W52->z)

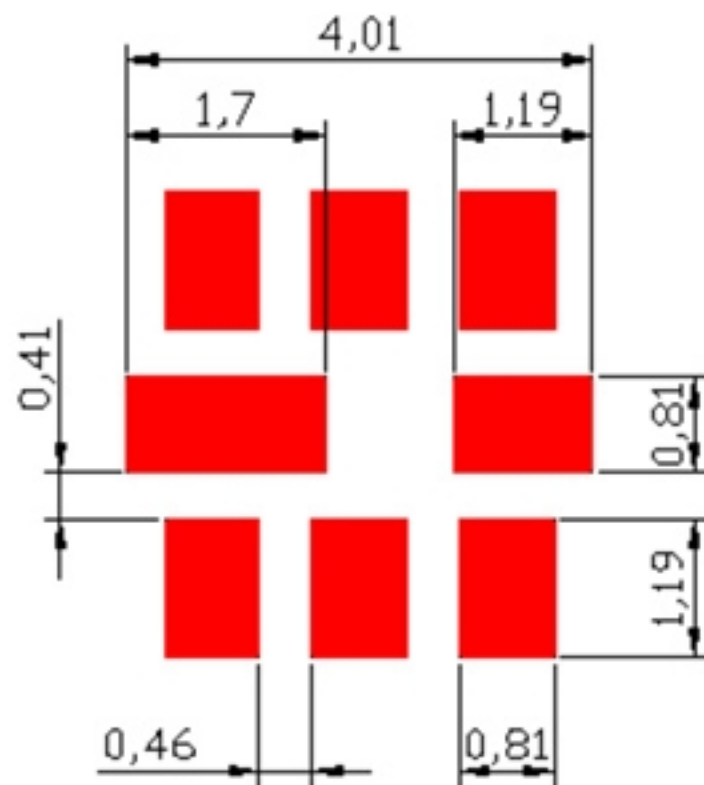
△ Product Year Code

	2019	2020
Year	2021	2022
	2023	2024
	2025	2026
Product Code	A	a

Date Code Table:

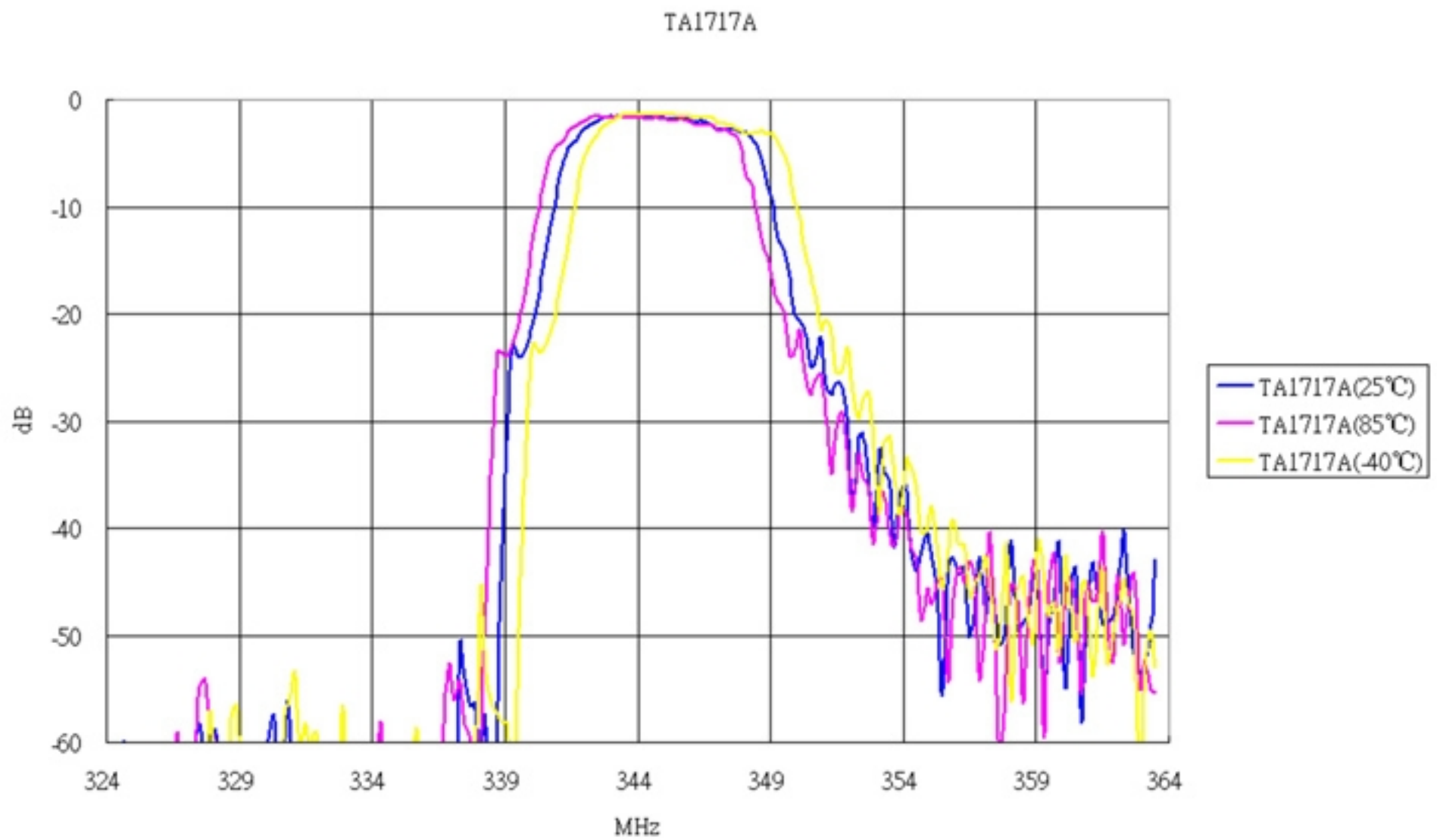
WK01	WK02	WK03	WK04	WK05	WK06	WK07	WK08	WK09	WK10	WK11	WK12	WK13
A	B	C	D	E	F	G	H	I	J	K	L	M
WK14	WK15	WK16	WK17	WK18	WK19	WK20	WK21	WK22	WK23	WK24	WK25	WK26
N	O	P	Q	R	S	T	U	V	W	X	Y	Z
WK27	WK28	WK29	WK30	WK31	WK32	WK33	WK34	WK35	WK36	WK37	WK38	WK39
a	b	c	d	e	f	g	h	i	j	k	l	m
WK40	WK41	WK42	WK43	WK44	WK45	WK46	WK47	WK48	WK49	WK50	WK51	WK52
n	o	p	q	r	s	t	u	v	w	x	y	z

E. PCB Footprint:



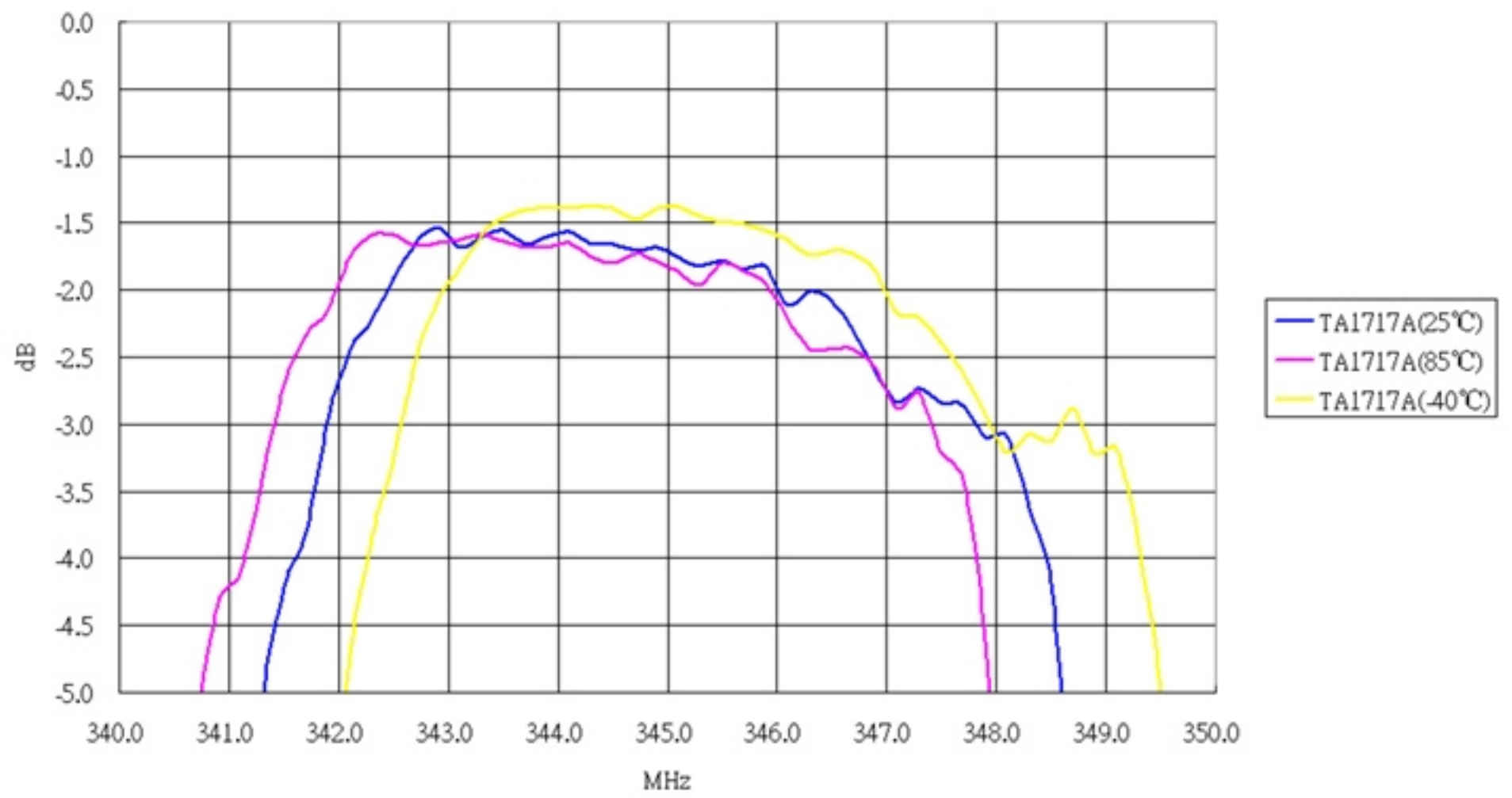
F. Frequency Characteristics:

1 - S21 Measurement : Span 40MHz



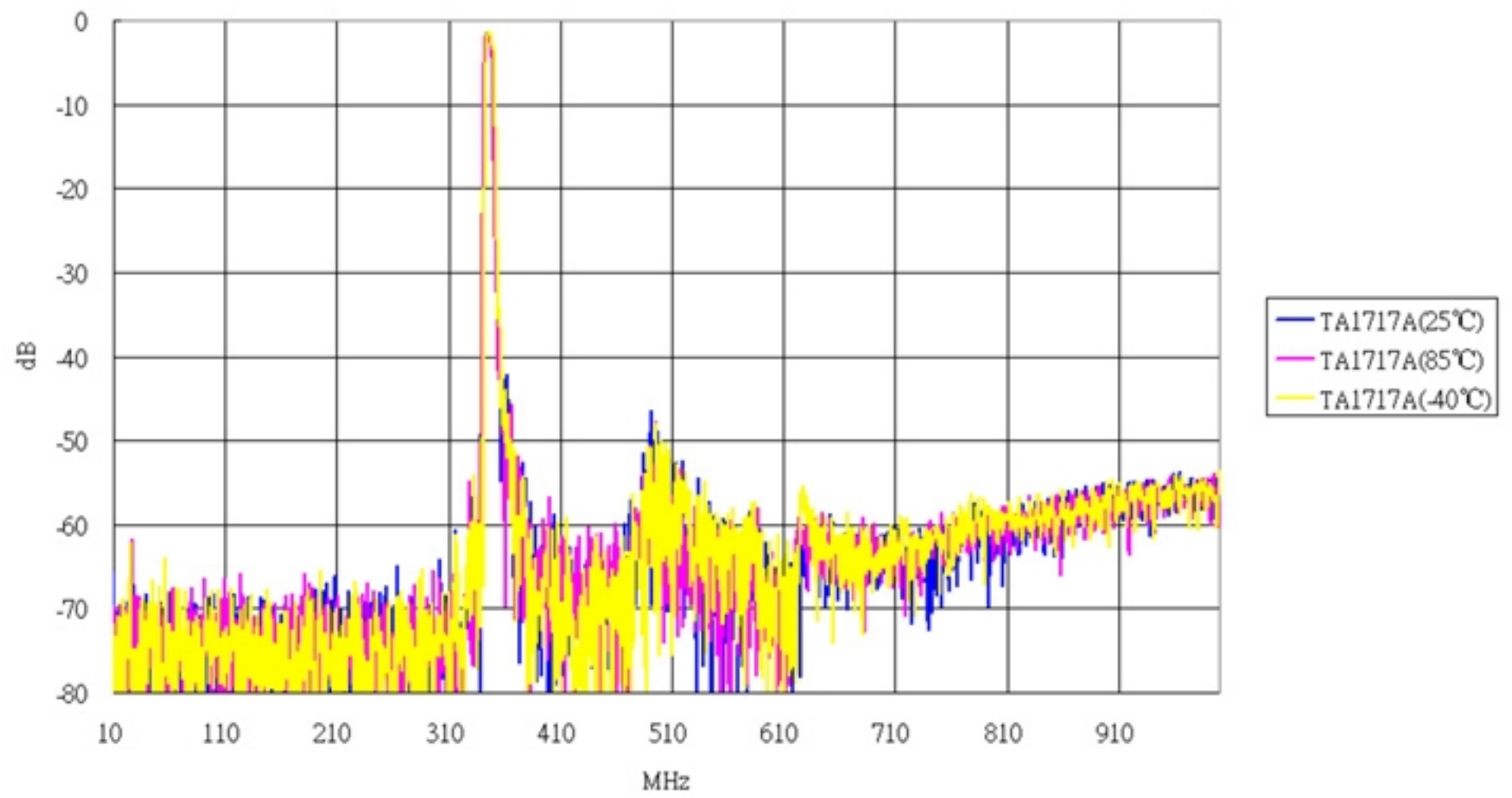
S21 Measurement : Span 10MHz

TA1717A

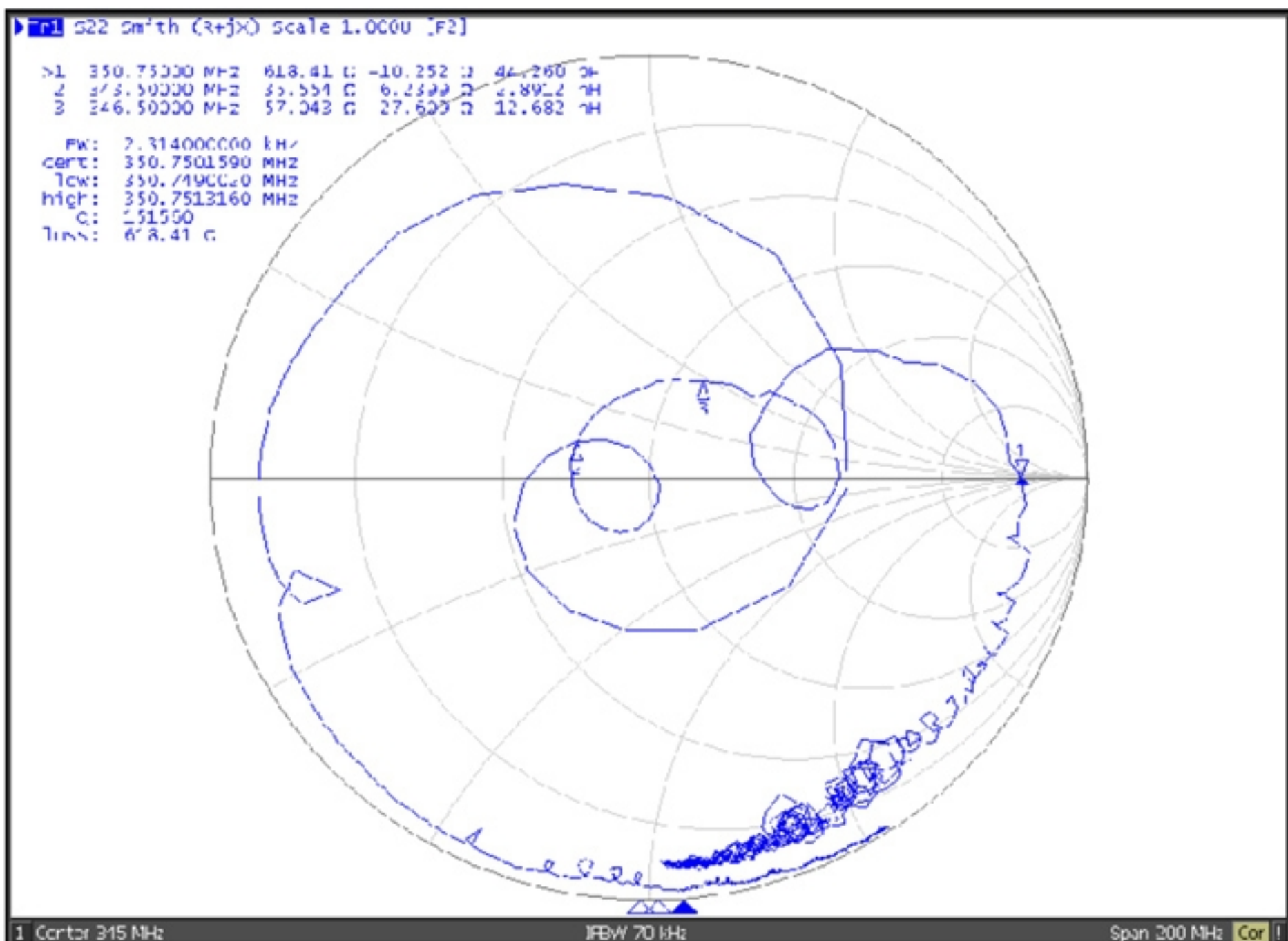
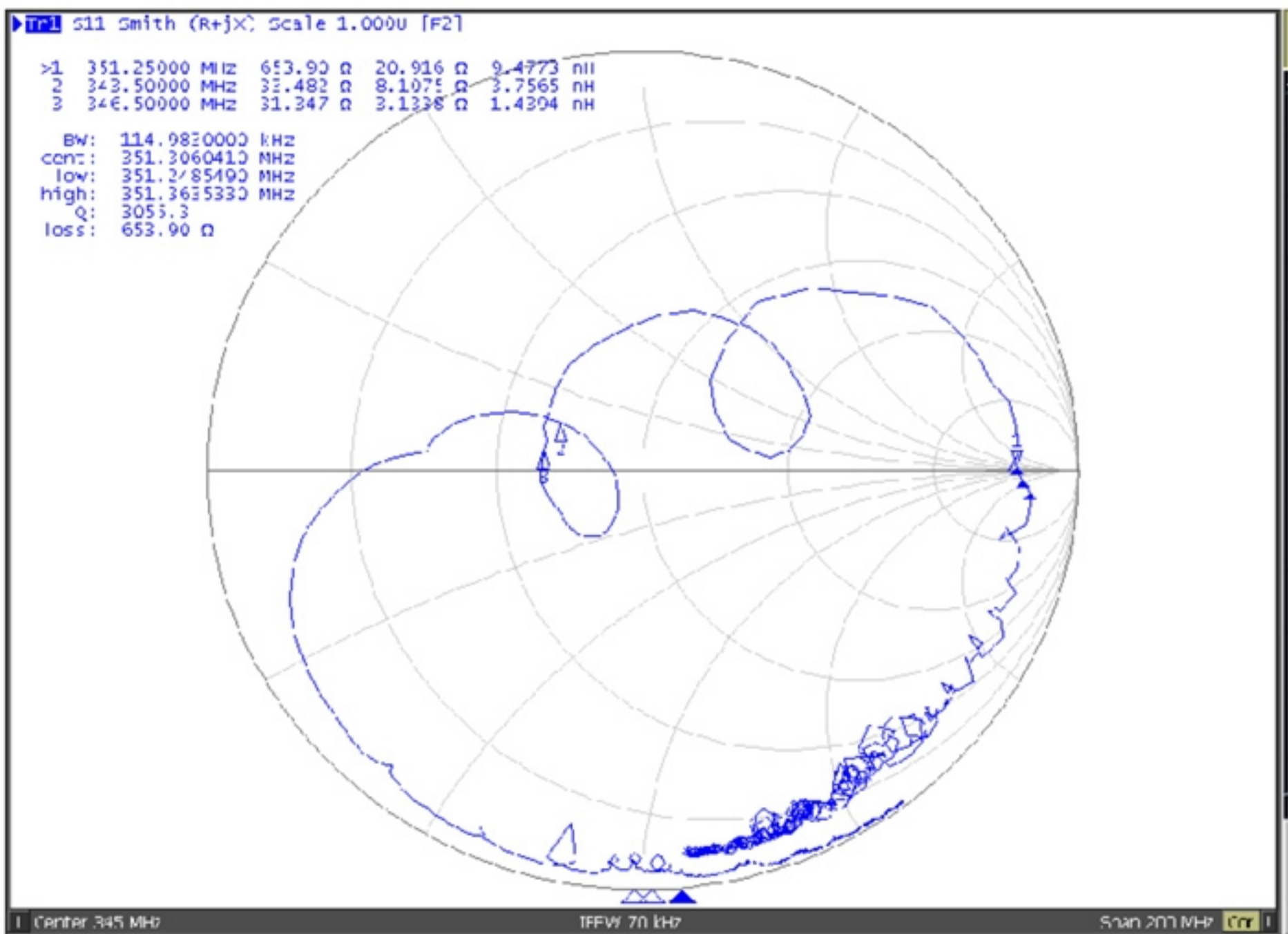


S21 Measurement : Span 1000MHz

TA1717A



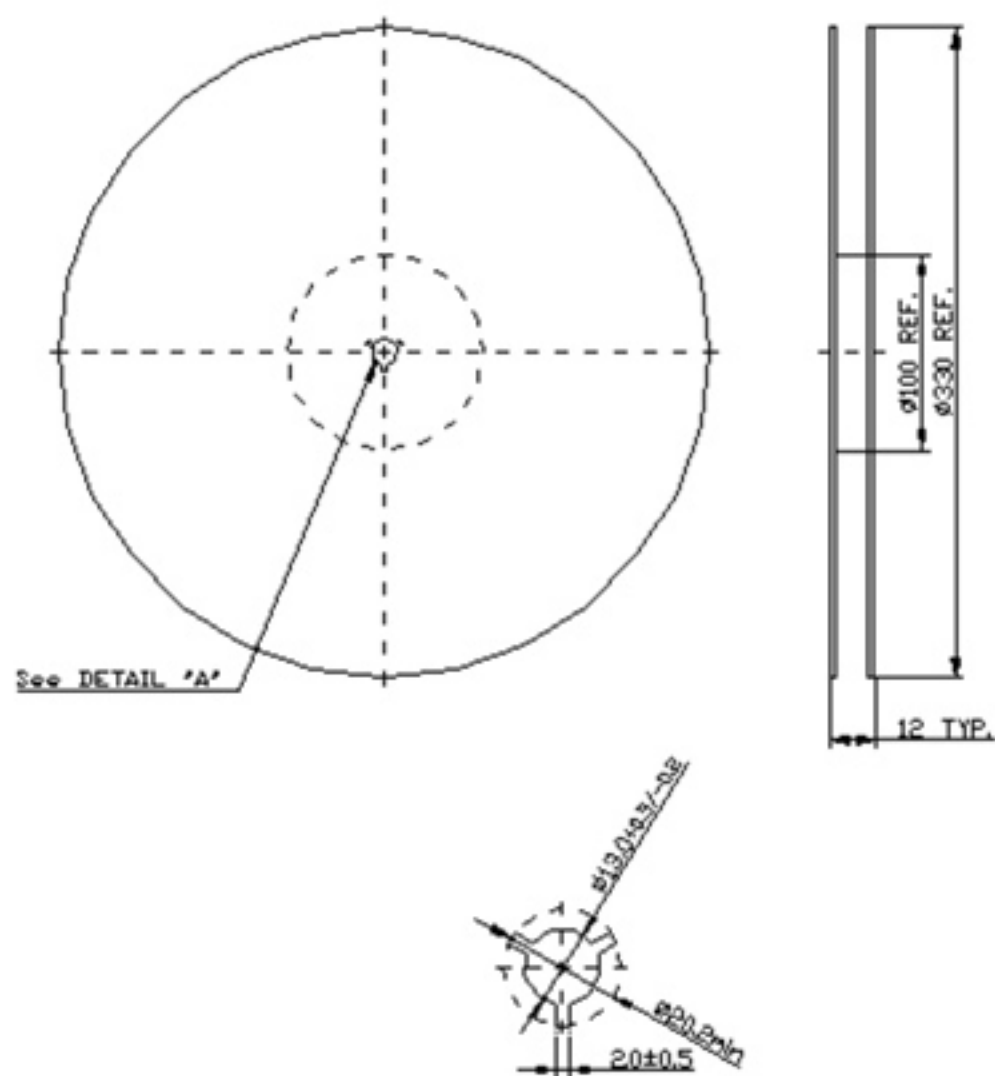
2、S11/S22 Measurement :



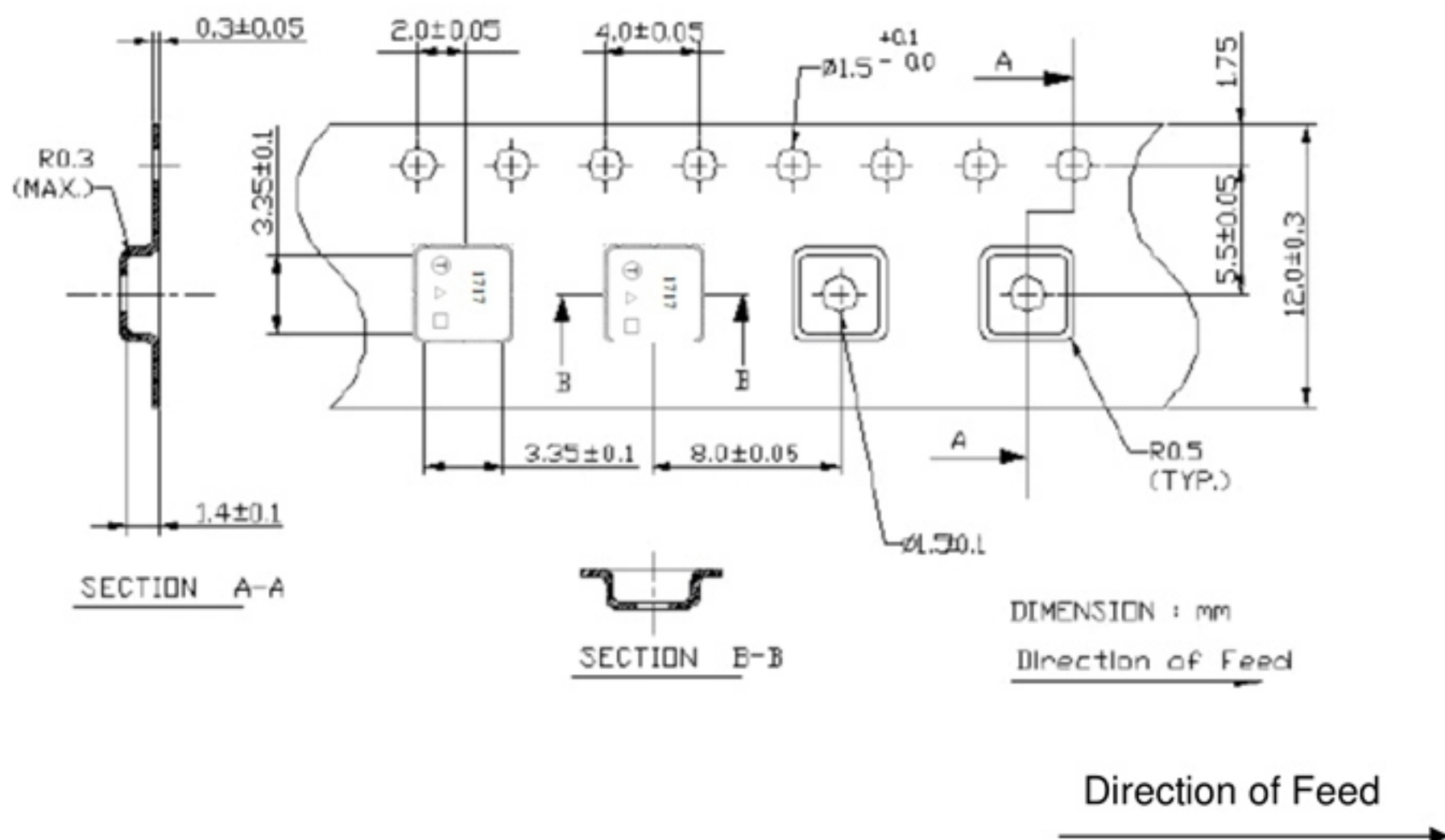
G. PACKING:

1. REEL DIMENSION

(Please refer to FR-75D10 for packing quantity)



2. TAPE DIMENSION



H. RECOMMENDED REFLOW PROFILE :

1. Preheating shall be fixed at 150~180°C for 60~90 seconds.
2. Ascending time to preheating temperature 150°C shall be 30 seconds min.

3. Heating shall be fixed at 220°C for 50~80 seconds and at $260^{\circ}\text{C} \pm 5^{\circ}\text{C}$ peak (20~40sec).
4. Time: 2 times.

