

SAW Filter 403.5 MHz

MODEL NO.: TA1376A

Rev.4.0

A. MAXIMUM RATING:

1. Input Power Level: 10 dBm
2. DC Voltage : 3 V
3. Operating Temperature: -40 °C to +85 °C
4. Storage Temperature: -40 °C to +85 °C
5. Moisture Sensitive Level: Level 1 (MSL 1)

RoHS Compliant
Lead free
Lead-free soldering

Electrostatic Sensitive Device (ESD)

B. ELECTRICAL CHARACTERISTICS:

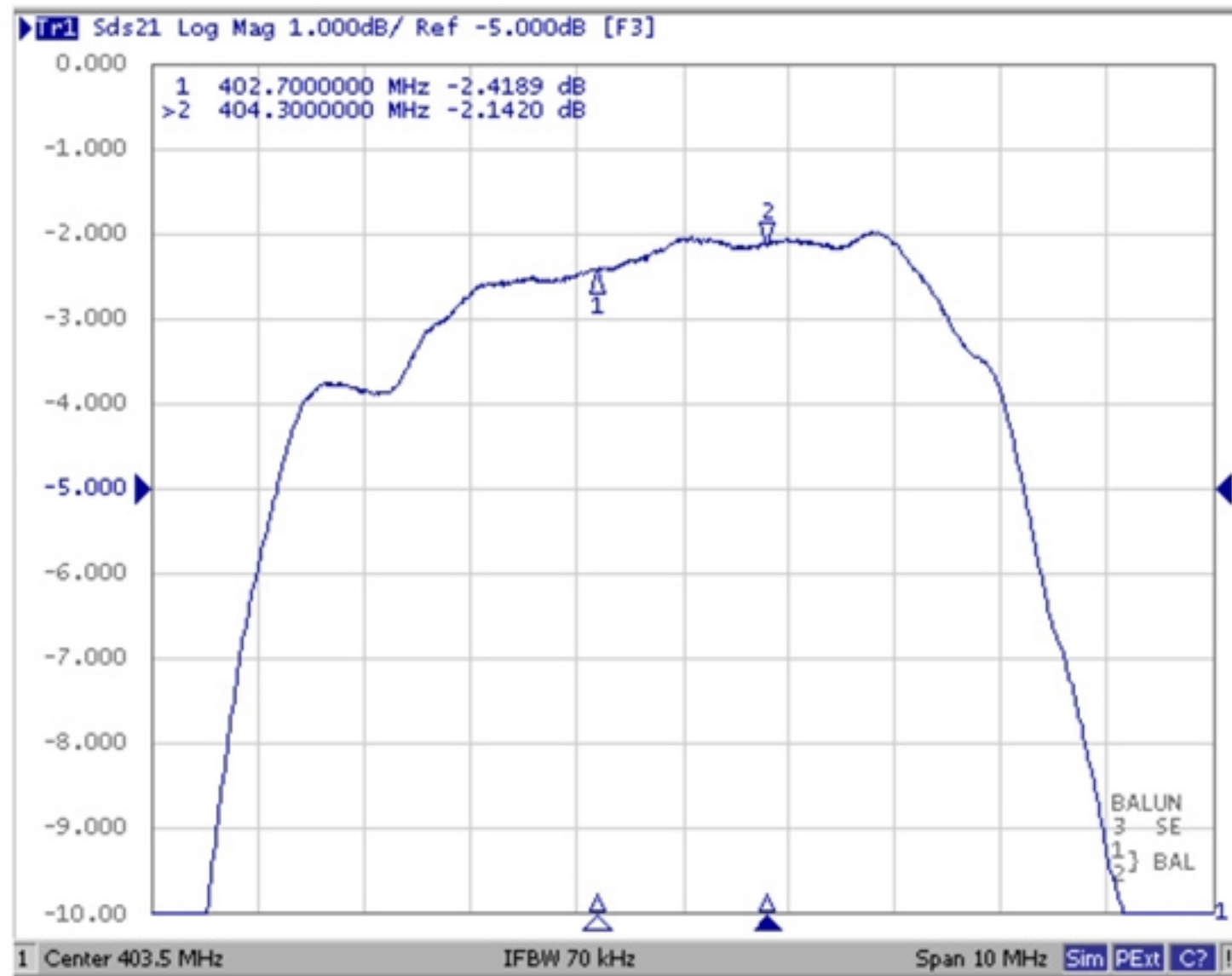
Terminating source impedance: $Z_s = 50 \Omega$

Terminating load impedance: $Z_L = 200 \Omega$

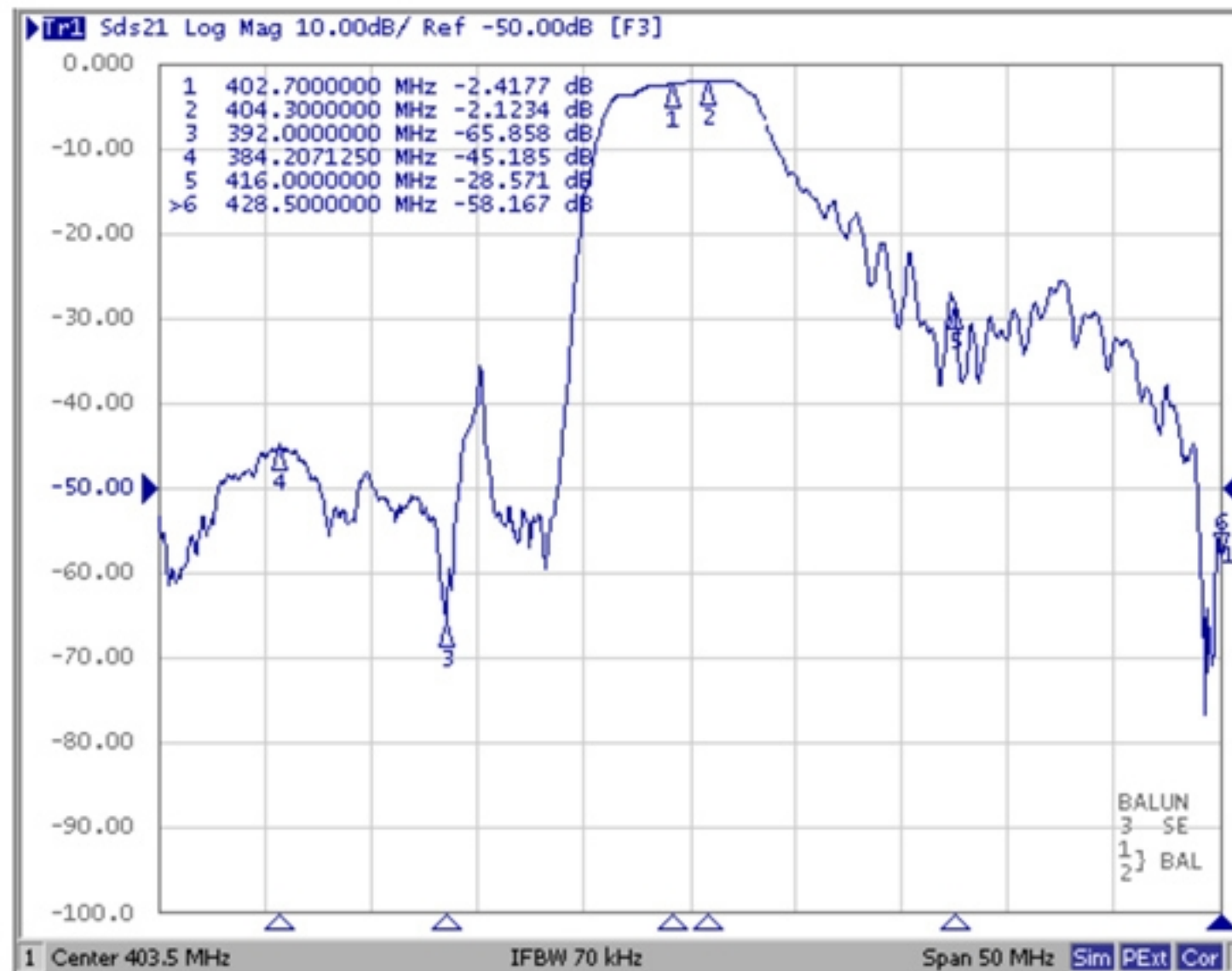
Item	Unit	Min.	Typ.	Max.
Center Frequency F_c	MHz	402.8	403.2	403.7
Insertion Loss (402.7~404.3 MHz) IL	dB	-	2.4	2.8
VSWR (402.7~404.3 MHz)	-	-	1.5	2.0
Amplitude Ripple (402.7~404.3 MHz)	dB	-	0.36	1.0
Attenuation (Reference level from 0 dB)				
10 ~ 350 MHz	dB	45	51	-
350 ~ 392 MHz	dB	42	45	-
416 ~ 430 MHz	dB	25	28	-
430 ~ 650 MHz	dB	50	58	-
650 ~ 1000 MHz	dB	42	52	-
Package size	mm	SMD 2.5x2.0		
Temperature Coefficient of Frequency	ppm/°C	-36		

C.FREQUENCY CHARACTERISTICS:

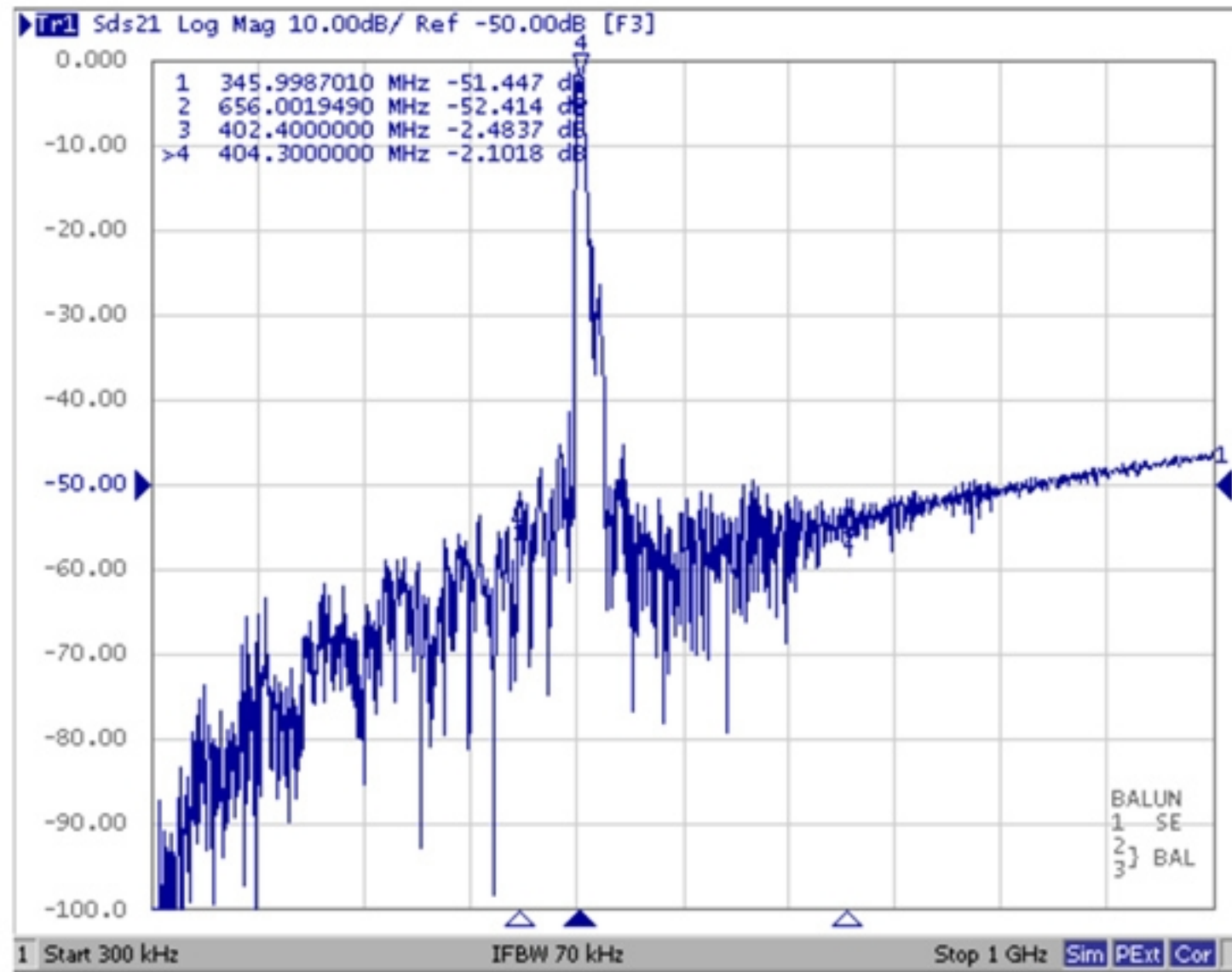
S21 Pass-band response: (span 10MHz)



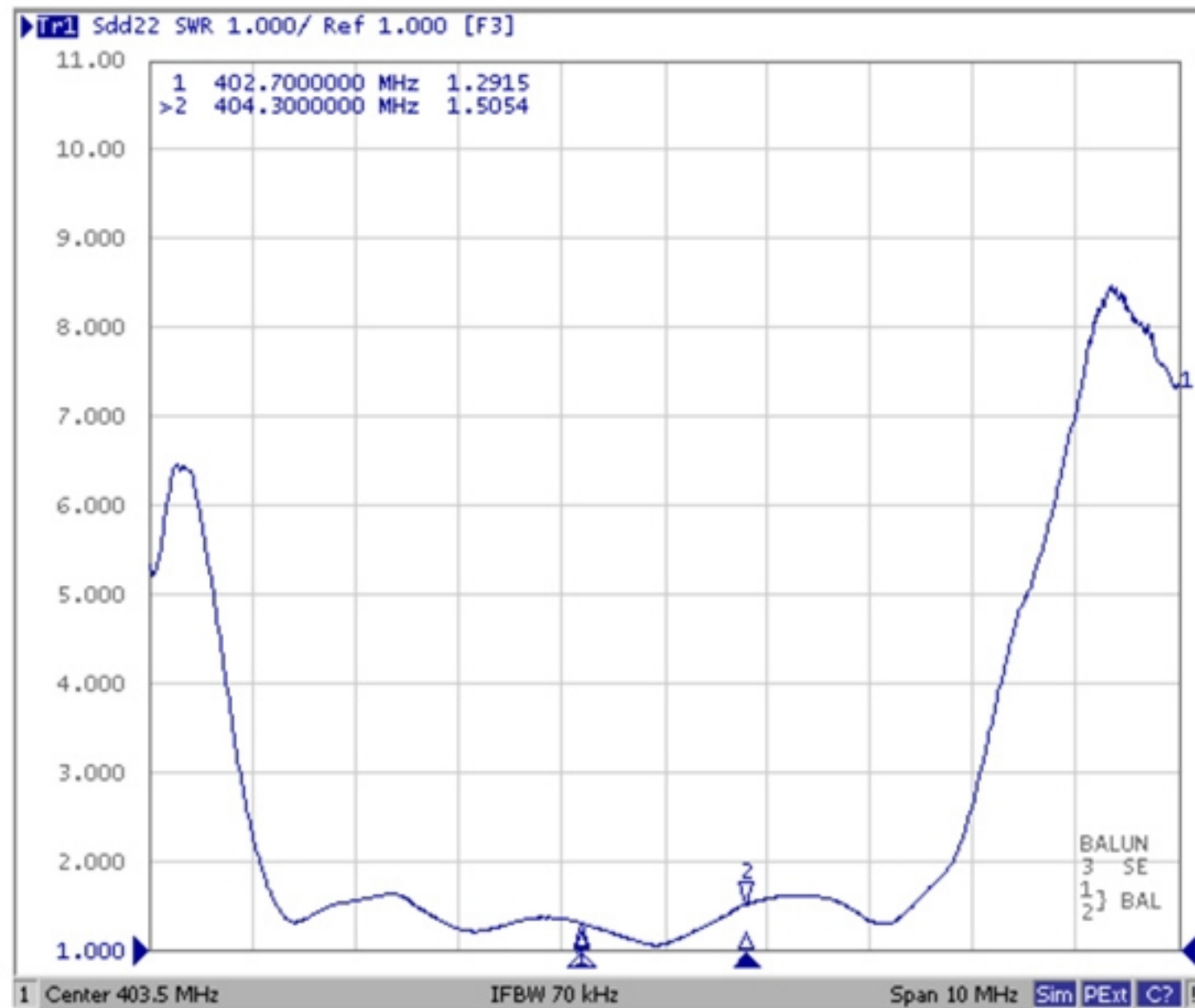
S21 response: (span 50MHz)



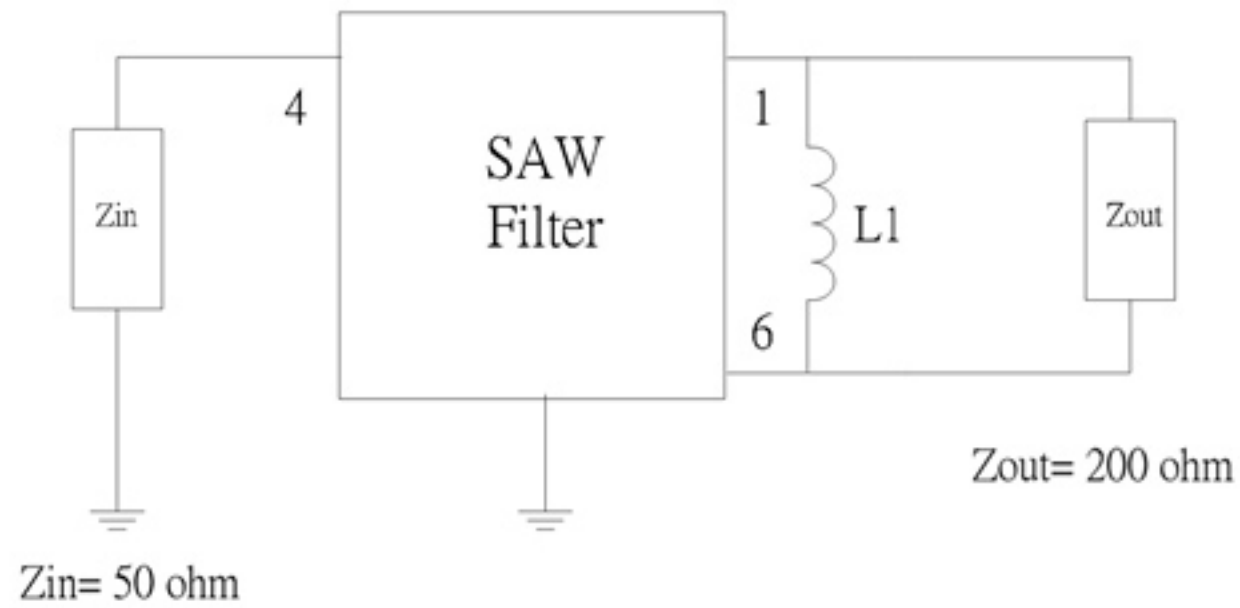
S21 response: (span 1GHz)



VSWR

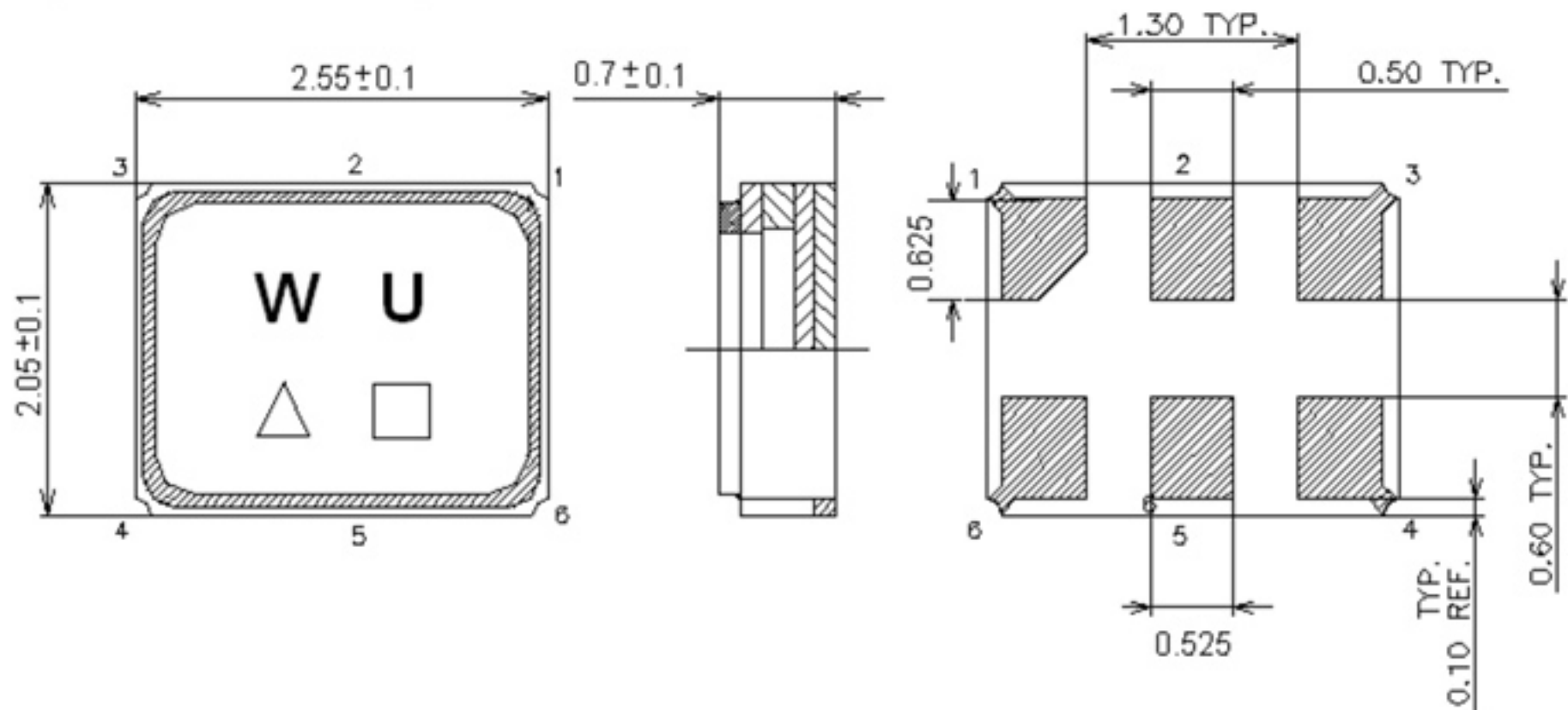


D. MEASUREMENT CIRCUIT:



$$L1 = 150 \text{ nH}$$

E. OUTLINE DRAWING:



* All tolerance are 0.10um

Pin 4: RF input

Pin 1, 6: RF balanced output

Pin 2, 3, 5: Ground

△ : Year Code (2009->9, 2010->0, ..., 2018->8)

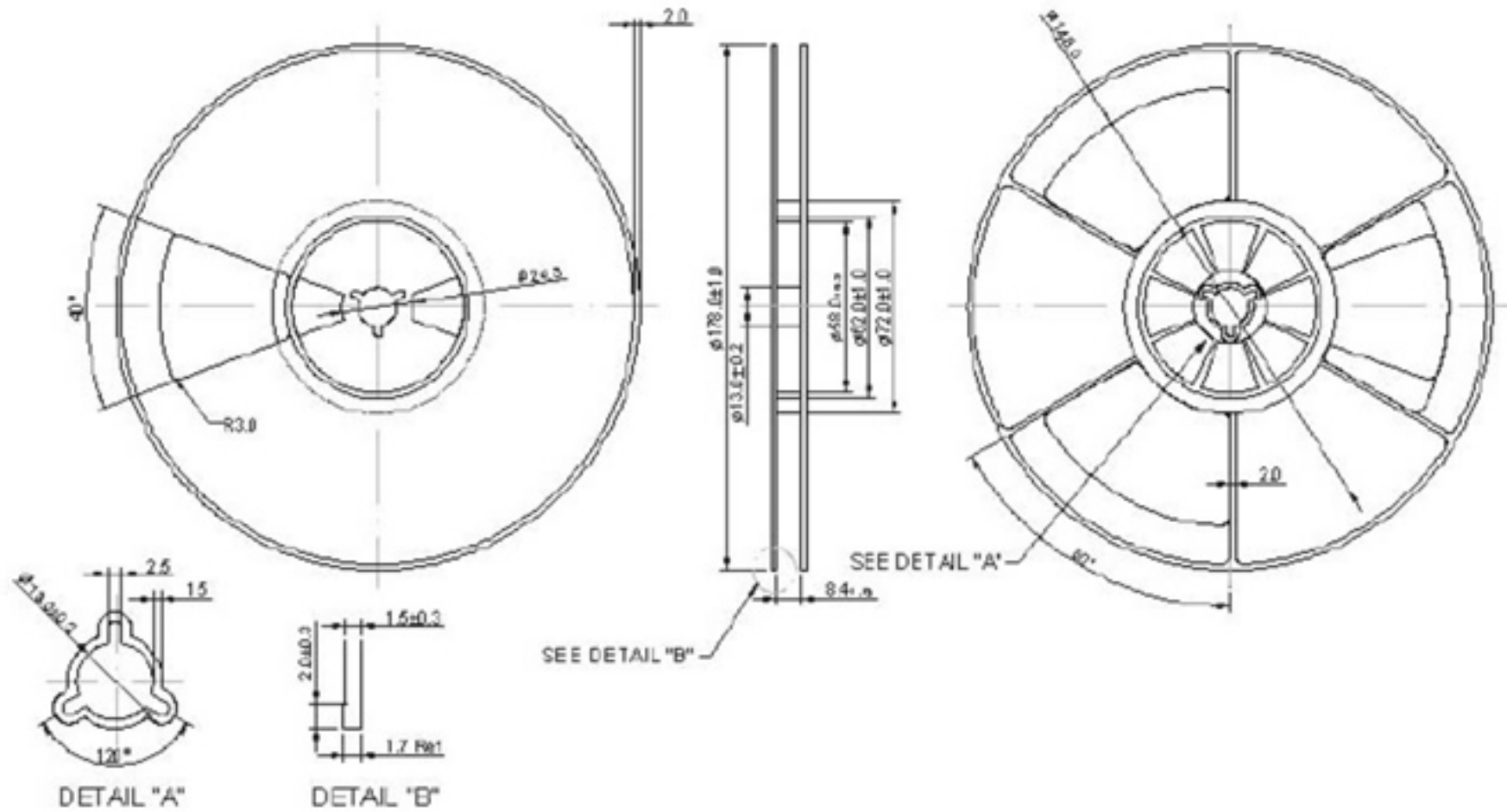
□ : Date Code (W01->A, W02->B, ..., W27->a, ..., W52->z)

F. PACKING: (Ref: WI-75M03)

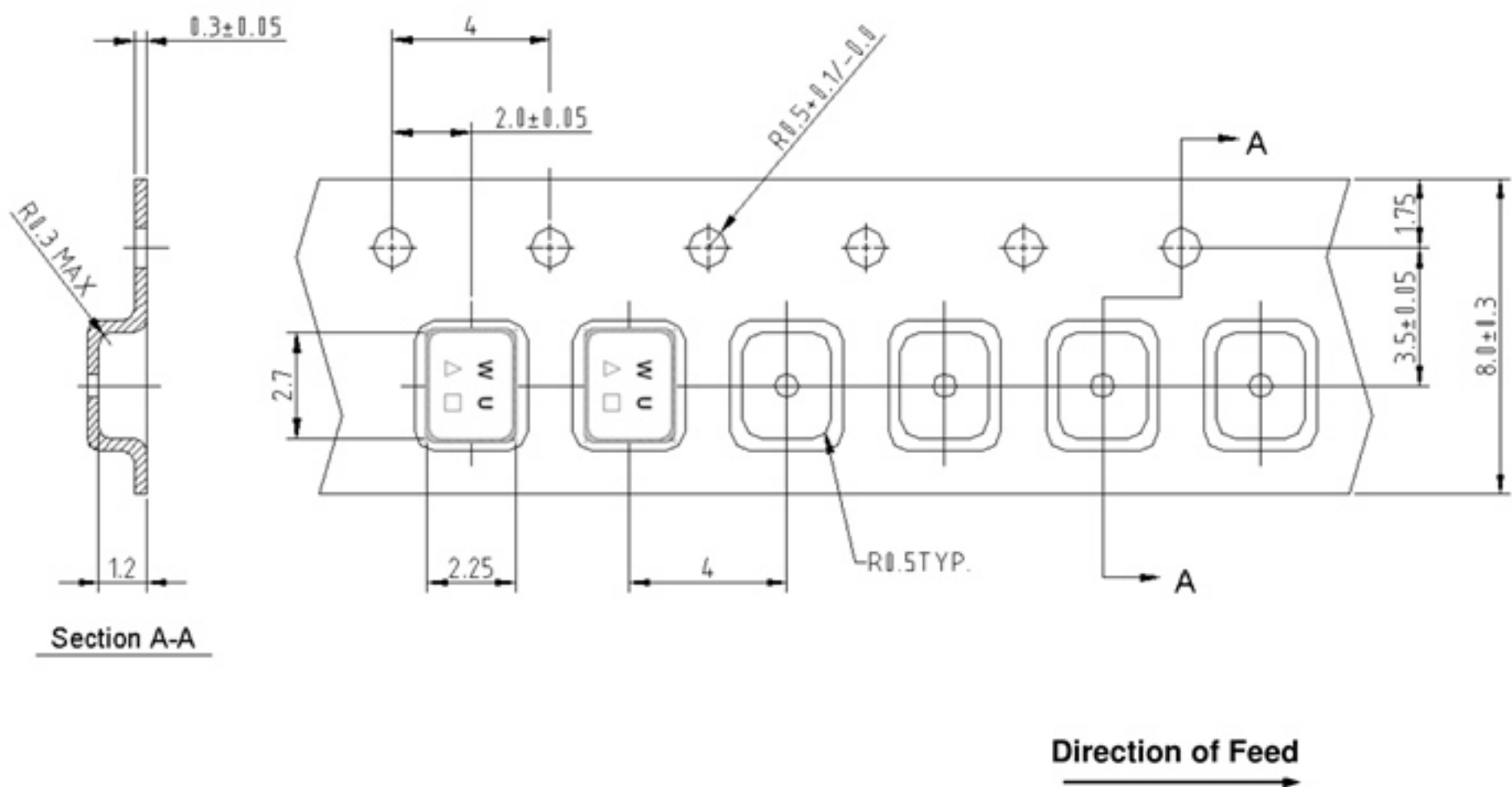
1. REEL DIMENSION

There shall be a trailer of 1000 mm minimum of empty carrier tape sealed with cover tape.

There shall be a leader of 160mm minimum of empty carrier tape sealed with cover tape.



2. TAPE DIMENSION



G. RECOMMENDED REFLOW PROFILE:

1. Preheating shall be fixed at 150~180°C for 60~90 seconds.
2. Ascending time to preheating temperature 150°C shall be 30 seconds min.
3. Heating shall be fixed at 220°C for 50~80 seconds and at 260°C +0/-5°C peak (20~40sec).
4. Time: 2 times.

