

171MHz 8MHz BW SMD5x5mm RF SAW Filter

MODEL NO.: TA0181A

REV. NO.:4.0

A. MAXIMUM RATING:

1. Input Power Level: 0 dB_m
2. DC voltage: 10 V
3. Operating Temperature: -10°C to +50°C
4. Storage Temperature: -40°C to +85°C
5. Moisture Sensitive Level (MSL): Level 1

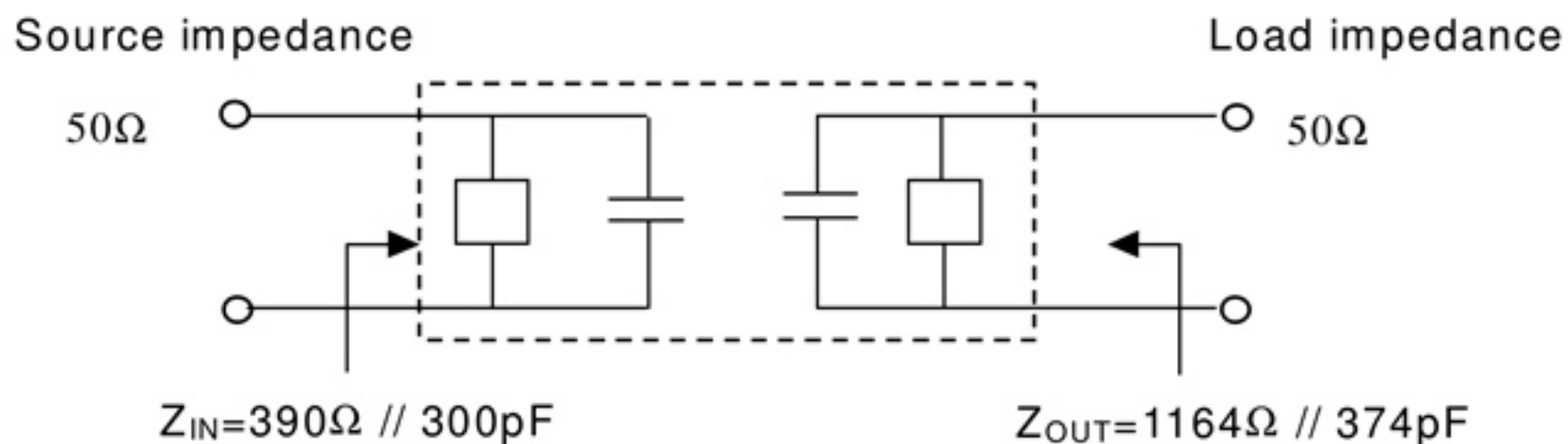
RoHS Compliant
Lead free
Lead-free soldering

B. ELECTRICAL CHARACTERISTICS:

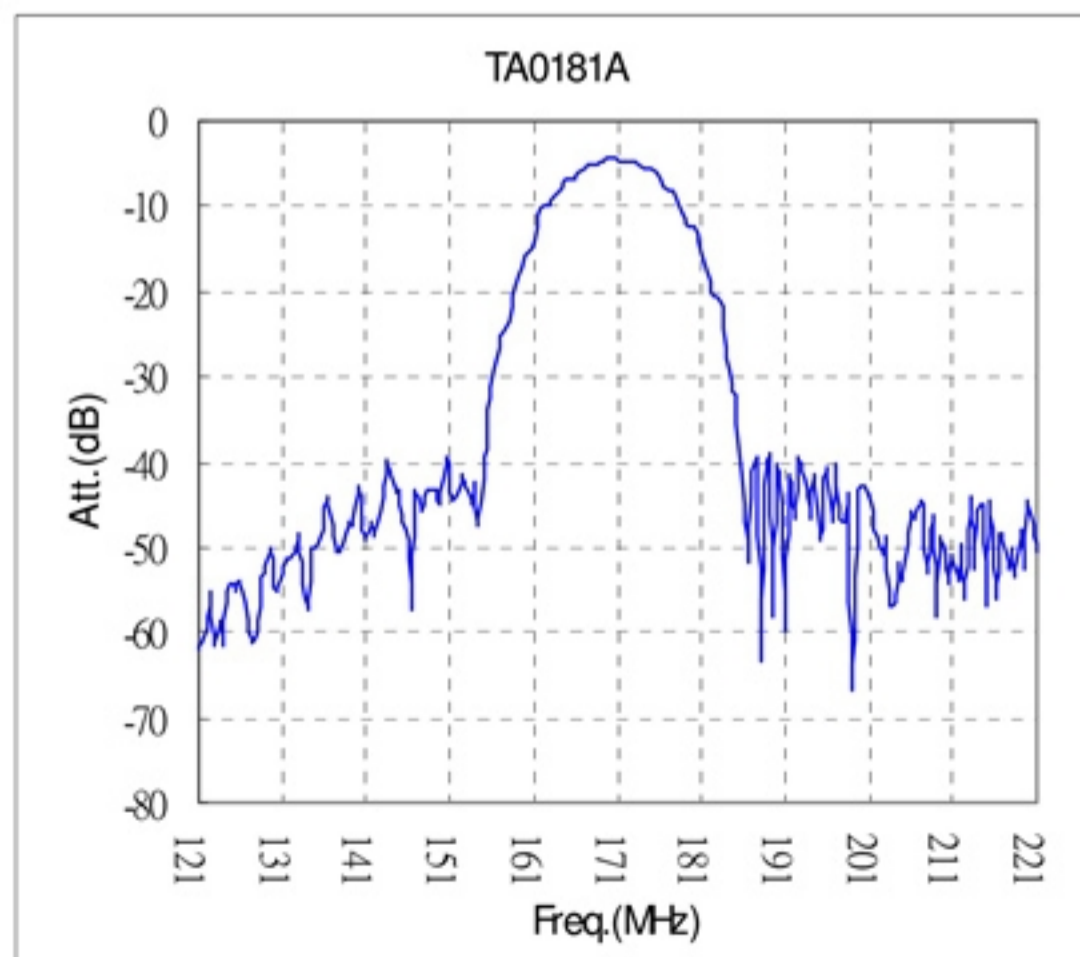
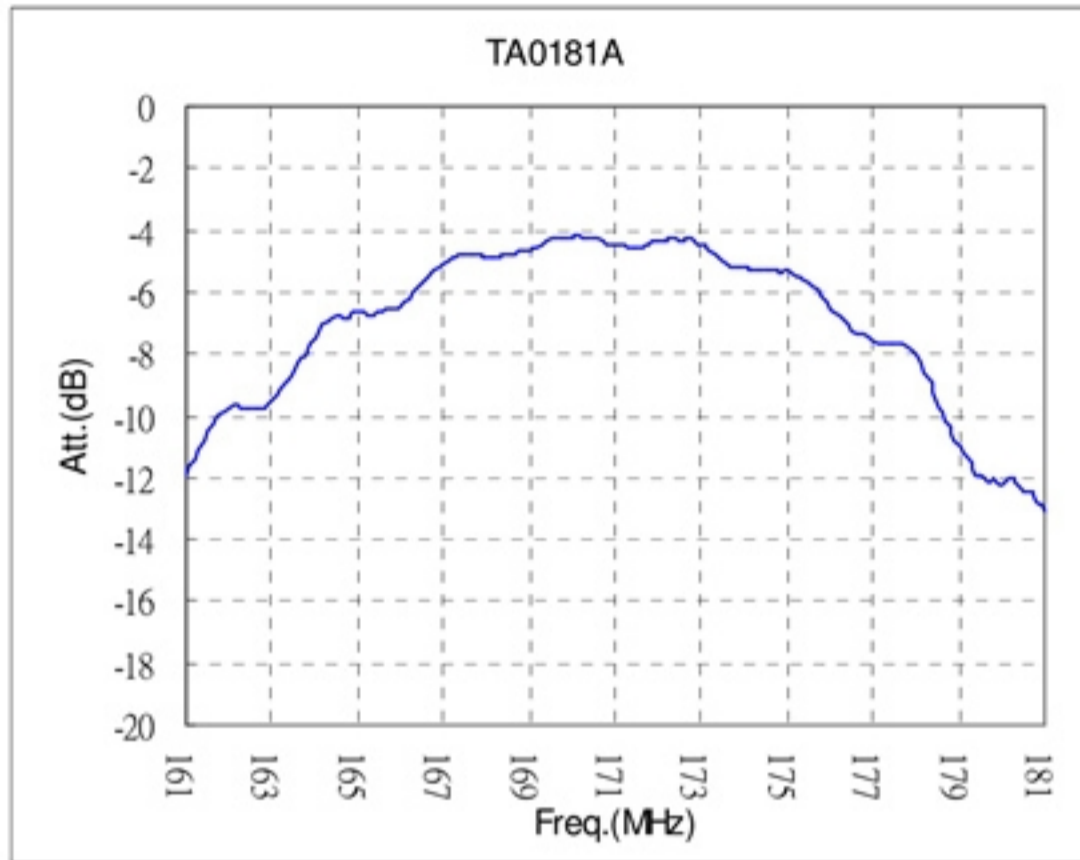
Characteristics	Specification	Note
Center frequency F_c (MHz)	171	1
I.L. (Within $F_c \pm 4$ MHz)	6.5 Max.	
Amplitude Ripple, A.R. (Within $F_c \pm 4$ MHz) (dB)	2.1 Max.	
Attenuation:(Reference level from 0 dB) (dB)		
$F_c - 100$ MHz to -38.8 MHz (dB)	50 Min.	1
$F_c +38.8$ MHz to $+ 100$ MHz (dB)	42 Min.	
Impedance at F_c ; Input $Z_{IN}=R_{IN} // C_{IN}$	390 Ω // 300 pF	2
Output $Z_{OUT}=R_{OUT} // C_{OUT}$	1164 Ω // 374 pF	2

Note1. The standard definitions is in JIS C 6703

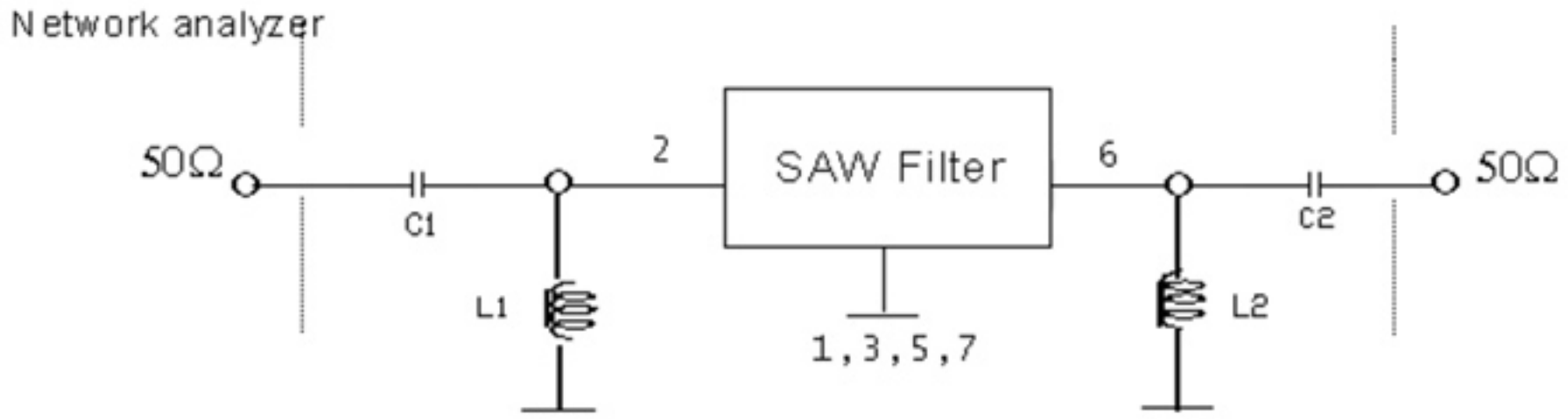
Note2.



C. Frequency Characteristics :

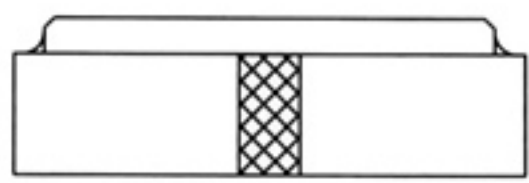
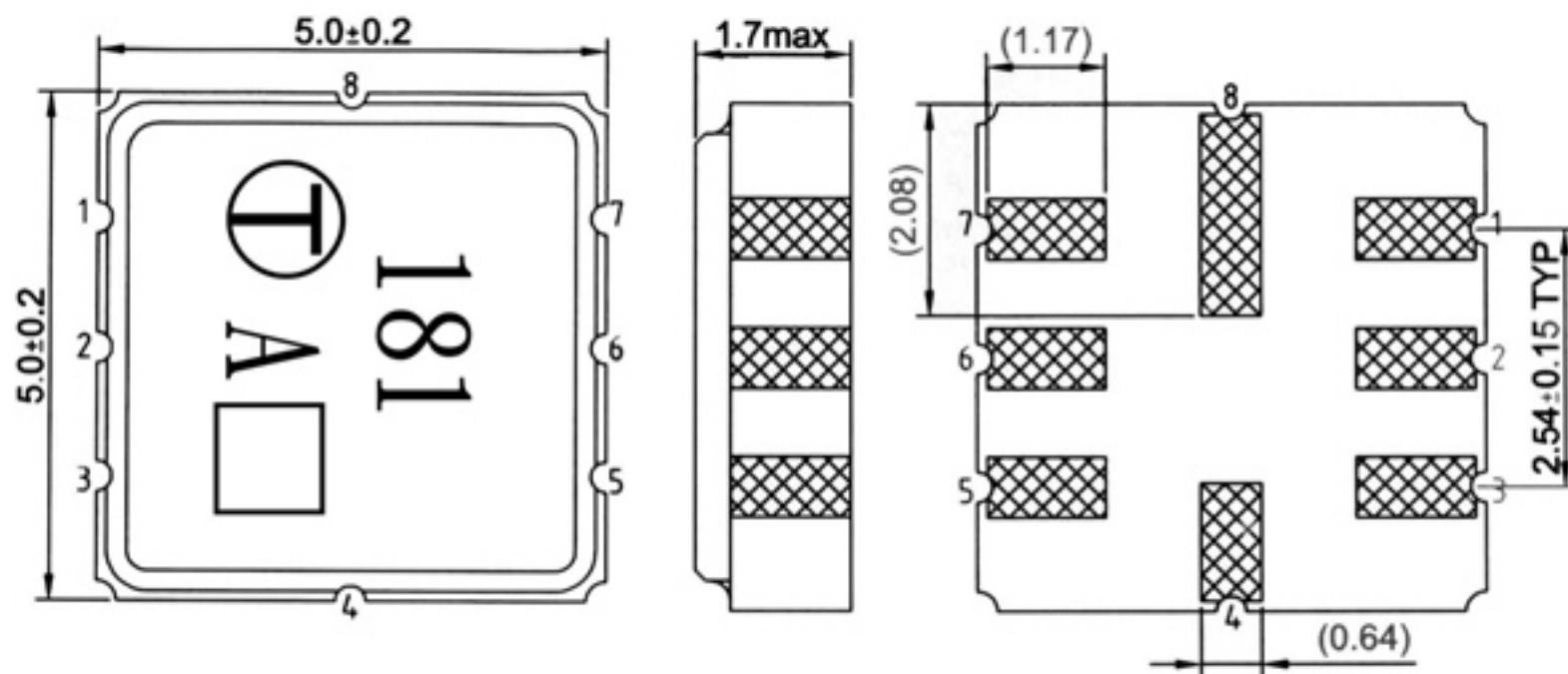


D. MEASUREMENT CIRCUIT:



C1 = 10 pF L1 = 37 nH
 C2 = 8 pF L2 = 40 nH

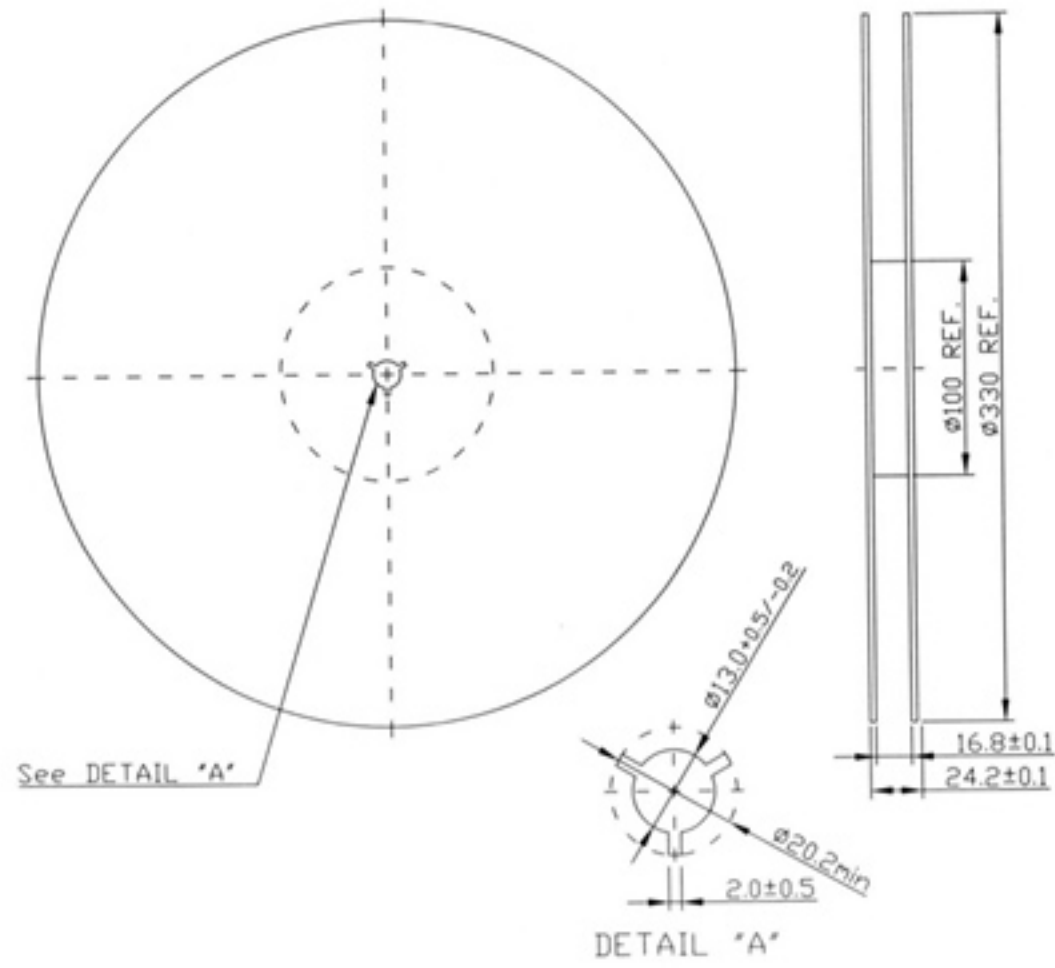
E. OUTLINE DRAWING:



#2 : Input
 #6 : Output
 #4、8 : Case Ground
 #1、3、5、7 : Ground
 □ : Date code
 Unit : mm

F. PACKING:

1. REEL DIMENSION



2. TAPE DIMENSION

