

Multi-layer Filter 205.5 MHz

MODEL NO.: TL0022A

REV. NO.:1.0

A. MAXIMUM RATING:

1. Input Power : 1W
2. Operating Temperature: -40 °C to +85 °C
3. Storage Temperature: -40 °C to +85 °C
4. Moisture Sensitive Level: Level 1 (MSL1)

RoHS Compliant
Lead free
Lead-free soldering

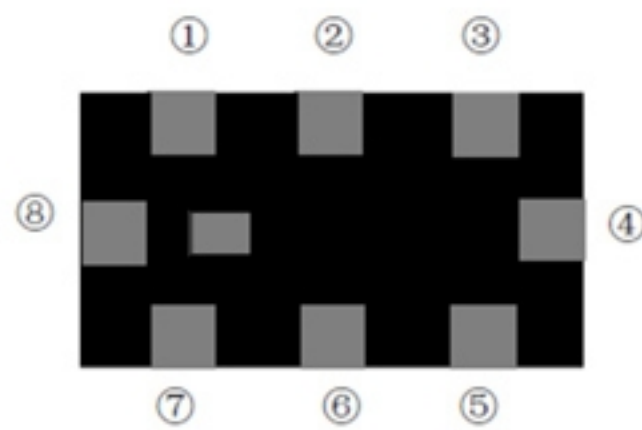
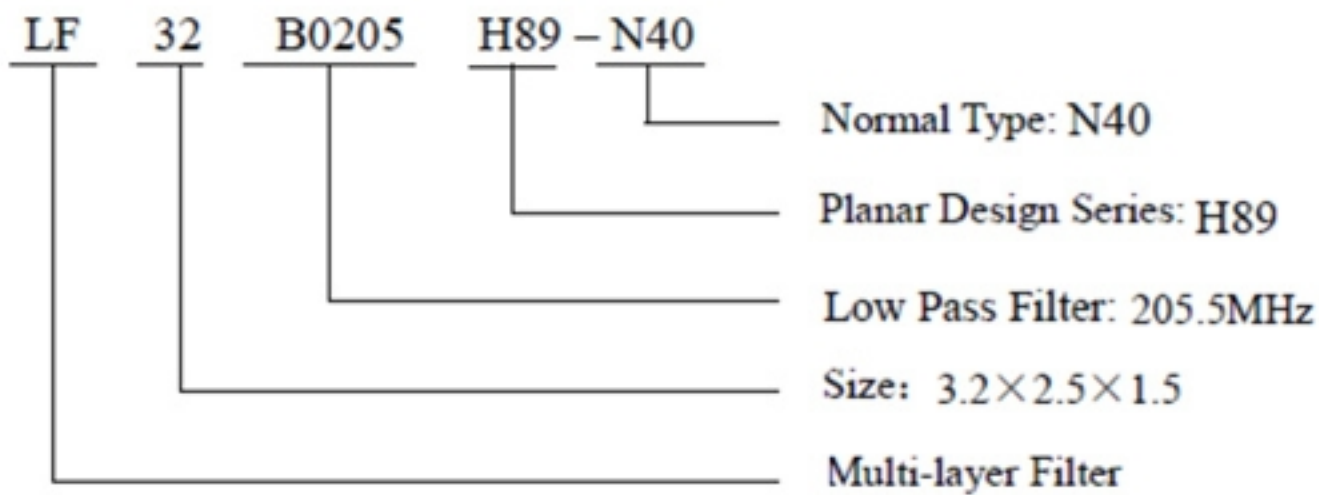
Electrostatic Sensitive Device (ESD)

B. ELECTRICAL CHARACTERISTICS:

Item	Unit	Spec	Note
Frequency Range	MHz	205.5	
Band Width	dB	63	
Insertion loss (174 ~ 237 MHz) IL	dB	1.3 Max	25±5°C
Insertion loss (174 ~ 237 MHz) IL	dB	1.6 Max	-40°C~85°C
Amplitude Ripple (174 ~ 237 MHz)	dB	1Max	
VSWR (174 ~ 237 MHz)	-	2.0 Max	
Attenuation			
100 MHz	dB	10	
500 MHz	dB	20	
1452 ~ 1492 MHz	dB	25	
In/Out put Impedance	Ω	50	

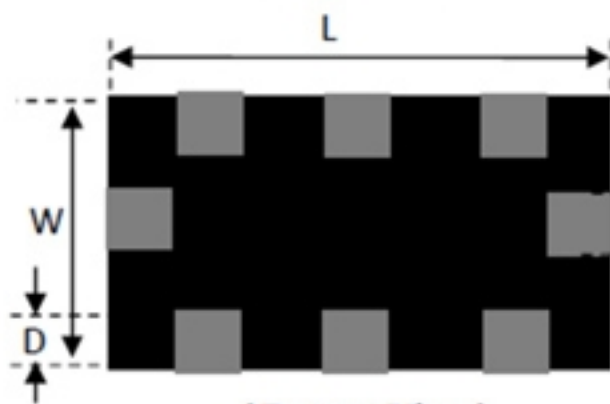
C. OUTLINE DRAWING:

Part Number

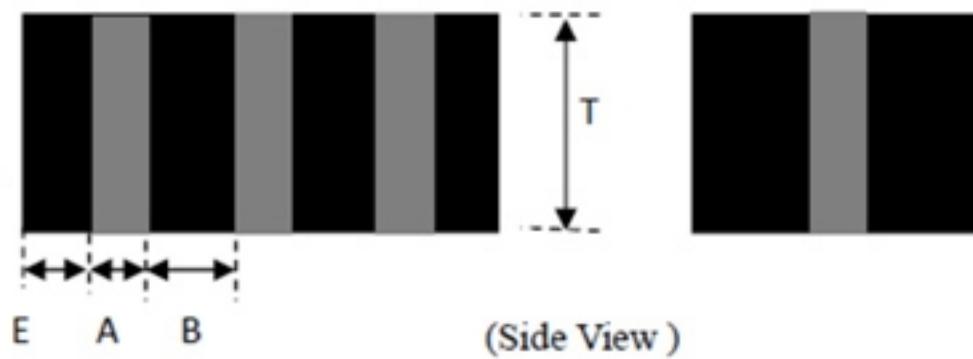


Number	Terminal Name	Number	Terminal Name
①	NC	⑤	NC
②	GND	⑥	GND
③	NC	⑦	NC
④	OUTPUT	⑧	INPUT

(Top View)

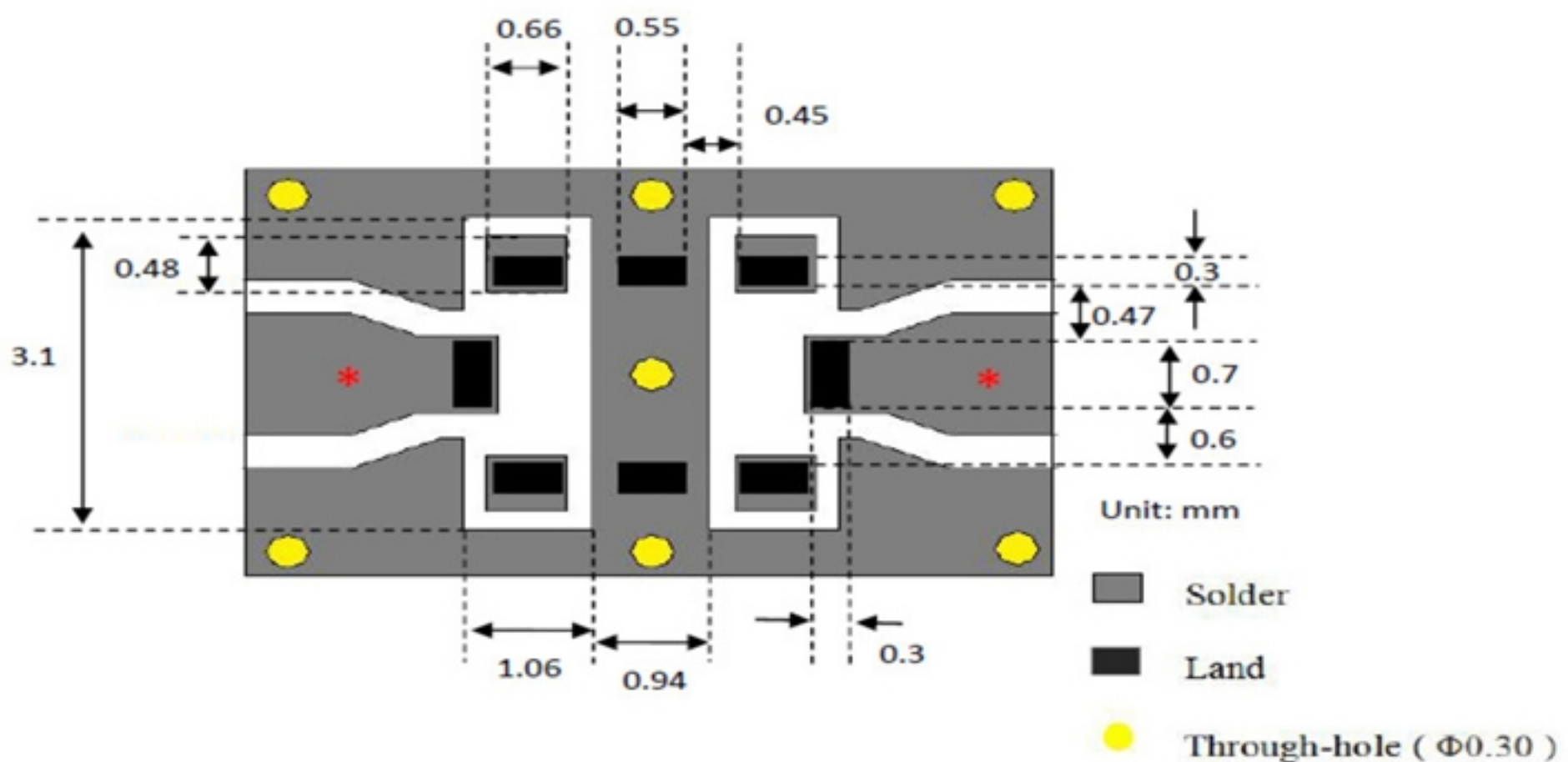


(Bottom View)



(Side View)

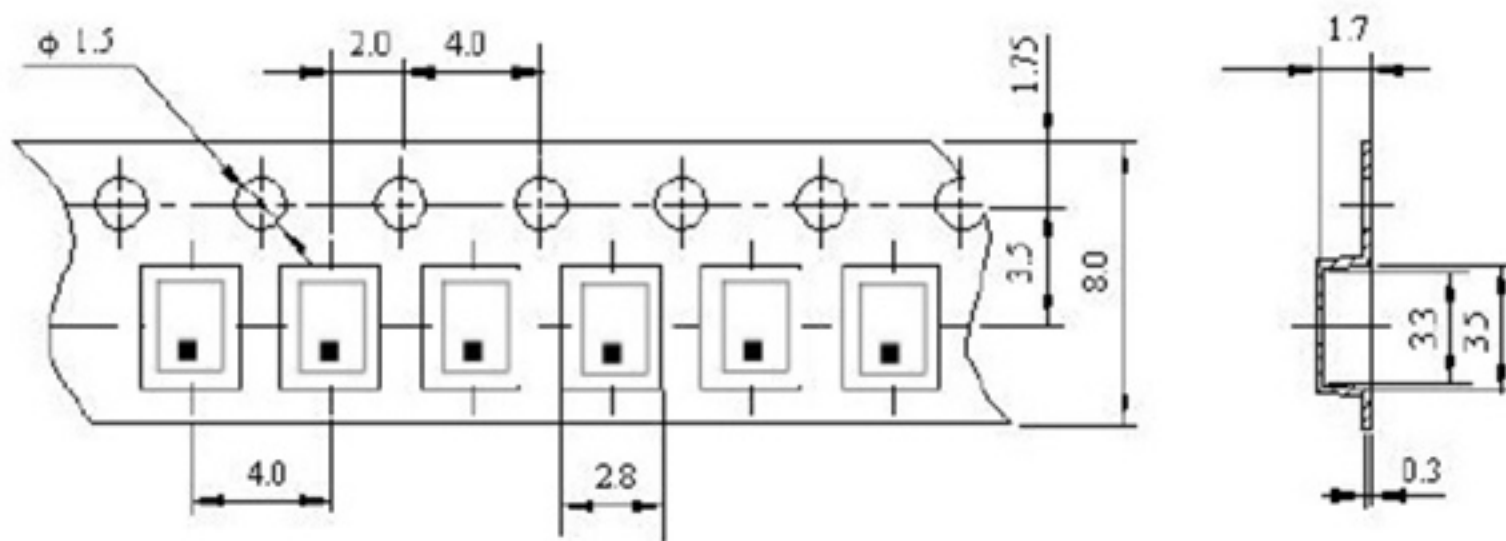
Symbols	L	W	T	A	B	C	D	E
Dimensions	3.2+/- 0.2	2.5+/- 0.2	1.5+/- 0.15	0.55+/- 0.15	0.45+/- 0.15	0.7+/- 0.15	0.3+/- 0.1	0.1+/- 0.1



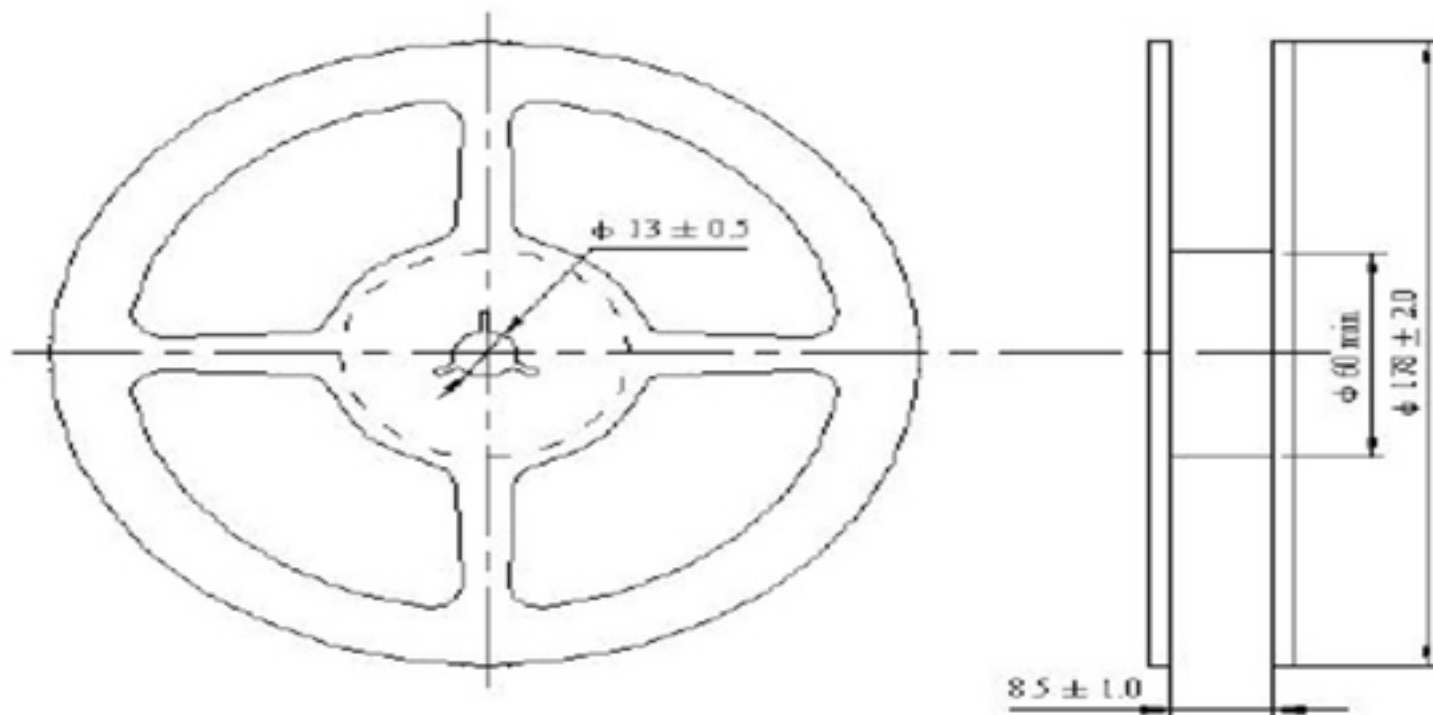
D. Frequency Characteristics:



E. PACKING: Reel (2500 pcs/Reel)



Reserve a length of 150~200mm for the trailer of the carrier and 250~300 mm for the leader of the carrier and further 250mm of cover tape at the leading part of the carrier.



F. Recommended Reflow Profile:

