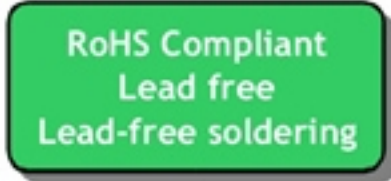


A. MAXIMUM RATING:

1. Input Power Level: 10 dBm
2. DC Voltage : 0V
3. Operating Temperature: -30 °C to +85 °C
4. Storage Temperature: -30 °C to +85 °C
5. Moisture Sensitive Level: Level 3 (MSL3)



Electrostatic Sensitive Device (ESD)

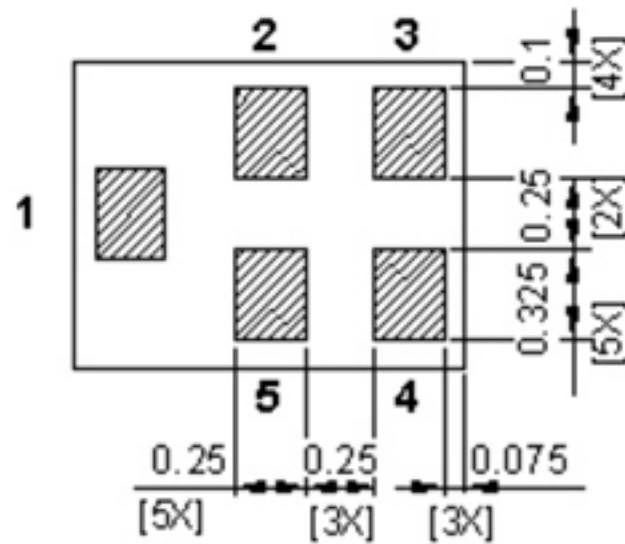
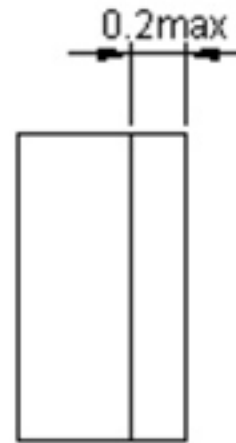
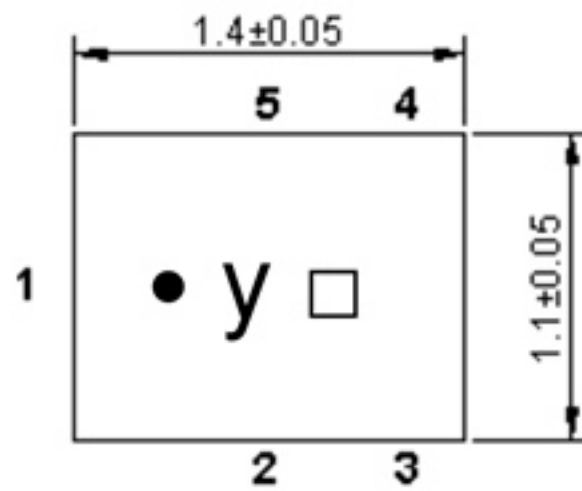
B. ELECTRICAL CHARACTERISTICS:

Terminating source impedance : $Z_s = 50 \Omega$

Terminating load impedance : $Z_L = 50 \Omega$

Item	Unit	Min.	Type.	Max.
Center Frequency	MHz	-	725.5	-
Insertion Loss (703 ~ 748 MHz)	dB	-	2.4	3.0
Amplitude ripple (703 ~ 748 MHz)	dB	-	1.7	2.5
VSWR (703 ~ 748 MHz)	-	-	1.9	2.2
Attenuation				
10 ~ 650 MHz	dB	15	18	-
758 ~ 763 MHz	dB	15	20	-
763 ~ 803 MHz	dB	18	21	-
803 ~ 1500 MHz	dB	10	17	-
1500 ~ 3000 MHz	dB	15	22	-
Temperature Coefficient of Frequency	ppm/C°	-	-36	-

C.OUTLINE DRAWING:



All tolerances are +/-0.05 mm unless otherwise specified

Coplanarity : 0.1 mm max.

1 to 5 : Pin No.

Unit : mm

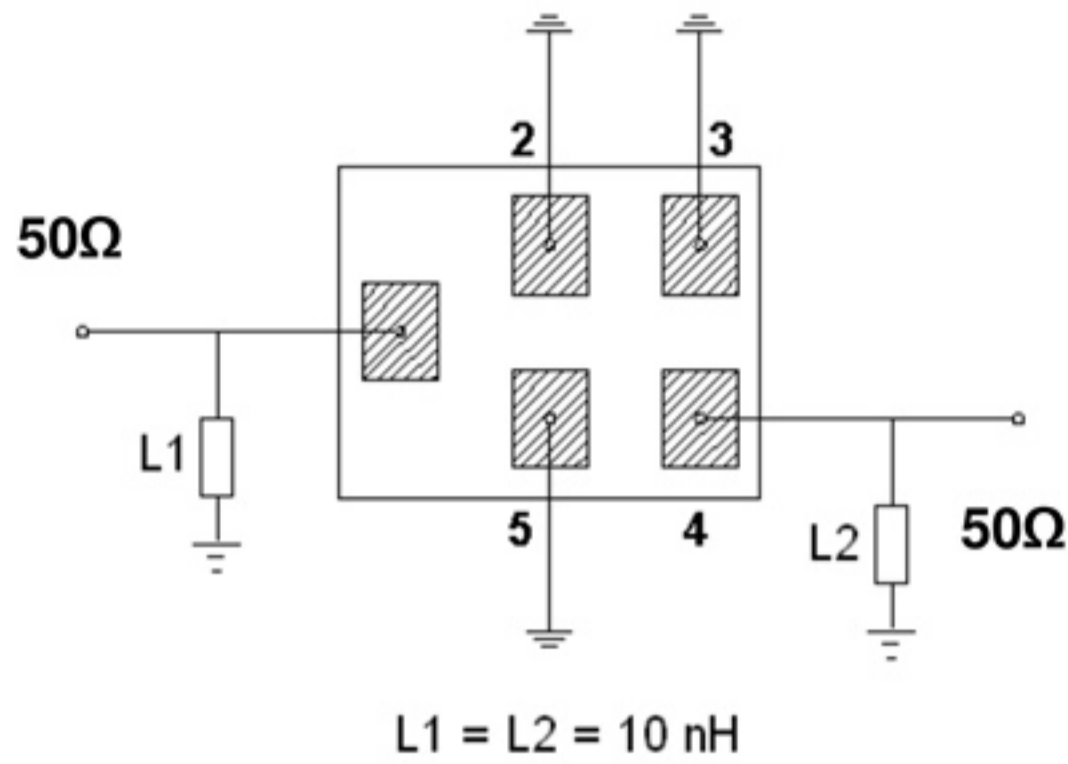
Pin No.	Symbol	Function
1	IN	Input
2	GND	Ground
3	GND	Ground
4	OUT	Output
5	GND	Ground

□ : Year/Month Code (Follow the table)

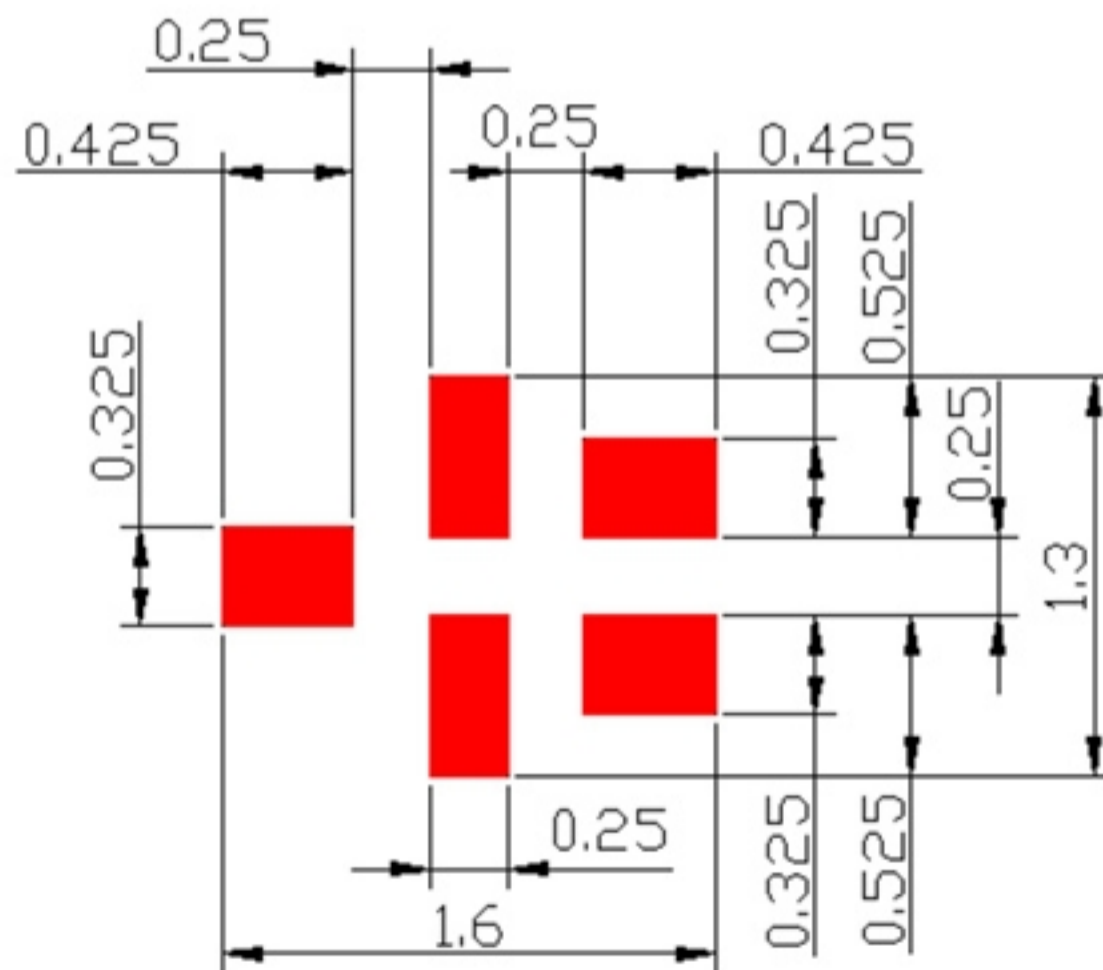
YEAR/Month	1	2	3	4	5	6	7	8	9	10	11	12
2013	A	B	C	D	E	F	G	H	J	K	L	M
2014	N	P	Q	R	S	T	U	V	W	X	Y	Z
2015	a	b	c	d	e	f	g	h	j	k	l	m
2016	n	p	q	r	s	t	u	v	w	x	y	z
2017	<u>A</u>	<u>B</u>	<u>C</u>	<u>D</u>	<u>E</u>	<u>F</u>	<u>G</u>	<u>H</u>	<u>J</u>	<u>K</u>	<u>L</u>	<u>M</u>
2018	<u>N</u>	<u>P</u>	<u>Q</u>	<u>R</u>	<u>S</u>	<u>T</u>	<u>U</u>	<u>V</u>	<u>W</u>	<u>X</u>	<u>Y</u>	<u>Z</u>
2019	<u>a</u>	<u>b</u>	<u>c</u>	<u>d</u>	<u>e</u>	<u>f</u>	<u>g</u>	<u>h</u>	<u>i</u>	<u>k</u>	<u>l</u>	<u>m</u>
2020	<u>n</u>	<u>p</u>	<u>q</u>	<u>r</u>	<u>s</u>	<u>t</u>	<u>u</u>	<u>v</u>	<u>w</u>	<u>x</u>	<u>y</u>	<u>z</u>


D. MEASUREMENT CIRCUIT:

* By Network analyzer simulation matching with port extension



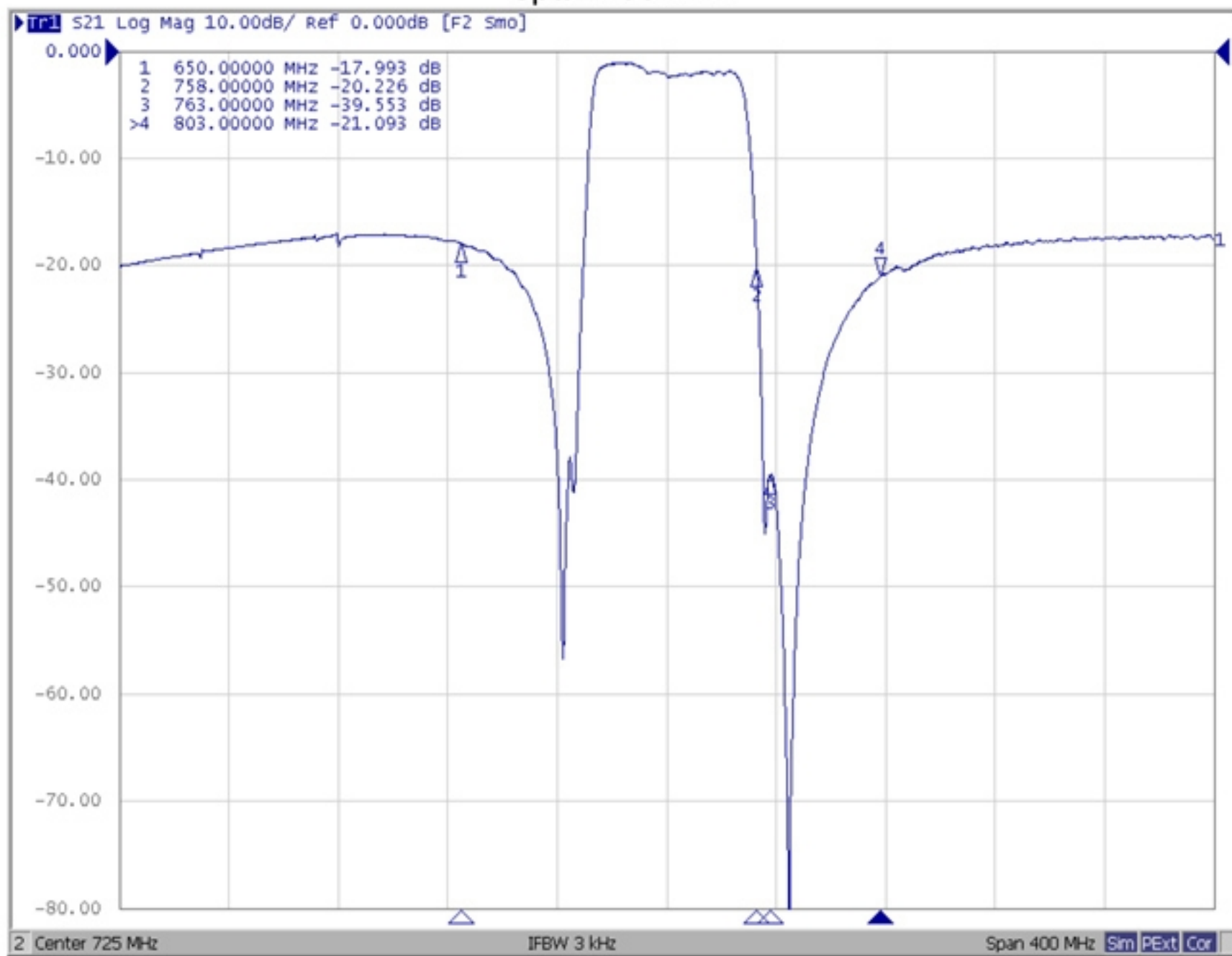
E. PCB Footprint:



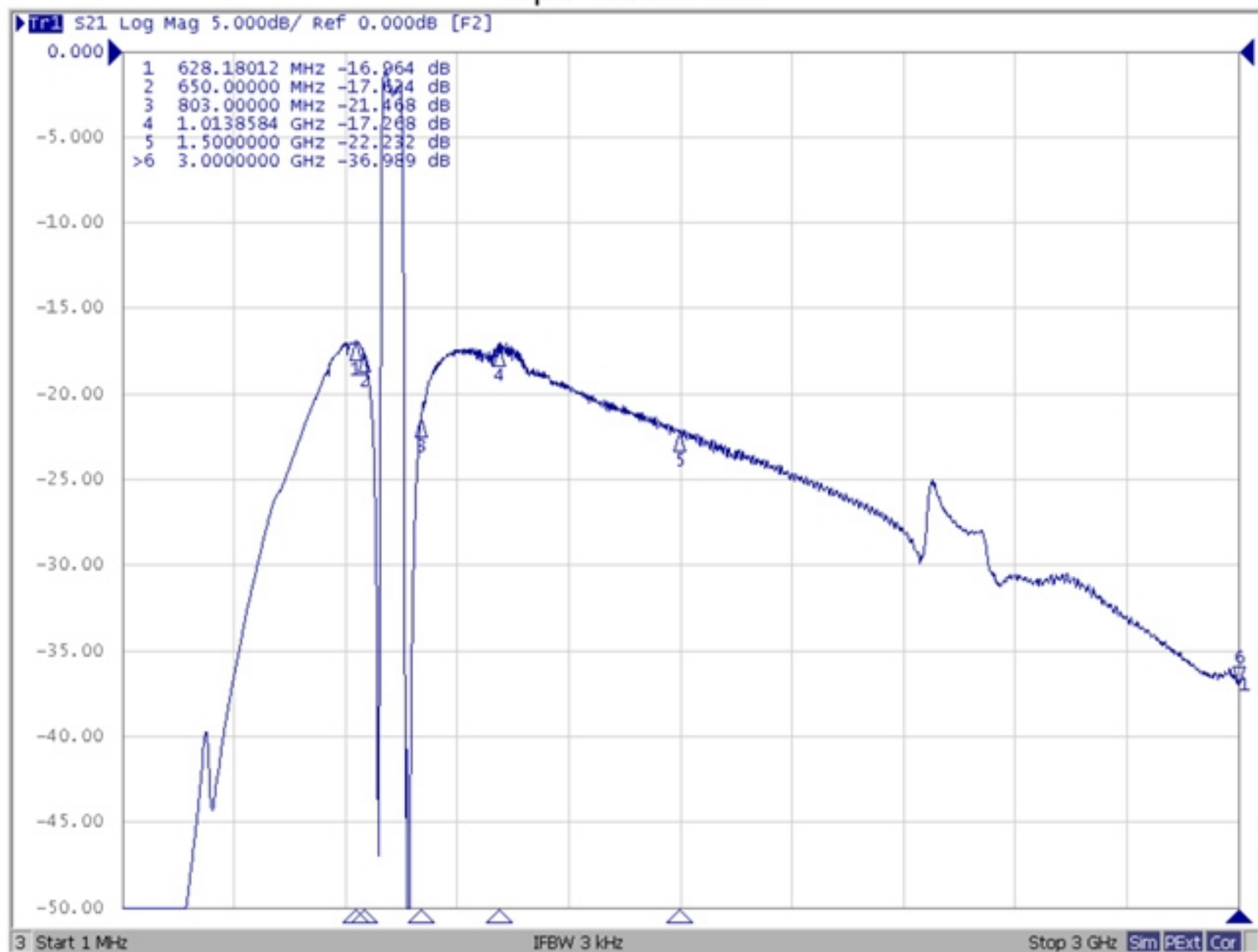
 : Land Pattern
Unit : mm

F. Frequency Characteristics :

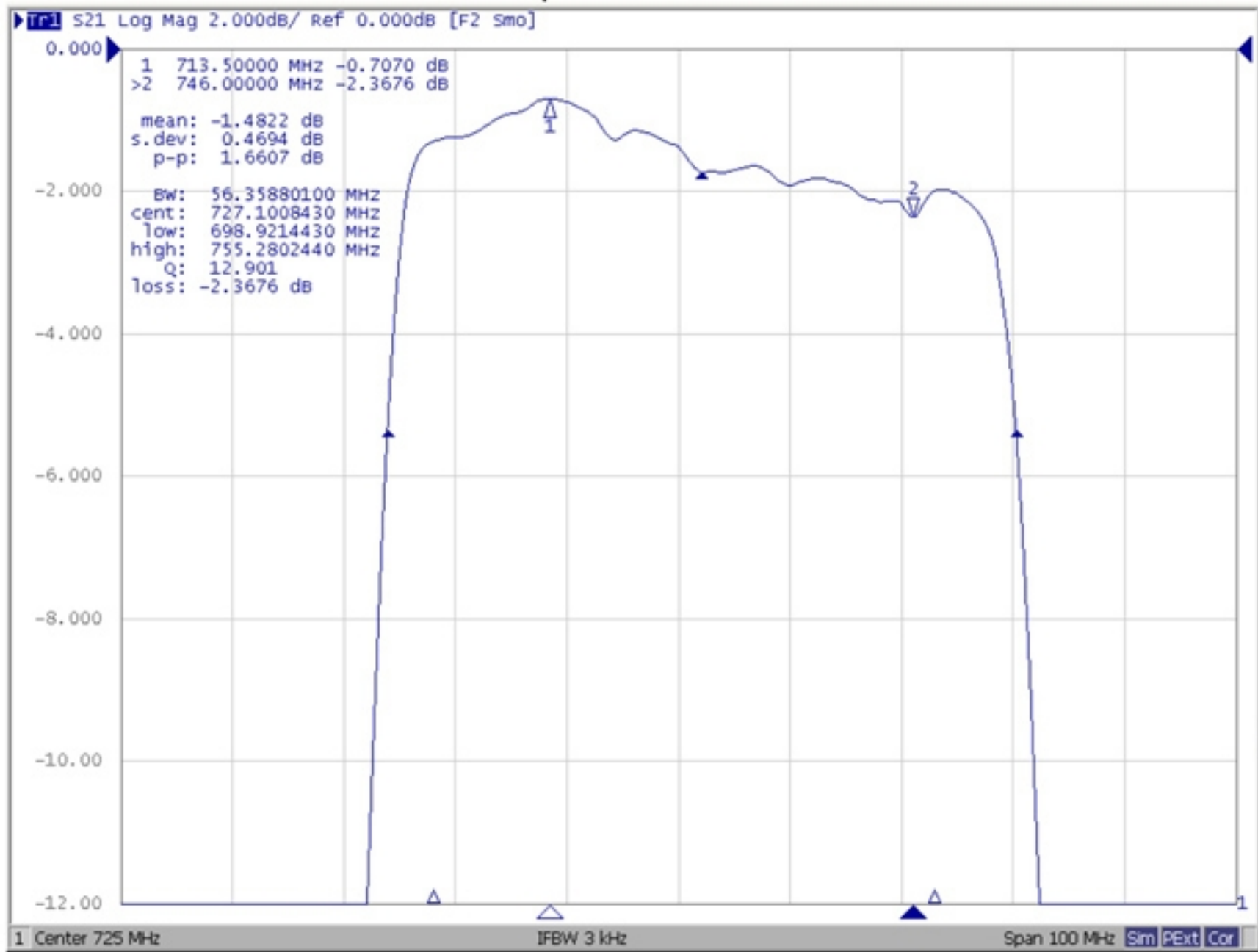
Span 400 MHz



Span 3000 MHz

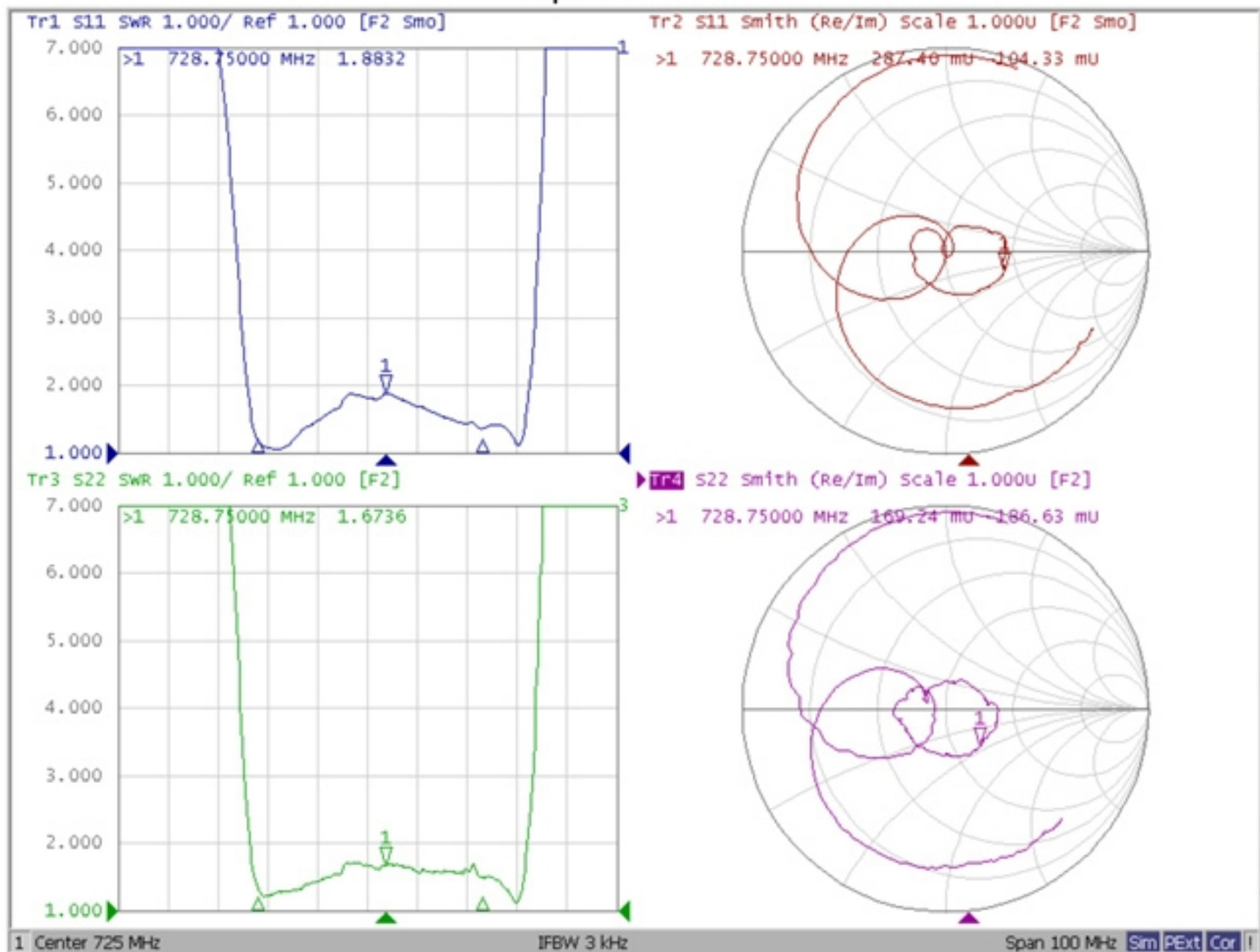


Span 100 MHz



Reflection Functions :

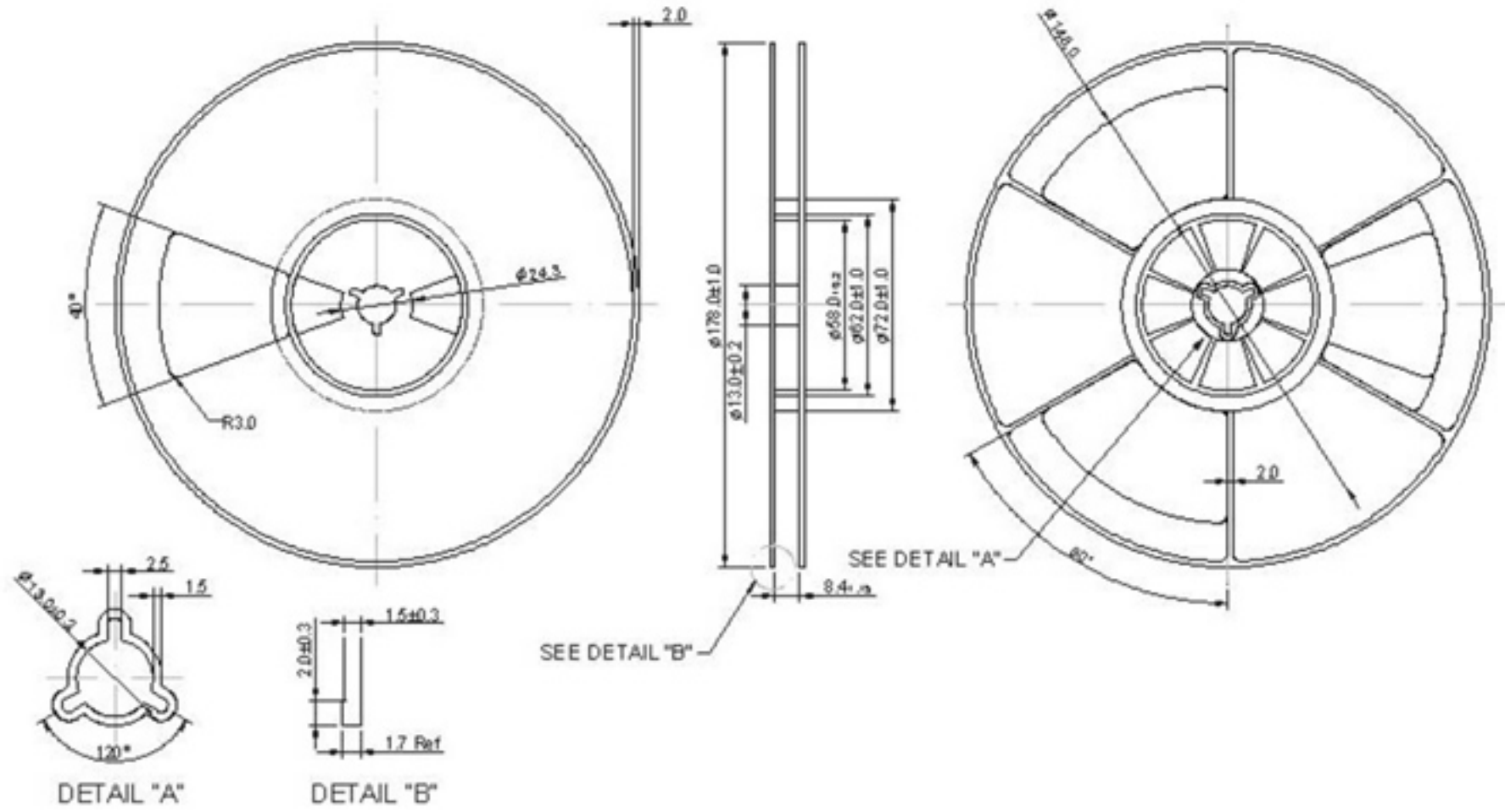
Span 60 MHz



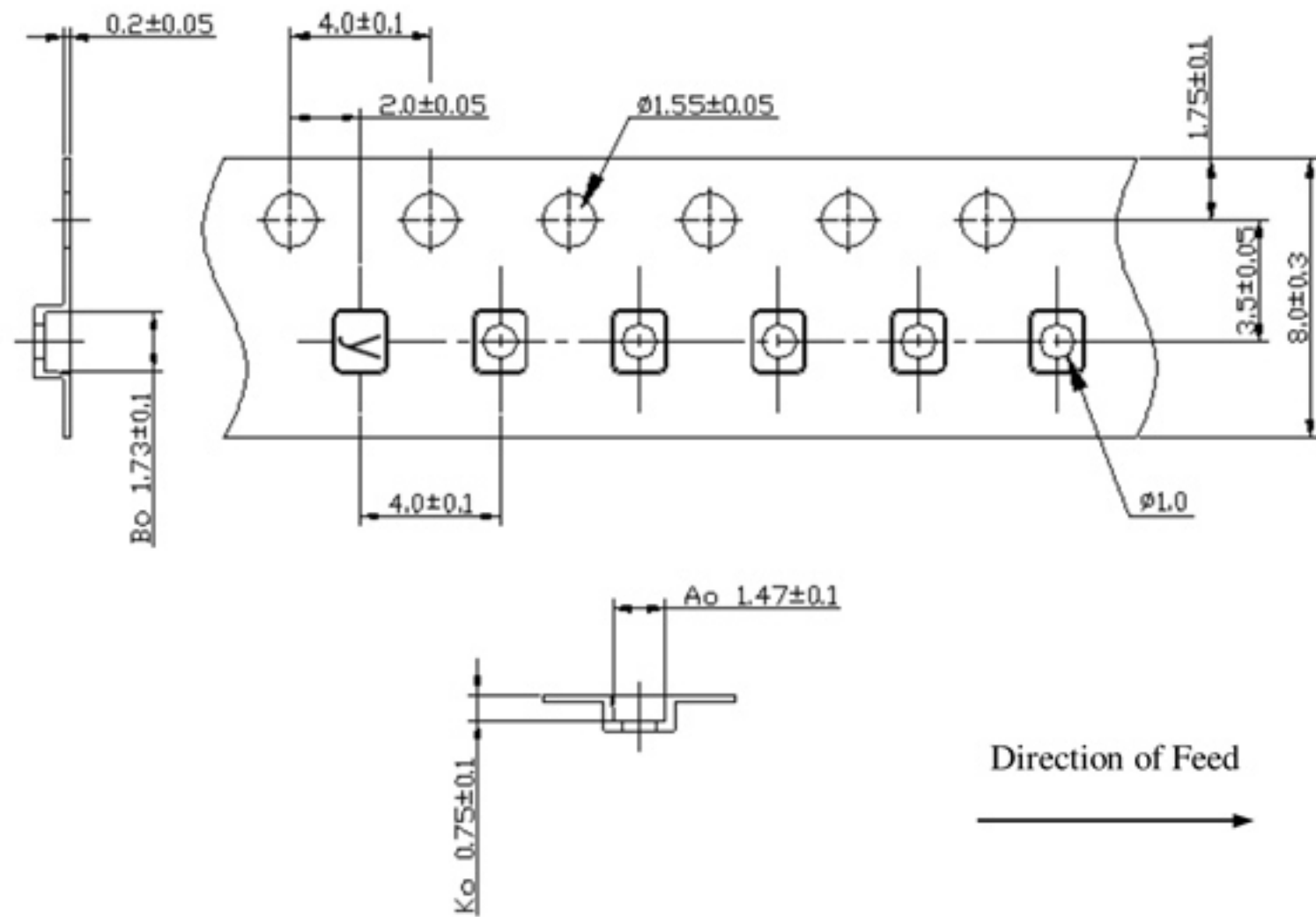
G. PACKING:

1. REEL DIMENSION

(Please refer to FR-75D10 for packing quantity)



2. TAPE DIMENSION



H. RECOMMENDED REFLOW PROFILE :

1. Preheating shall be fixed at $150\sim 180^{\circ}\text{C}$ for $60\sim 90$ seconds.
2. Ascending time to preheating temperature 150°C shall be 30 seconds min.
3. Heating shall be fixed at 220°C for $50\sim 80$ seconds and at $260^{\circ}\text{C} +0/-5^{\circ}\text{C}$ peak ($20\sim 40\text{sec}$).
4. Time: 2 times.

