

RoHS Compliant
Lead free
Lead-free soldering

A. FEATURES:

1. 1-port Resonator.

B. MAXIMUM RATING:

1. Input Power Level : 0 dBm
2. DC Voltage : 0V
3. Operating temperature range: -40 °C to +85 °C
4. Storage temperature range: -55 °C to +125 °C
5. Moisture Sensitivity Level: Level 1 (MSL1)

Electrostatic Sensitive Device

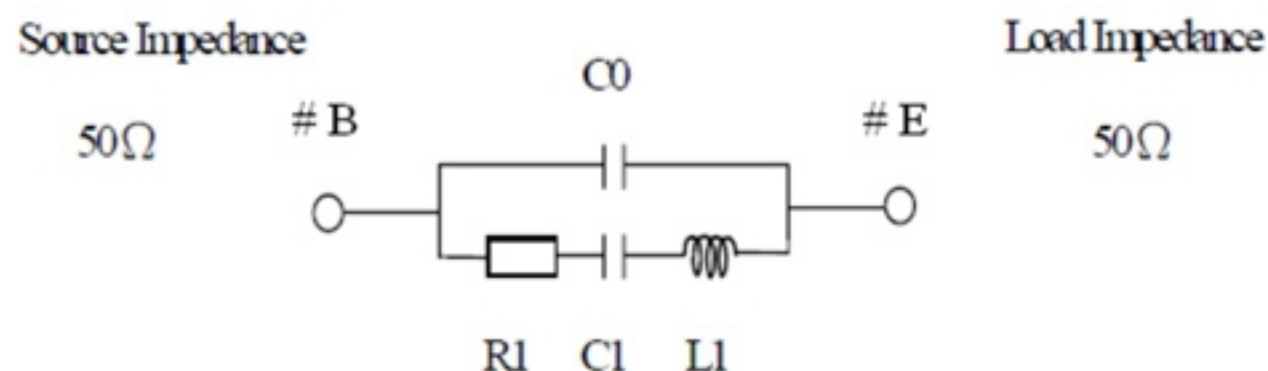
C. ELECTRICAL CHARACTERISTICS:Reference Temperature $T_A=25^{\circ}\text{C}$

Item	Unit	Min.	Type.	Max.
Center Frequency*, Fc	MHz	737.5087	737.5345	737.5603
Insertion Loss IL	dB	-	2.0	2.5
Equivalent Elements				
Unload Q Factor	-	8000	9000	-
Motional Capacitance C1	fF	-	0.87	-
Motional Inductance L1	μH	-	53.8	-
Motional Resistance R1	Ohm	-	25.2	-
Parallel Capacitance Co	pF	-	1.02	-
Frequency Temperature Coefficient**	ppm/°C²	-	-0.04	-
Turnover T_0	Deg.C	15	25	35
Package Size		SMD 3.0x3.0x1.4 mm		

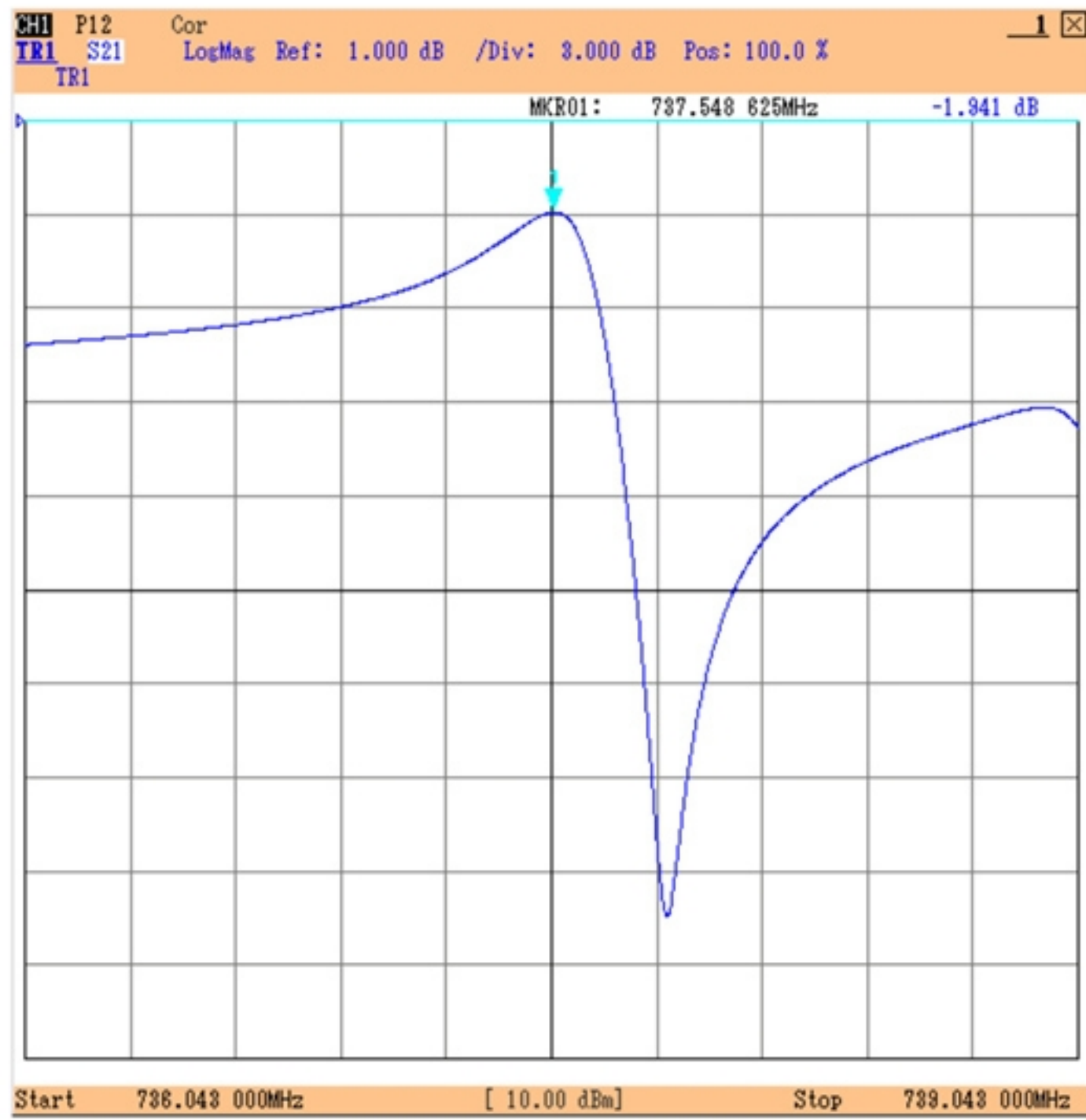
*Center frequency measure by Yr 1-port in room temperature.

..Temperature dependence of f_c : $f_c(T_A)=f_c(T_0)(1-TC_f(T_A-T_0)^2)$ **D. EQUIVIRENT CIRCUIT:**

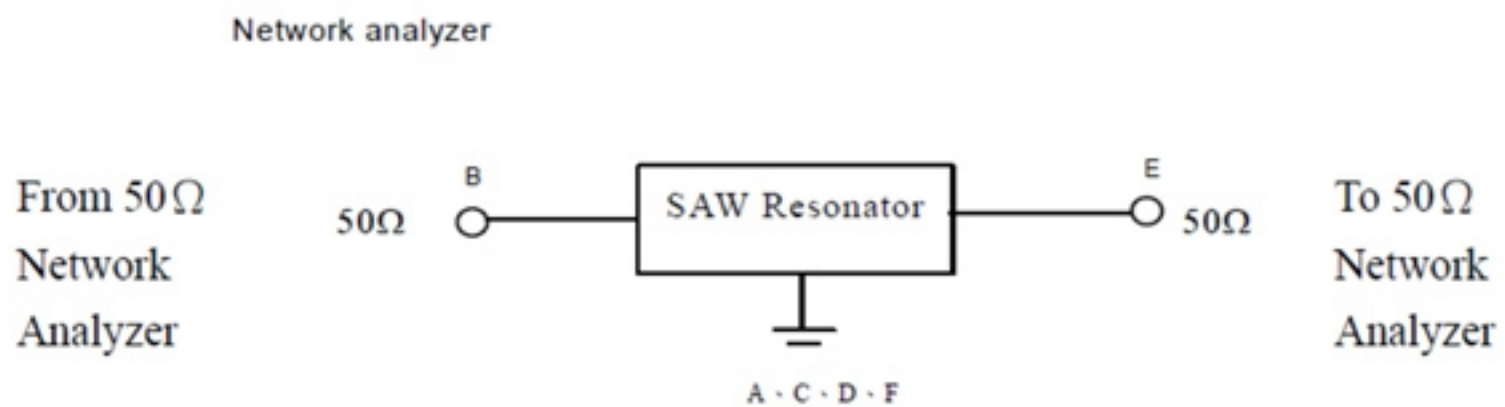
One-Port Resonator:



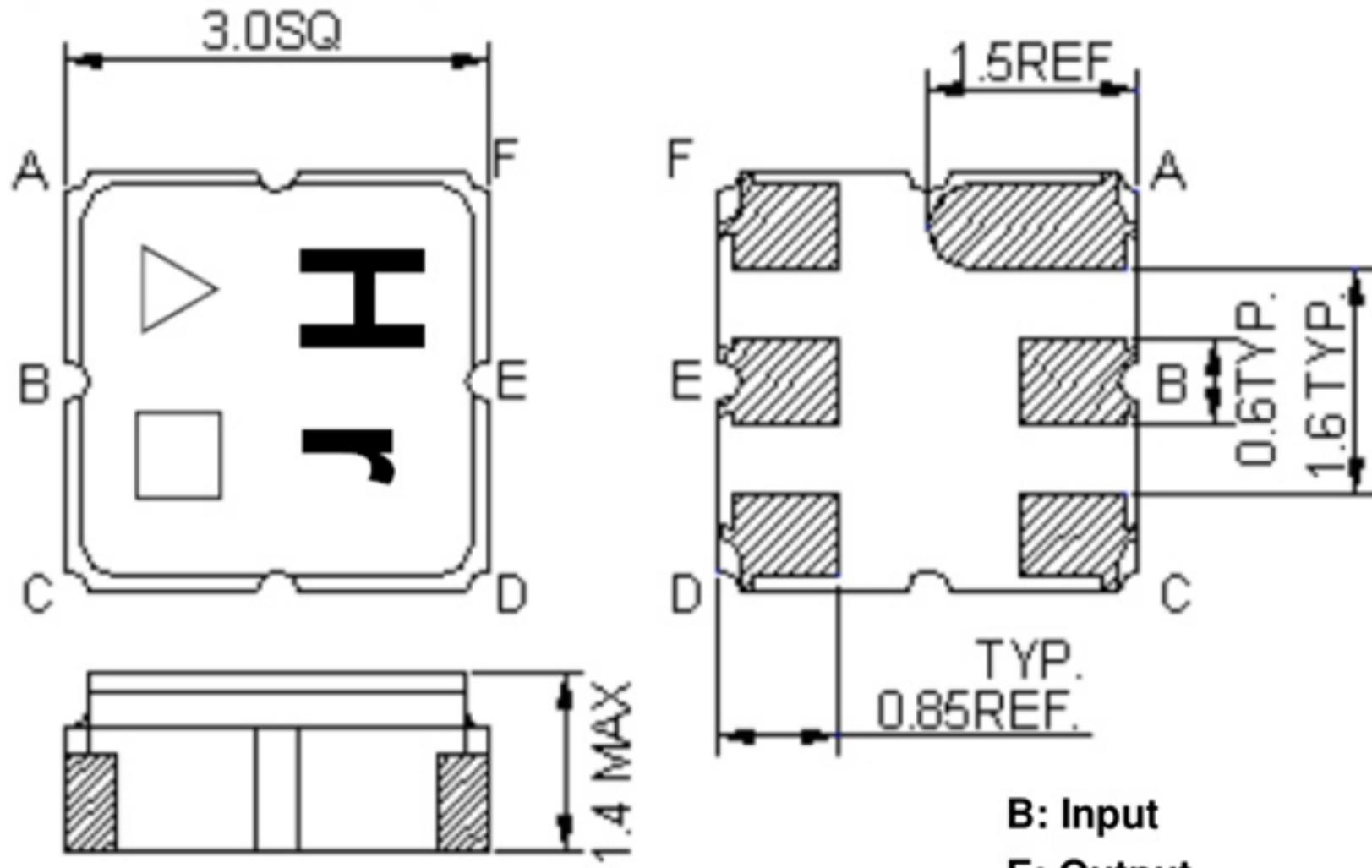
E. FREQUENCY CHARACTERISTICS:



F. TEST CIRCUIT:



E. OUTLINE DRAWING:



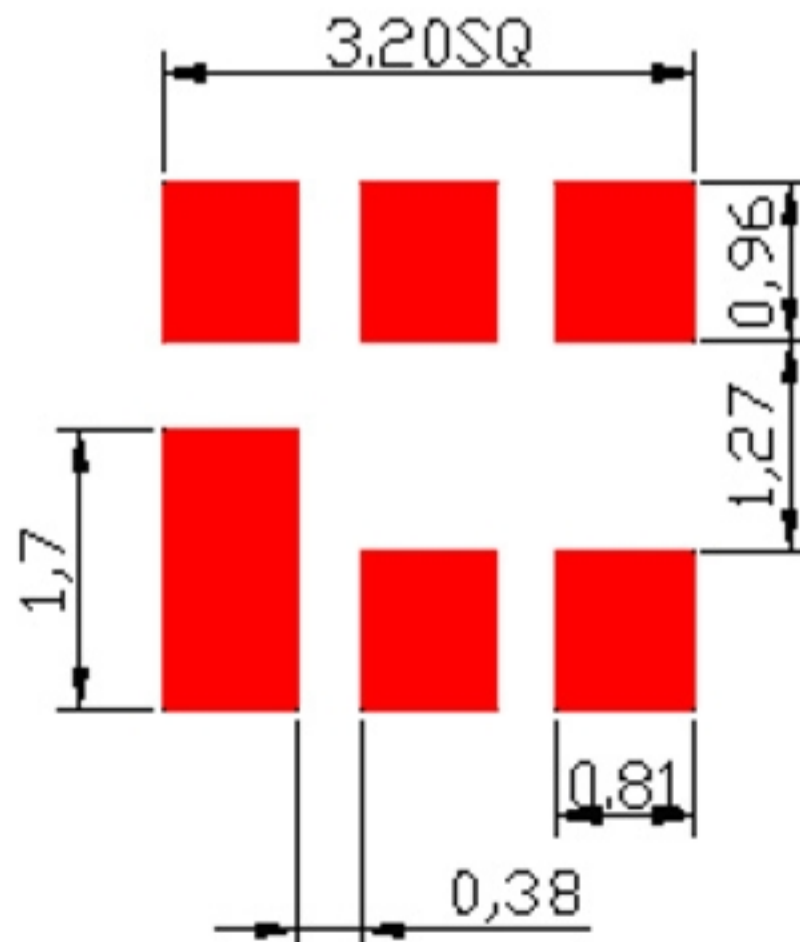
B: Input
E: Output
A, C, D, F: Ground
Unit: mm

△ : Year Code (2009->9, 2010->0, ..., 2018->8)

□ : Date Code (Follow the table from planner each year)

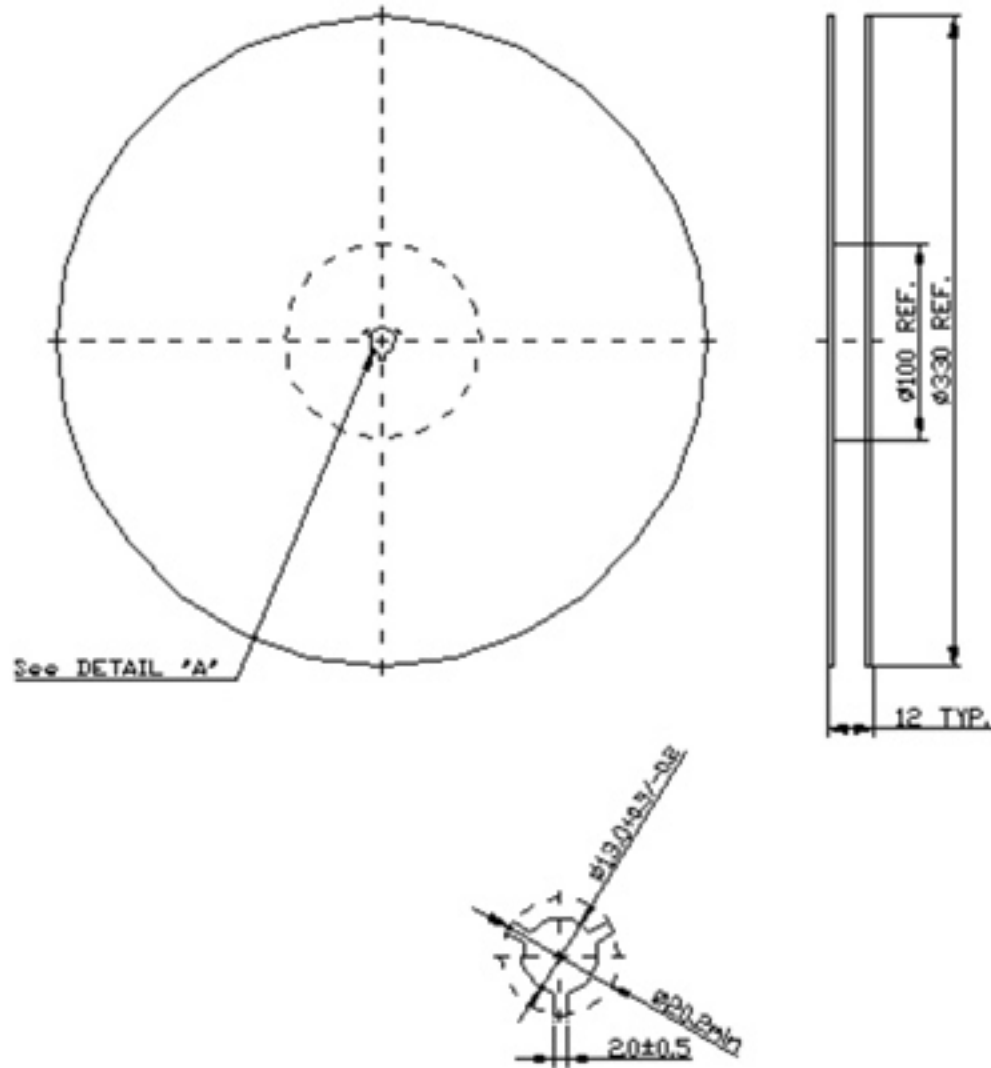
WK01	WK02	WK03	WK04	WK05	WK06	WK07	WK08	WK09	WK10	WK11	WK12	WK13
A	B	C	D	E	F	G	H	I	J	K	L	M
WK14	WK15	WK16	WK17	WK18	WK19	WK20	WK21	WK22	WK23	WK24	WK25	WK26
N	O	P	Q	R	S	T	U	V	W	X	Y	Z
WK27	WK28	WK29	WK30	WK31	WK32	WK33	WK34	WK35	WK36	WK37	WK38	WK39
a	b	c	d	e	f	g	h	i	j	k	l	m
WK40	WK41	WK42	WK43	WK44	WK45	WK46	WK47	WK48	WK49	WK50	WK51	WK52
n	o	p	q	r	s	t	u	v	w	x	y	z

F. PCB FOOTPRINT:

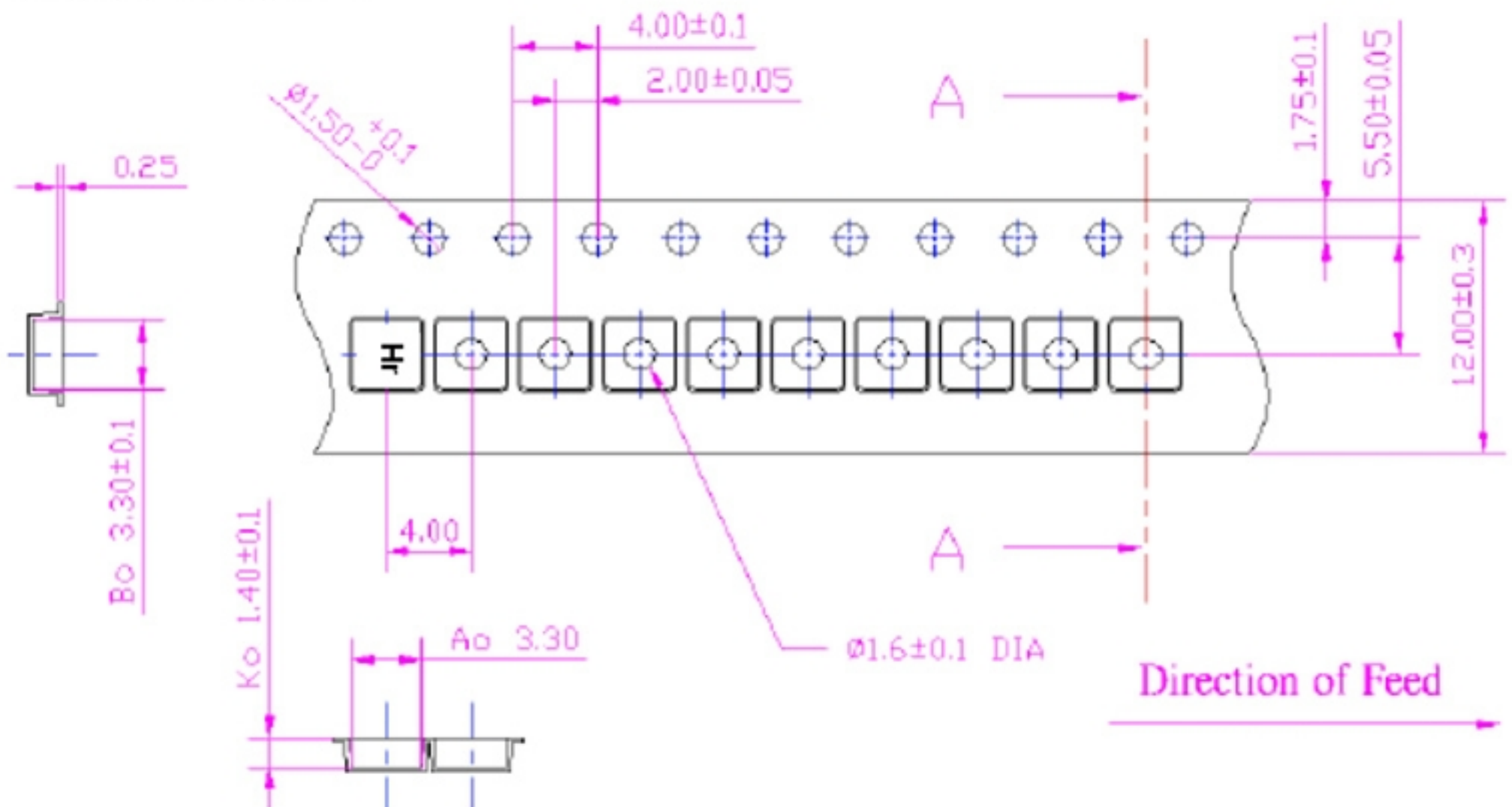


G. PACKING:

1. REEL DIMENSION (Please refer to FR-75D10 for packing quantity)



2. TAPE DIMENSION



H. RECOMMENDED REFLOW PROFILE:

1. Preheating shall be fixed at 150~180°C for 60~90 seconds.
2. Ascending time to preheating temperature 150°C shall be 30 seconds min.
3. Heating shall be fixed at 220°C for 50~80 seconds and at 260°C +0/-5°C peak (20~40sec).
4. Time: 2 times.

