

# SAW Filter 680.5 MHz SMD 3.0X3.0 mm

MODEL NO.:TA2613A

REV. NO.:1.0

## A. MAXIMUM RATING:

1. Input Power Level: 15 dBm
2. DC Voltage : 0 V
3. Operating Temperature: -45 °C to +85 °C
4. Storage Temperature: -45 °C to +85 °C
5. Moisture Sensitive Level (MSL): Level 1

RoHS Compliant

Lead-free soldering

Electrostatic Sensitive Device (ESD)

## B. ELECTRICAL CHARACTERISTICS:

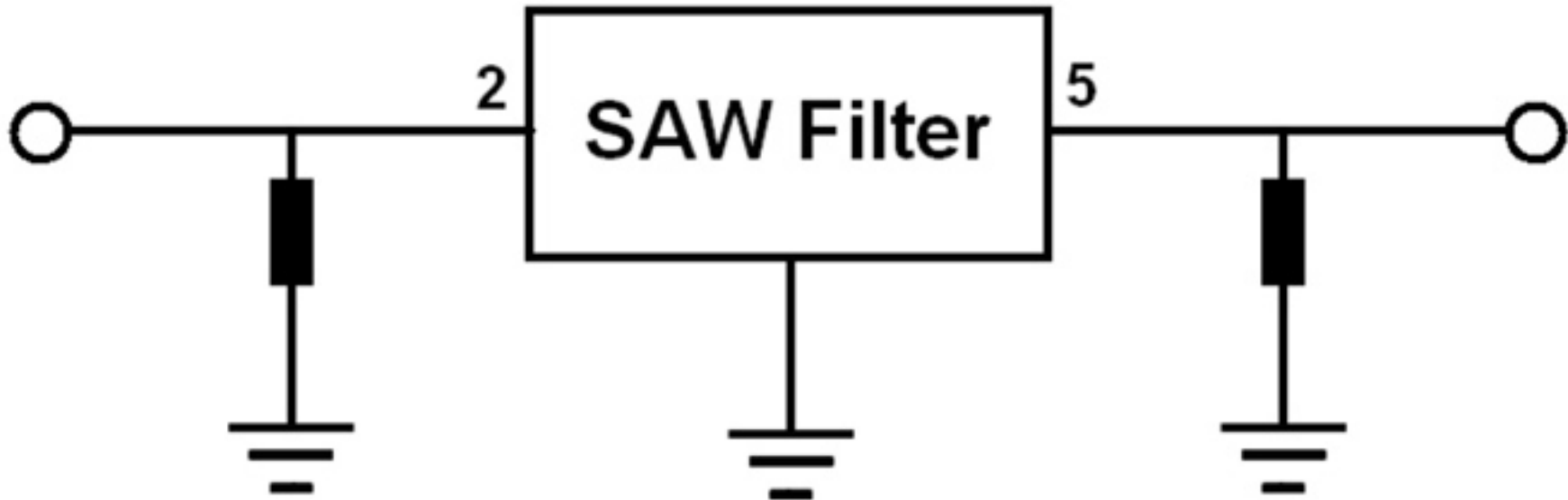
Terminating source impedance (single) :  $Z_s = 50 \Omega$

Terminating load impedance (single) :  $Z_L = 50 \Omega$

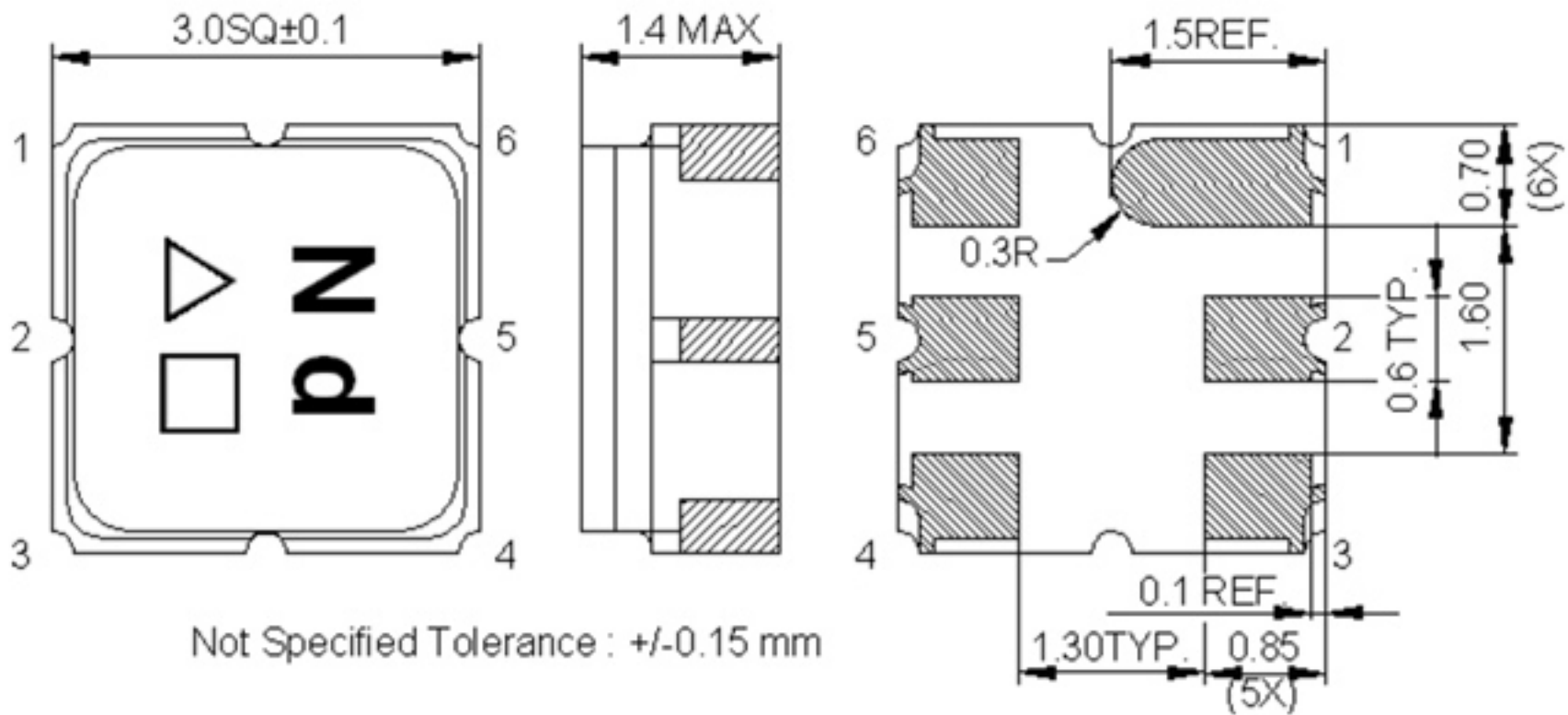
Item	Unit	Min.	Type.	Max.
<b>Center Frequency</b>	MHz	-	680.5	-
<b>Insertion Loss</b> (663 ~ 698 MHz)	dB	-	2.5	3.5
<b>Amplitude ripple</b> (663 ~ 698 MHz)	dB	-	1.0	2.0
<b>I/O Return Loss</b> (663 ~ 698 MHz)	-	8	11	-
<b>Group Delay Ripple</b> (663 ~ 698 MHz)	ns	-	25	40
<b>Attenuation</b>				
10 ~ 617 MHz	dB	30	32	-
617 ~ 640 MHz	dB	30	35	-
640 ~ 652 MHz	dB	5	18	-
710 ~ 720 MHz	dB	8	20	-
720 ~ 750 MHz	dB	20	24	-
750 ~ 3000 MHz	dB	20	25	-
<b>Temperature Coefficient of Frequency</b>	ppm/K	-	-36	-

## C. TEST CIRCUIT:

$L_p = 12 \text{ nH}$



**D. OUTLINE DRAWING:**



Not Specified Tolerance : +/-0.15 mm

**2: Input**  
**5: Output**  
**Other: Ground**  
**Unit: mm**

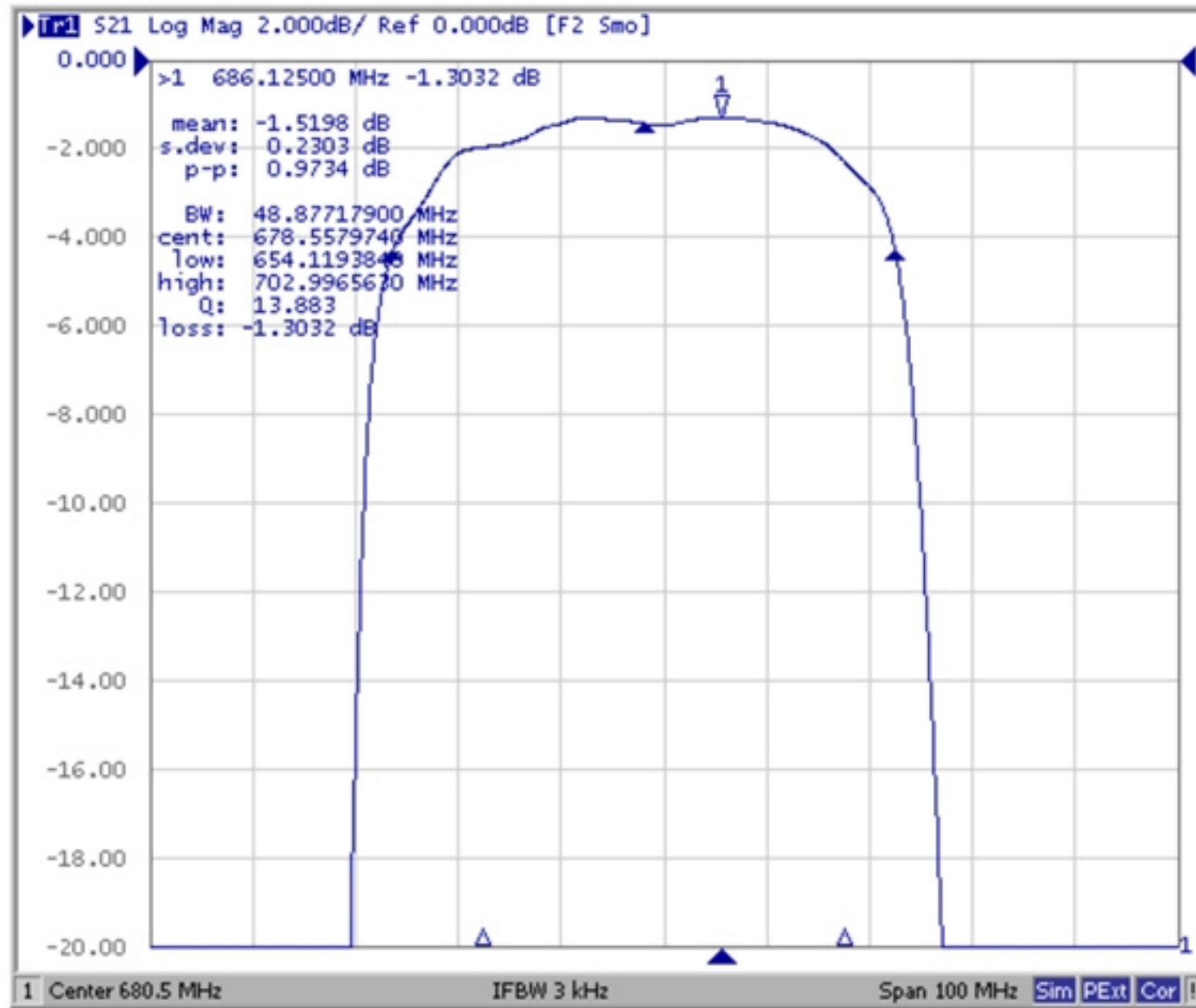
△ : Year Code (2009->9, 2010->0, ..., 2018->8)

□ : Date Code (Follow the table from planner each year)

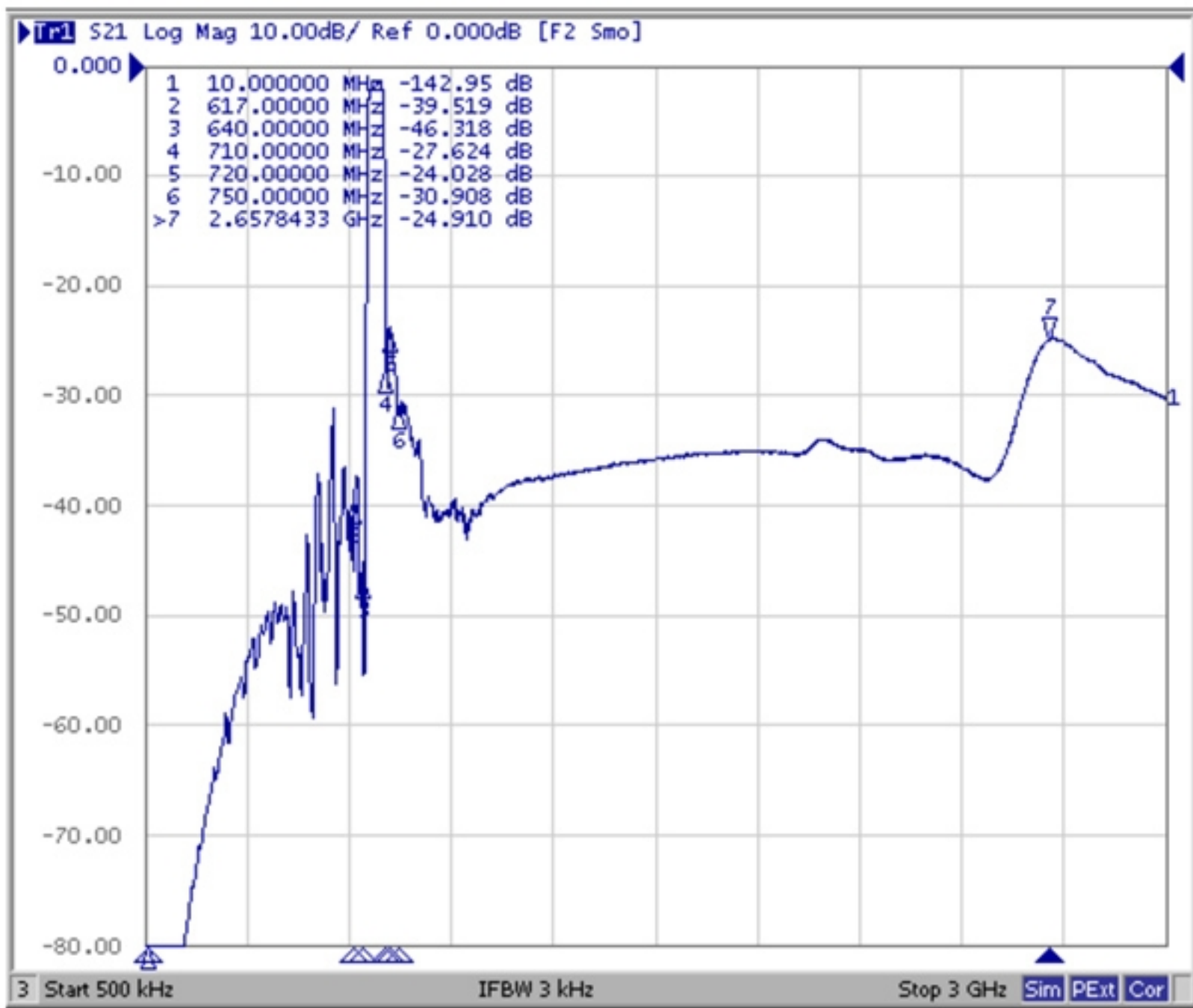
WK01	WK02	WK03	WK04	WK05	WK06	WK07	WK08	WK09	WK10	WK11	WK12	WK13
A	B	C	D	E	F	G	H	I	J	K	L	M
WK14	WK15	WK16	WK17	WK18	WK19	WK20	WK21	WK22	WK23	WK24	WK25	WK26
N	O	P	Q	R	S	T	U	V	W	X	Y	Z
WK27	WK28	WK29	WK30	WK31	WK32	WK33	WK34	WK35	WK36	WK37	WK38	WK39
a	b	c	d	e	f	g	h	i	j	k	l	m
WK40	WK41	WK42	WK43	WK44	WK45	WK46	WK47	WK48	WK49	WK50	WK51	WK52
n	o	p	q	r	s	t	u	v	w	x	y	z

## E. Frequency Characteristics:

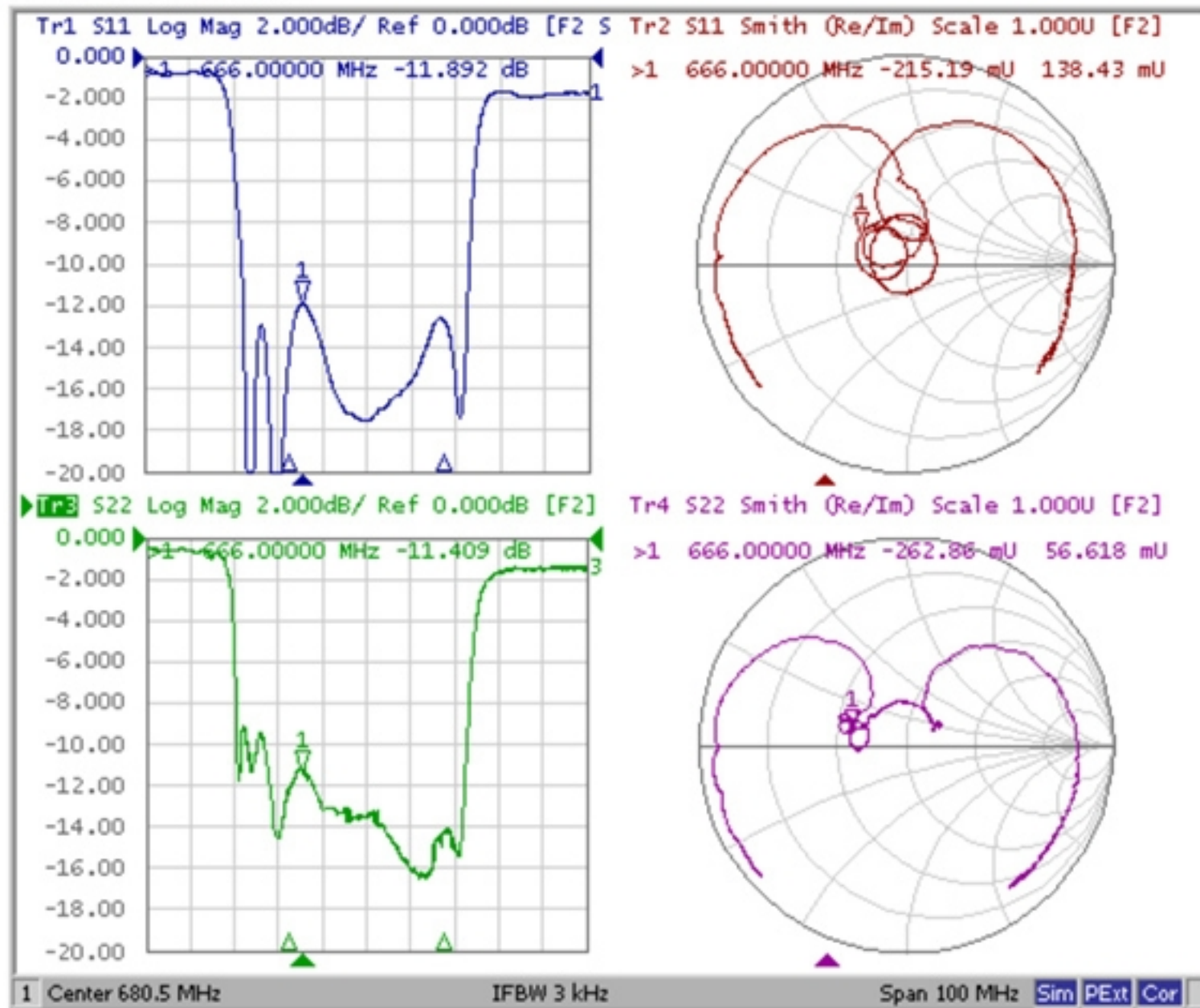
Span 100 MHz



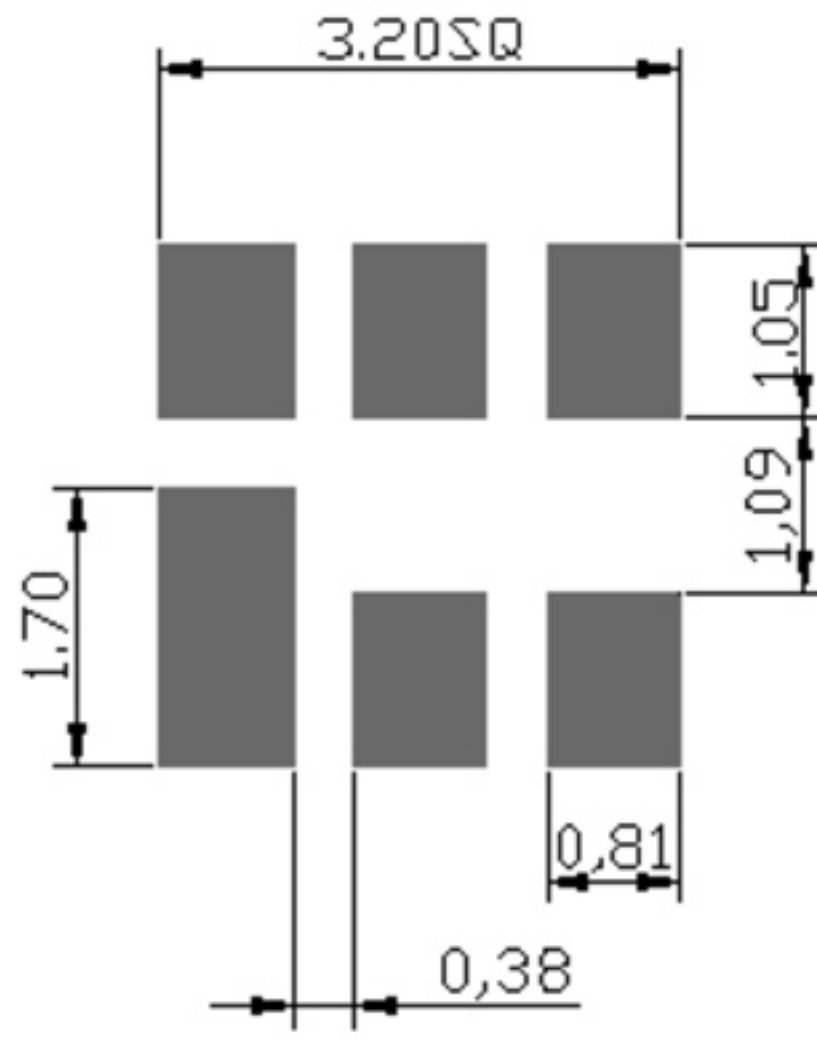
Span 3000 MHz



### Reflection Characteristic



**F. PCB FOOTPRINT:**



**G. PACKING:**

**1. REEL DIMENSION**

(Please refer to FR-75D10 for packing quantity)

