

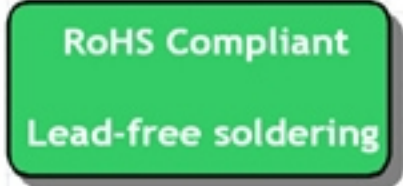
SAW Filter 710 MHz

MODEL NO.:TA2439C

REV.1.0

A. MAXIMUM RATING:

1. Input Power Level: 10 dBm (In passband)
2. DC Voltage: +/-5 V
3. Operating Temperature: -40 °C to +85 °C
4. Storage Temperature: -40 °C to +100 °C
5. Moisture Sensitive Level: Level 1 (MSL1)
6. ESD: 100 V(MM), 200 V(HBM)



Electrostatic Sensitive Device (ESD)

B. ELECTRICAL CHARACTERISTICS:

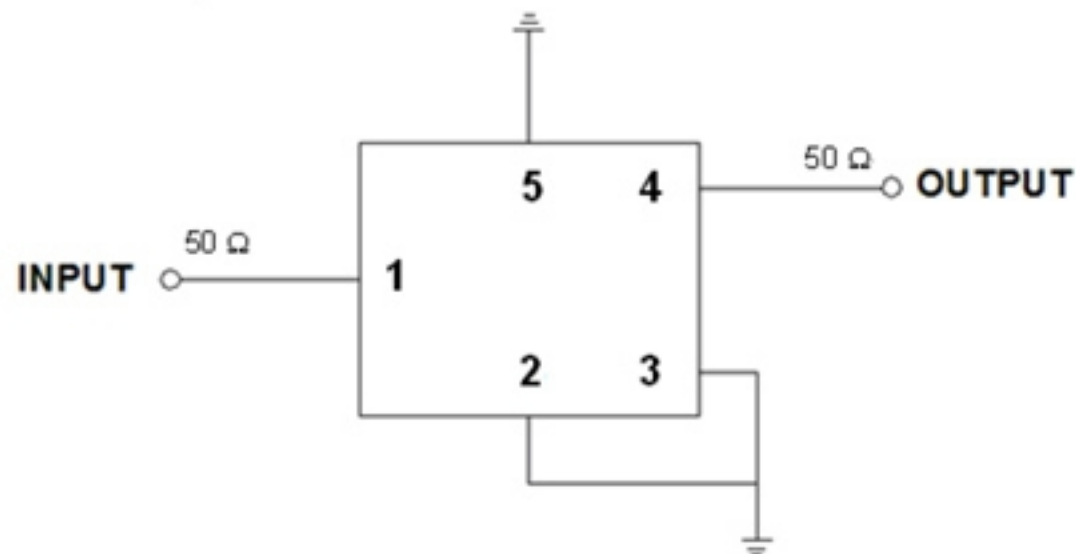
Terminating source impedance: $Z_s=50 \Omega$

Terminating load impedance: $Z_L=50 \Omega$

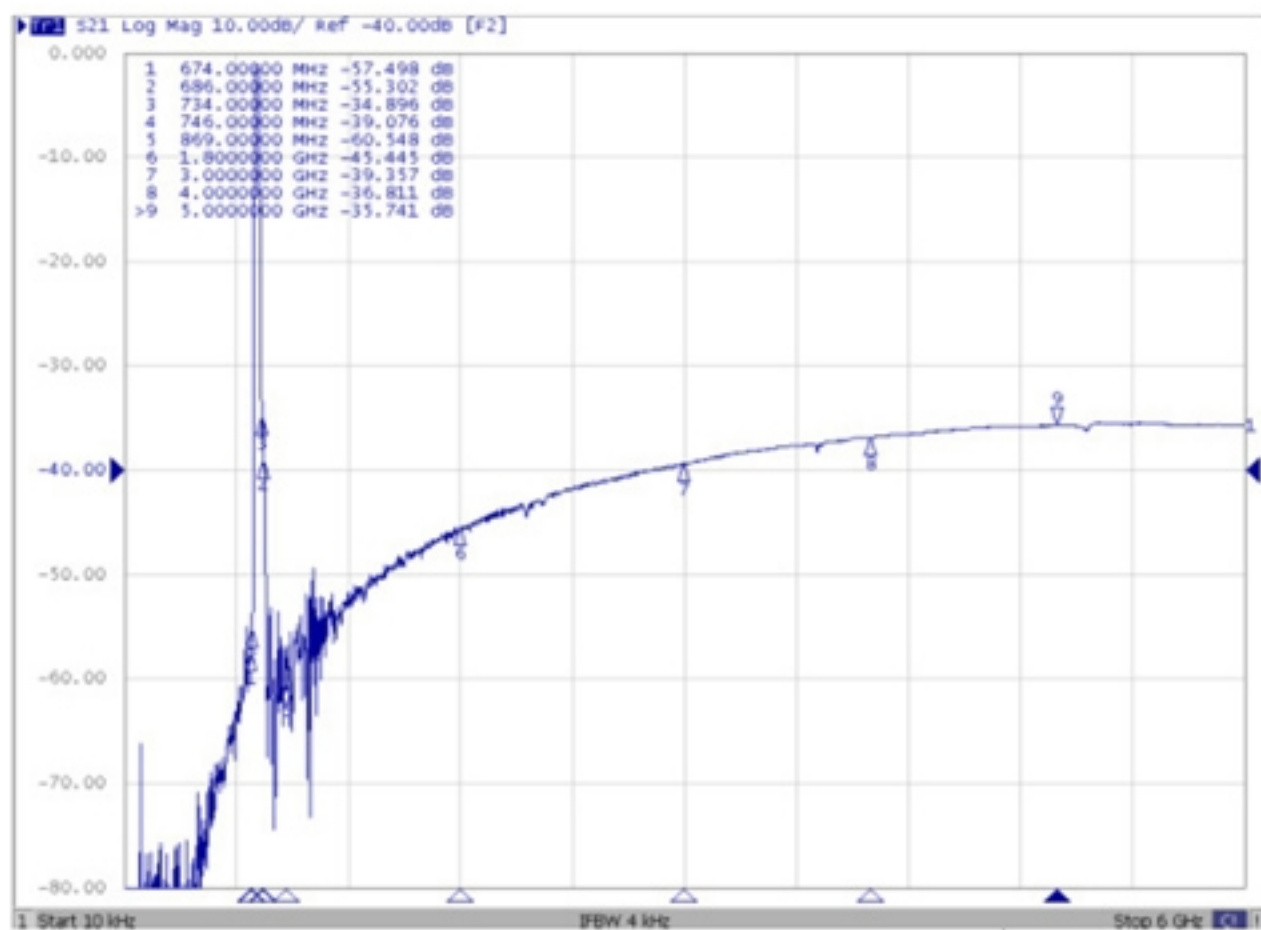
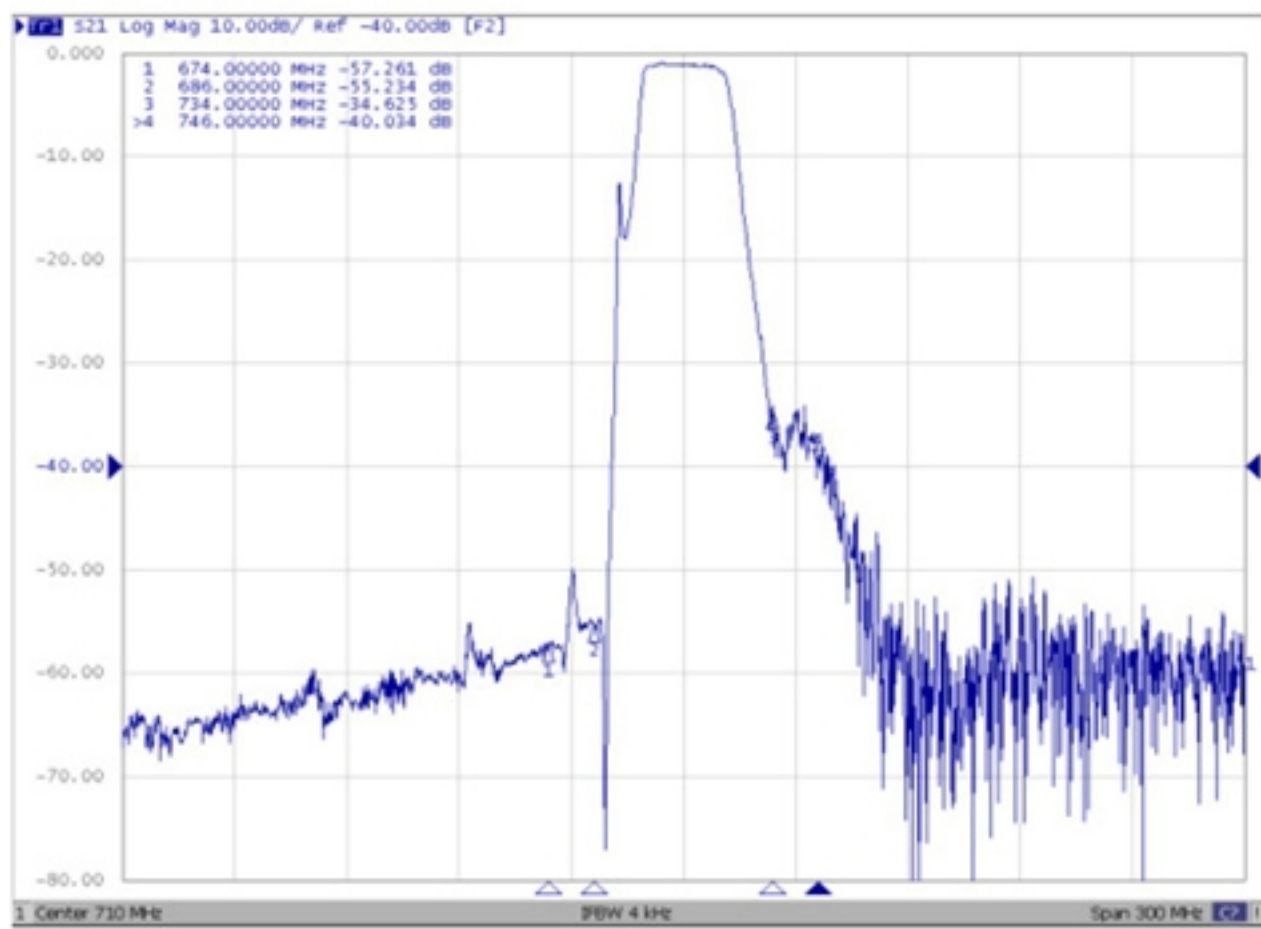
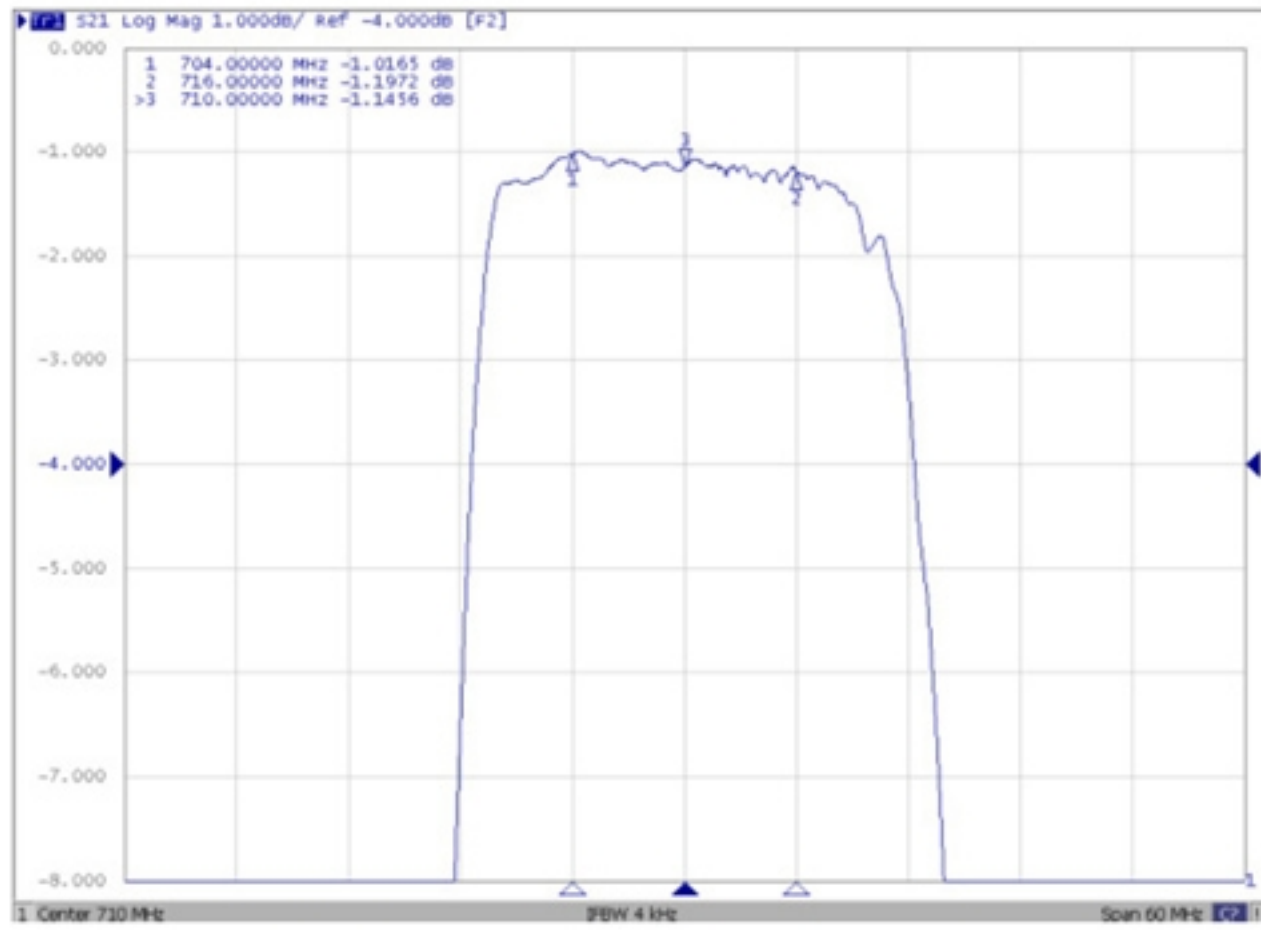
Parameters Description	Unit	Min.	Typ.	Max.
Center Frequency	Fc			
	MHz	-	710	-
Insertion Loss (704~716 MHz)	IL			
	dB(*1)	-	1.3	1.9
Amplitude Ripple(704~716 MHz)	dB	-	0.4	1.1
VSWR (704~716 MHz)	-	-	1.5	2.0
Attenuation (Reference level from 0 dB)				
DC ~ 674 MHz	dB	45	55	-
674 ~ 686 MHz	dB	35	47	-
734 ~ 746 MHz	dB	26	33	-
869 ~ 1800 MHz	dB	35	45	-
1800 ~ 3000 MHz	dB	25	40	-
3000 ~ 4000 MHz	dB	20	38	-
4000 ~ 5000 MHz	dB	20	37	-
5000 ~ 6000 MHz	dB	20	37	-

(*1) Specification of insertion loss includes loss that comes from the test board. (0.05 dB)

C. MEASUREMENT CIRCUIT:

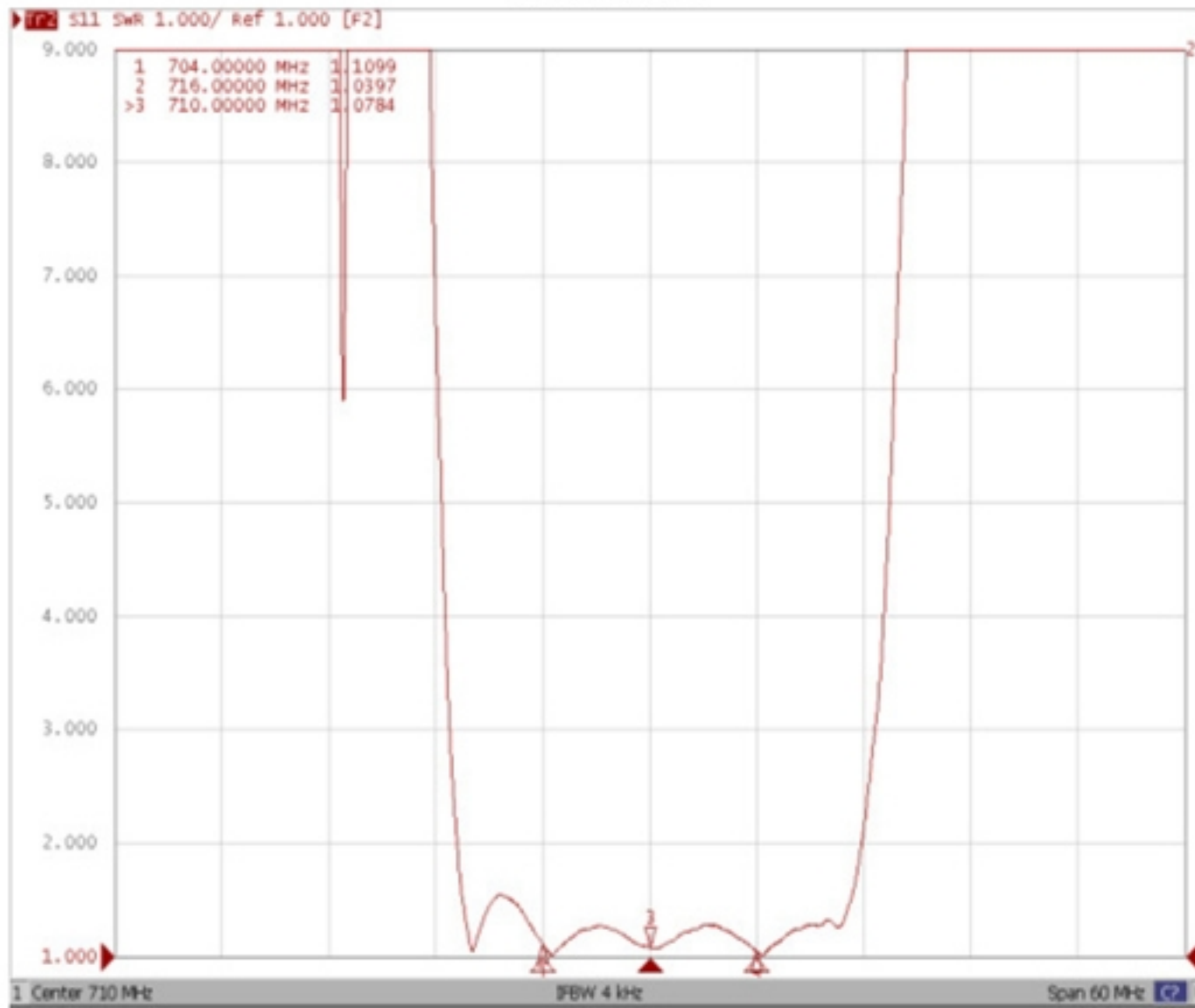


D. FREQUENCY CHARACTERISTIC:

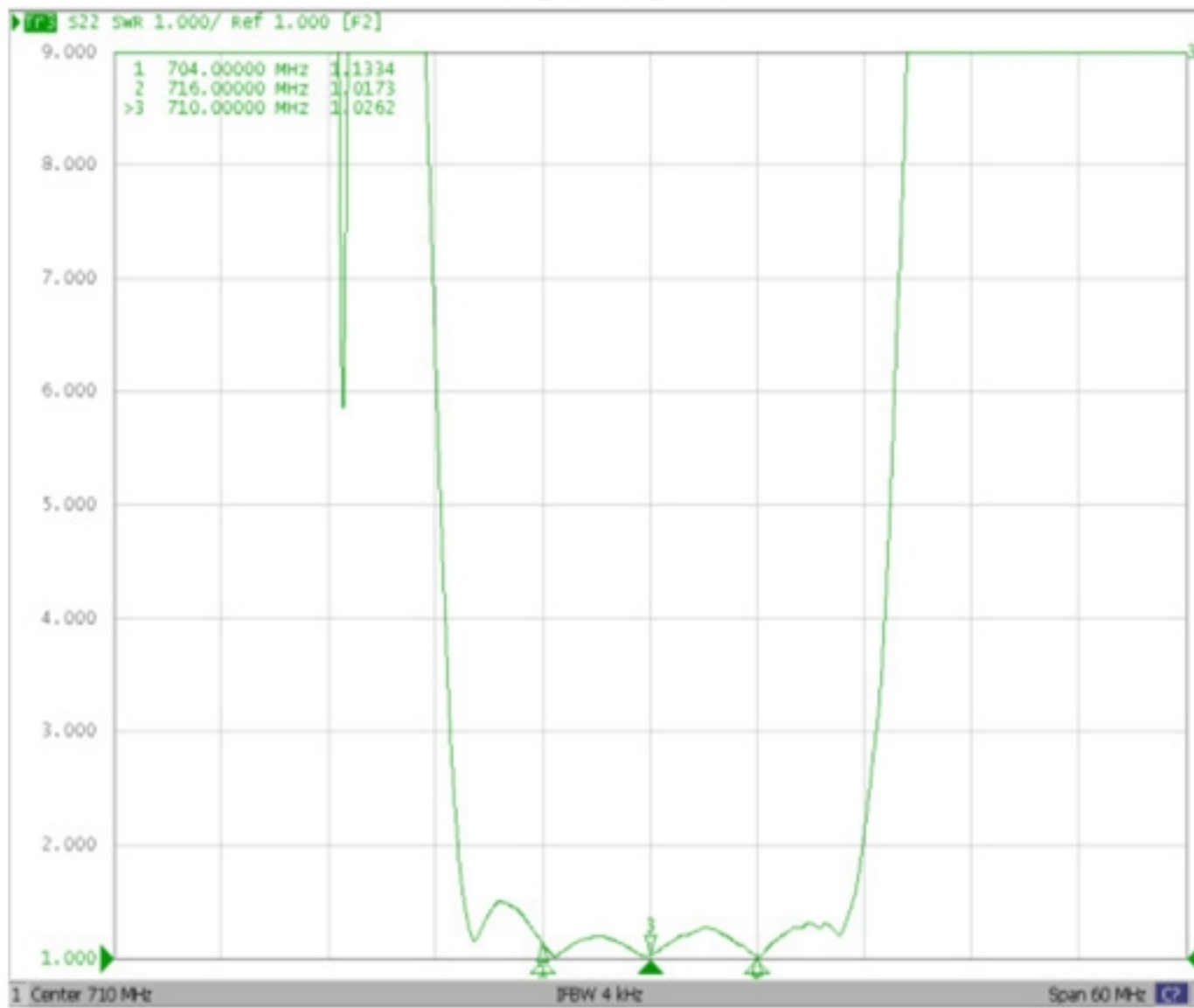


Reflection Functions:

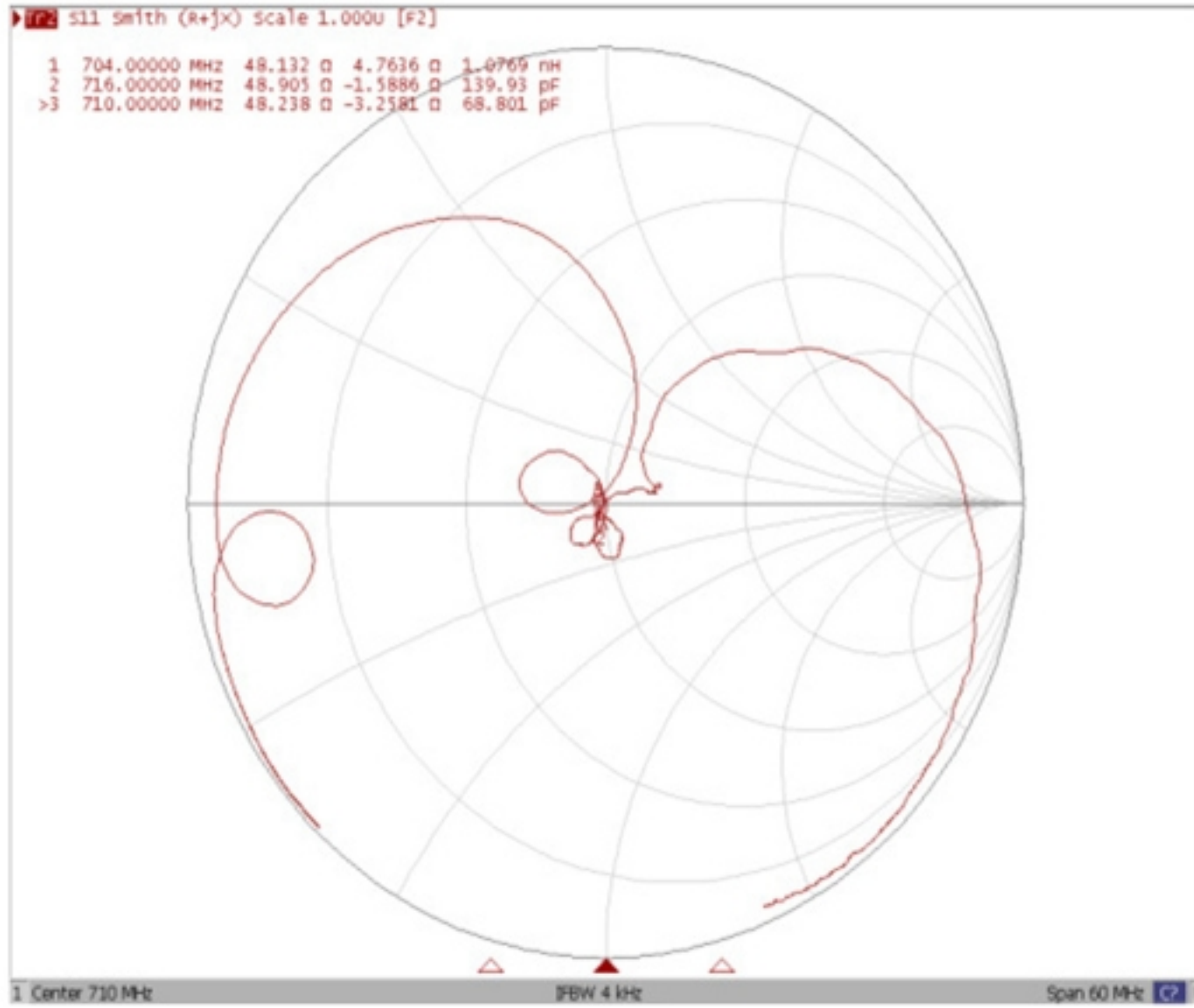
VSWR S11



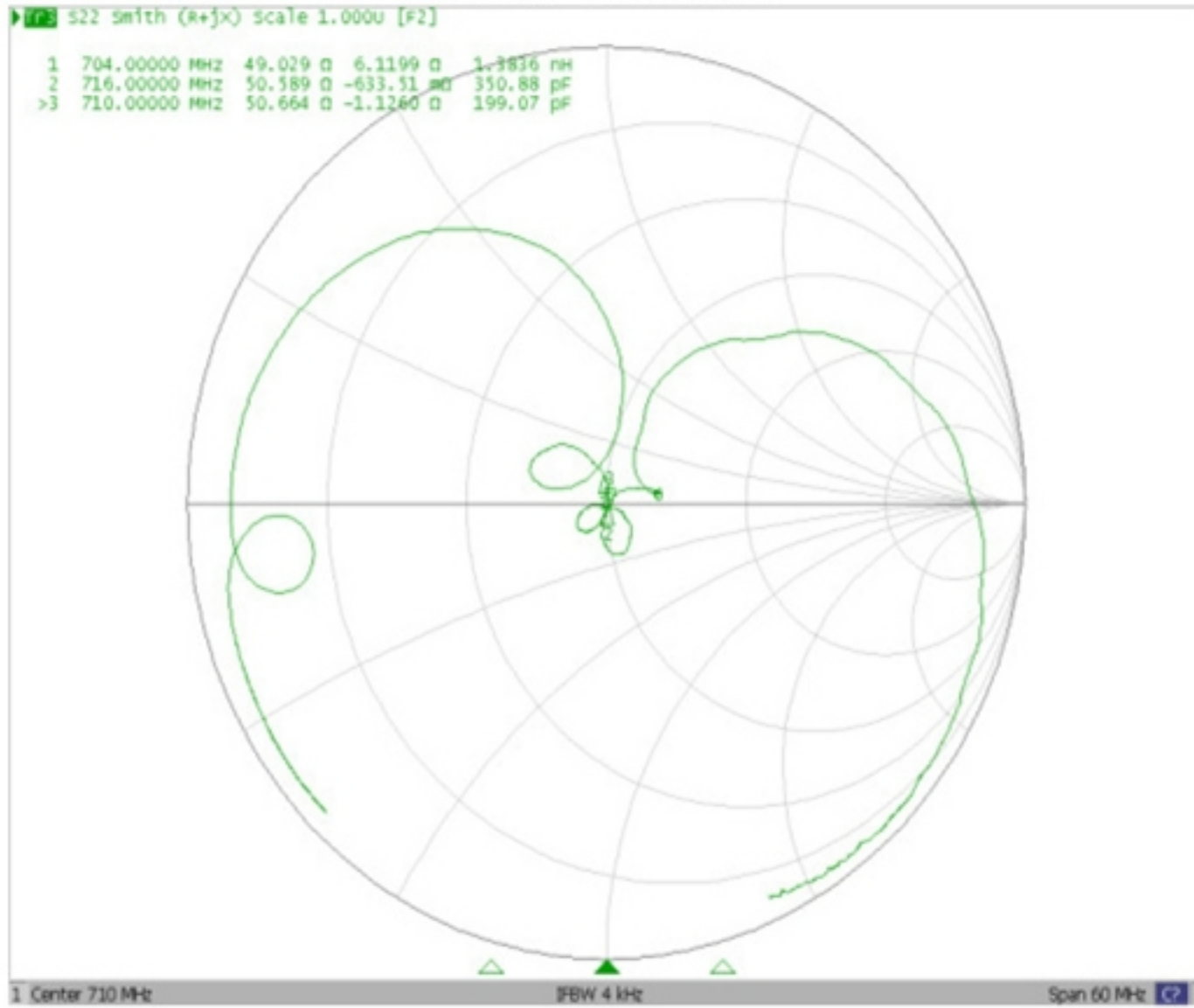
VSWR S22



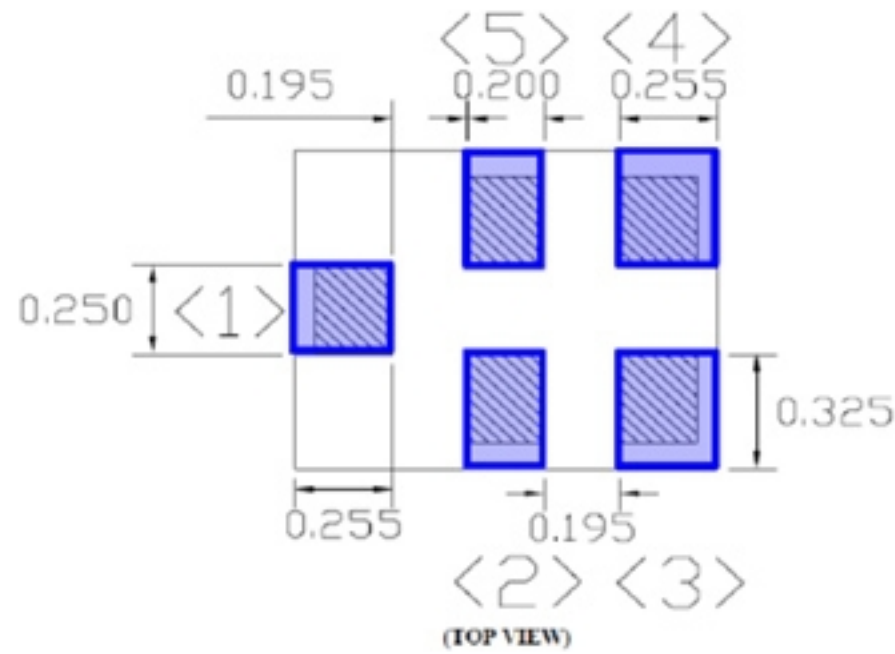
Smith Chart S11



Smith Chart S22

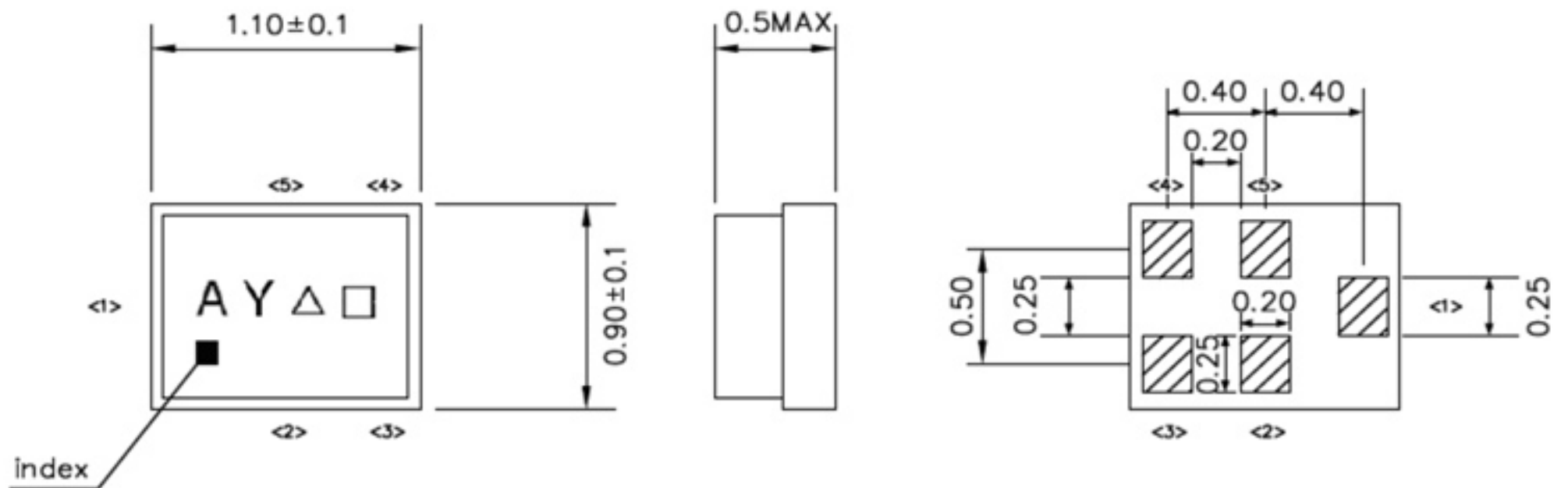


E. PCB Footprint:



F OUTLINE DRAWING (Mass Production):

Device size: 1.1typ. x 0.9typ. x 0.5max.



Unit : mm

Not Specified Tolerance : +/-0.1 mm

Pin Configuration

Pin No.	Symbol	Function
1	IN	Unbalanced pin
2	GND	Ground
3	GND	Ground
4	OUT	Unbalanced pin
5	GND	Ground

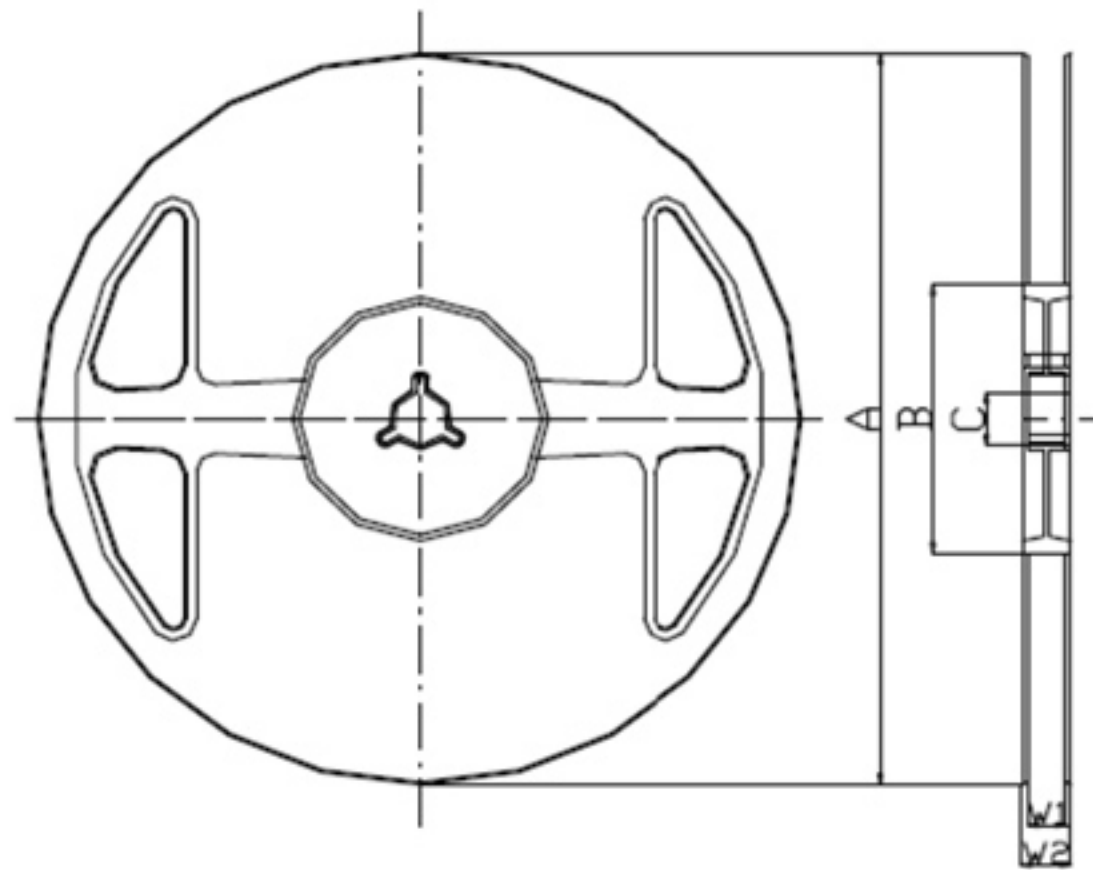
△ : Date Code

□ : Lot No. (Indicated by 0~9 or A to Z and a to z, except I, O, i, o and l)

Date Code: Follow below table. (4-year cycle)

Year	Jan	Feb	Mar	Apr	May	Jun	Jul	Aug	Sep	Oct	Nov	Dec
2019 / 2023	a	b	c	d	e	f	g	h	j	k	l	m
2020 / 2024	n	p	q	r	s	t	u	v	w	x	y	z
2021 / 2025	A	B	C	D	E	F	G	H	J	K	L	M
2022 / 2026	N	P	Q	R	S	T	U	V	W	X	Y	Z

G. PACKING: (Ref: WI-75M03)
1. REEL DIMENSION



Materials of Reel

Material : Polystyrene + Carbon

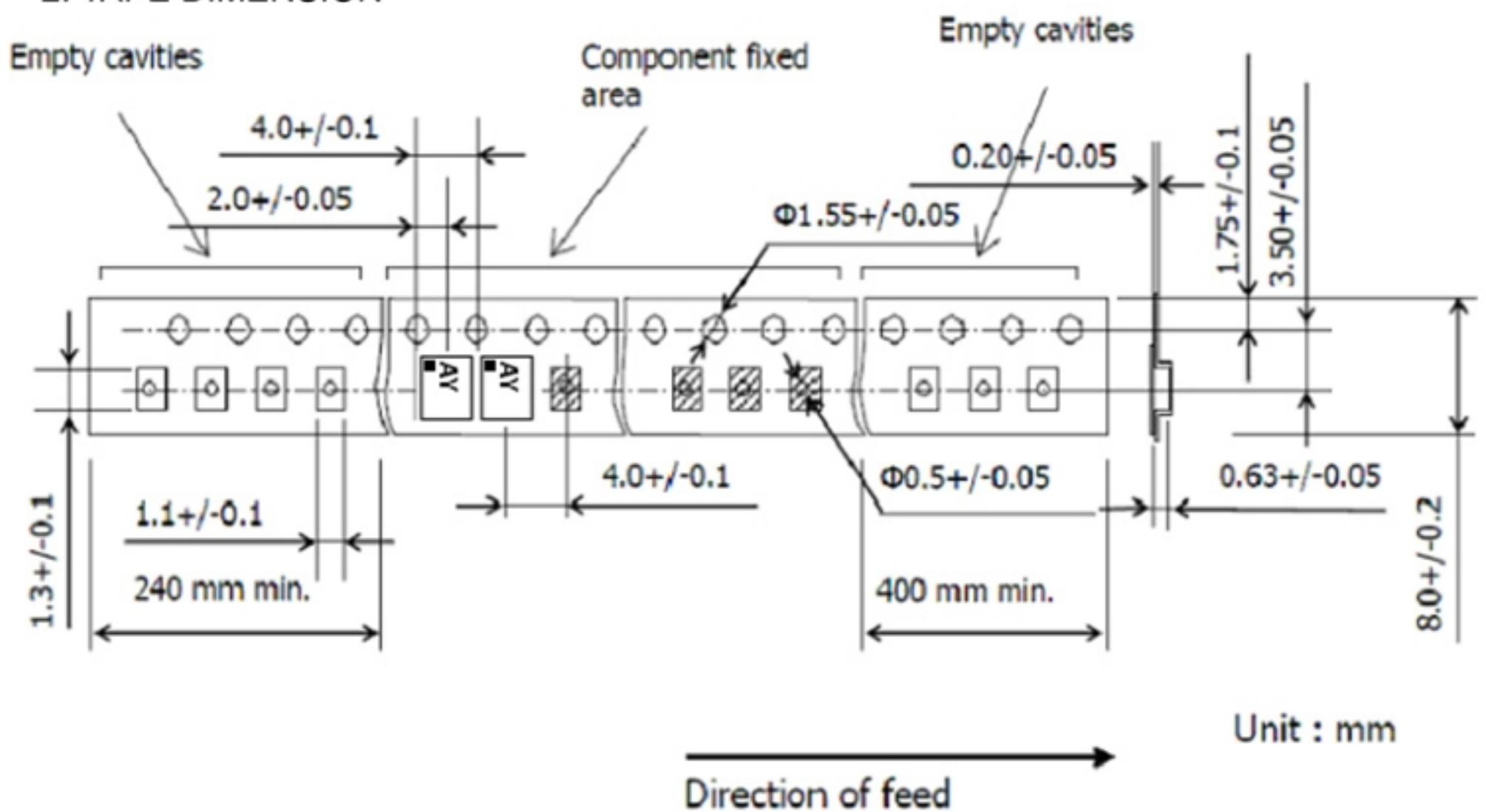
Color : Black

Surface resistance (reference value) : $10^9 \Omega/\text{sq}$ Max.

Unit : mm

A	B	C	W1	W2
$\phi 180.0 +0.0/-1.5$	$\phi 66.0 +/-0.5$	$\phi 13.0 +/-0.2$	$9.0 +1.0/-0.0$	$11.4 +/-1.0$

2. TAPE DIMENSION



Unit : mm

Direction of feed

H. Recommended Reflow Profile:

1. Preheating shall be fixed at 150~180°C for 60~90 seconds.
2. Ascending time to preheating temperature 150°C shall be 30 seconds min.
3. Heating shall be fixed at 220°C for 50~80 seconds and at 260°C +0/-5°C peak (20~40sec).
4. Time: 2 times.

