

SAW Filter 808 MHz

MODEL NO.: TA0451A

REV. NO.:2.0

A. MAXIMUM RATING:

1. Input Power Level: 15 dB_m
2. DC voltage: 5 V
3. Operating Temperature: -10°C to 60°C
4. Storage Temperature: -40°C to +85°C
5. Moisture Sensitivity Level: Level 1(MSL1)

RoHS Compliant
Lead free
Lead-free soldering

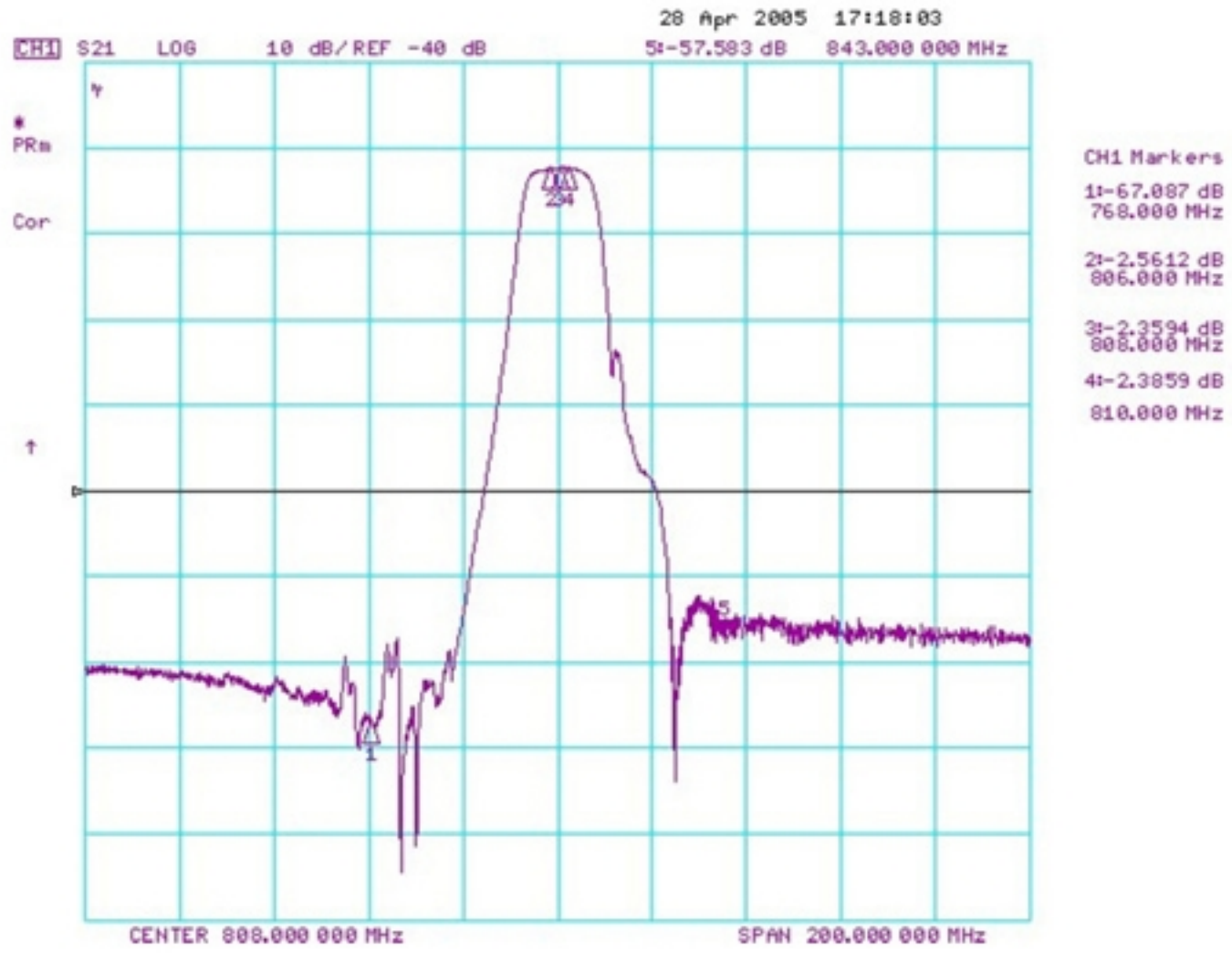
Electrostatic Sensitive Device

B. CHARACTERISTICS:

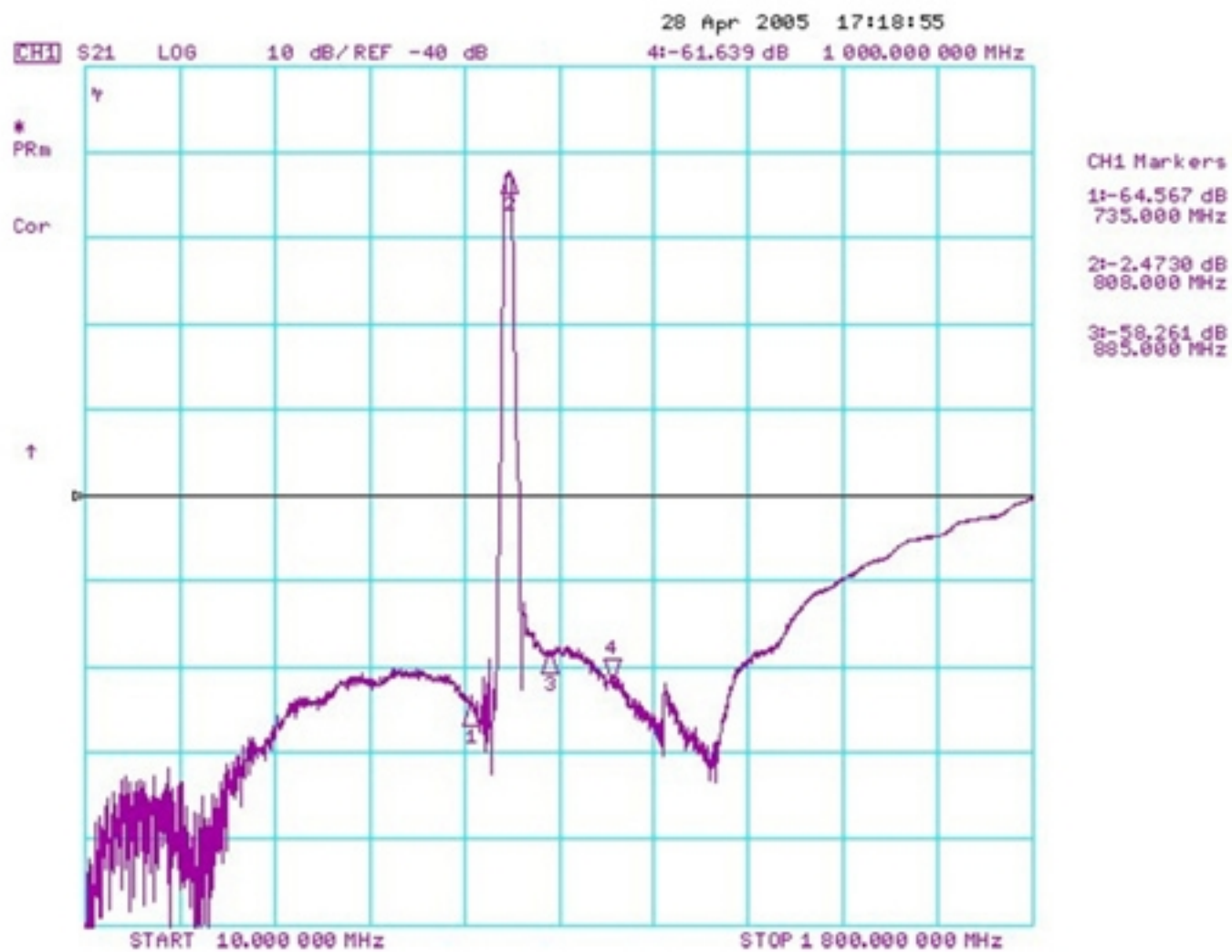
Item				Min.	Typ.	Max.
Center frequency	Fc	MHz		-	808	-
Insertion loss	806 ~ 810 MHz	IL	dB	-	2.6	4.2
Amplitude ripple	806 ~ 810 MHz		dB	-	0.3	2.0
VSWR	806 ~ 810 MHz			-	1.4	2.2
Attenuation						
10.0 ~ 735.0		MHz	dB	40	60	-
735.0 ~ 768.0		MHz	dB	35	57	-
843.0 ~ 865.0		MHz	dB	35	53	-
865.0 ~ 885.0		MHz	dB	37	55	-
885.0 ~ 1000.0		MHz	dB	40	55	-
Source impedance		Zs	Ω	-	50	-
Load impedance		ZL	Ω	-	50	-

Note1. No matching network required for operation at 50Ω

C. TRANSFER FUNCTION:

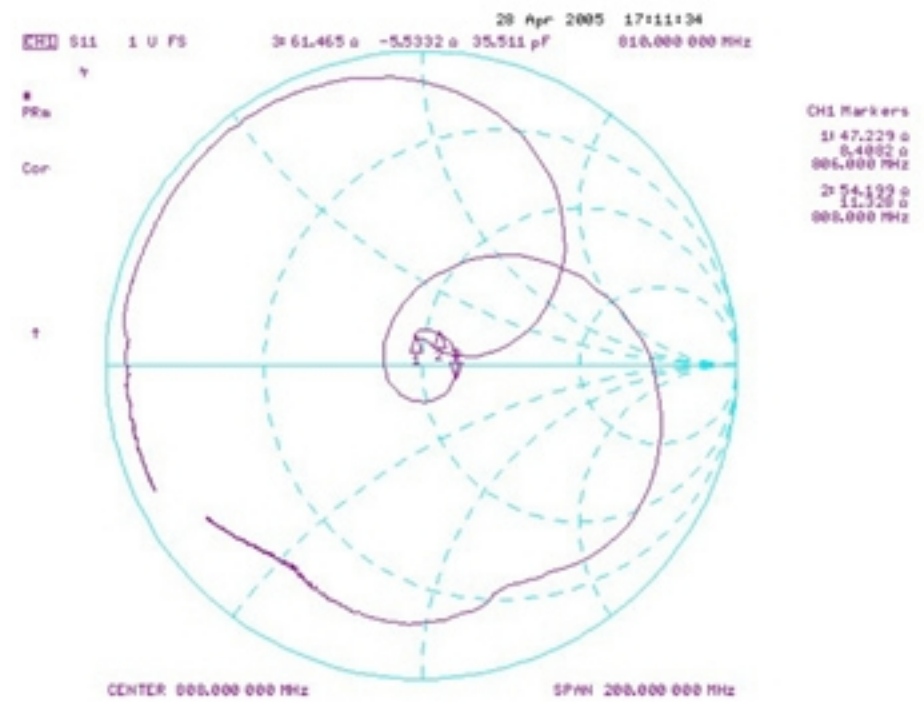
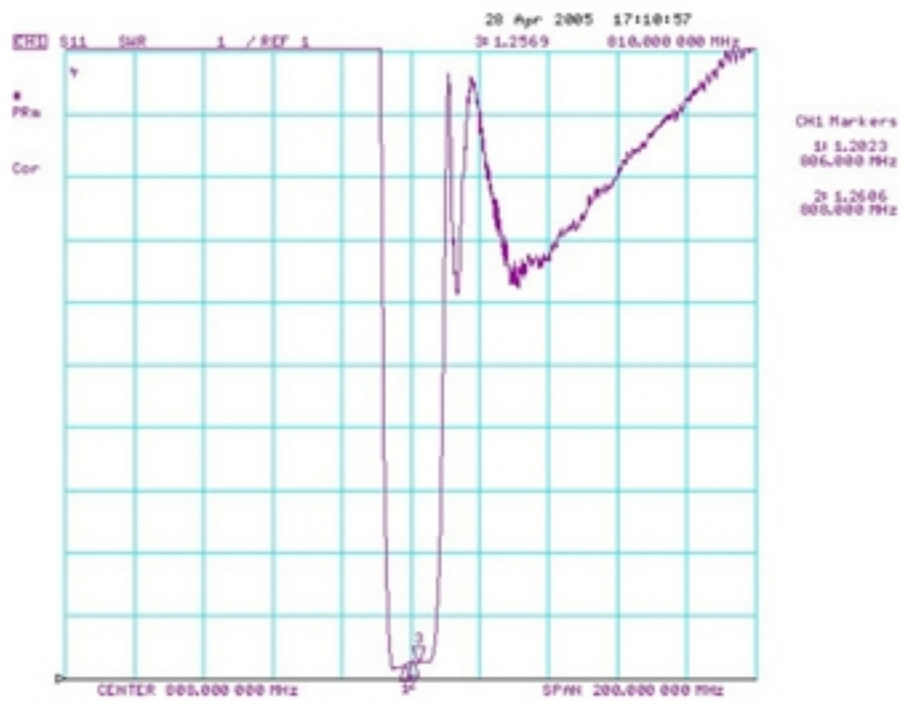


Wideband

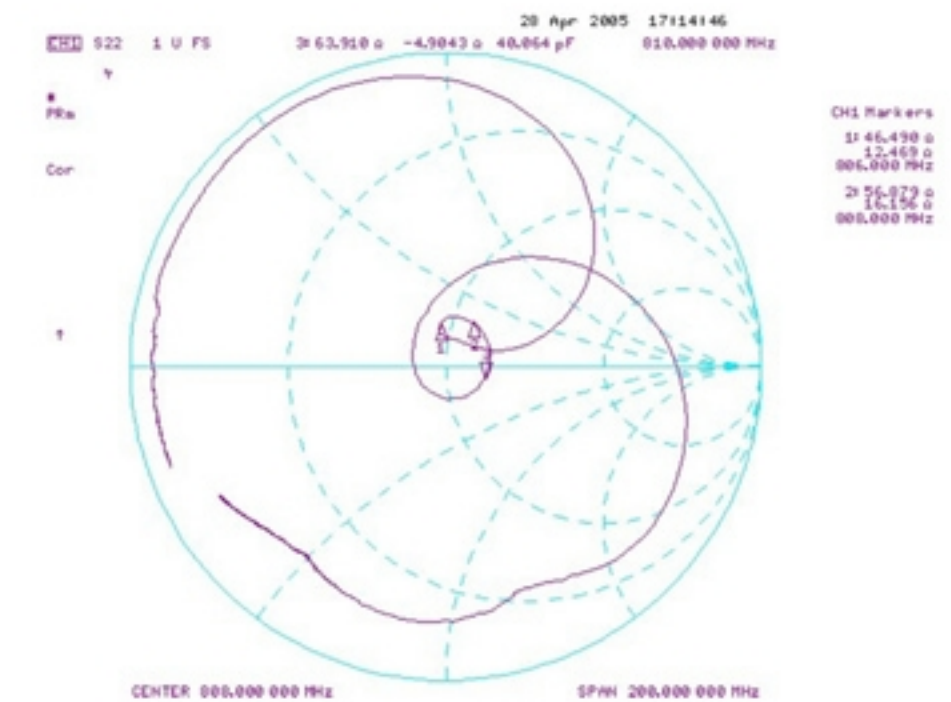
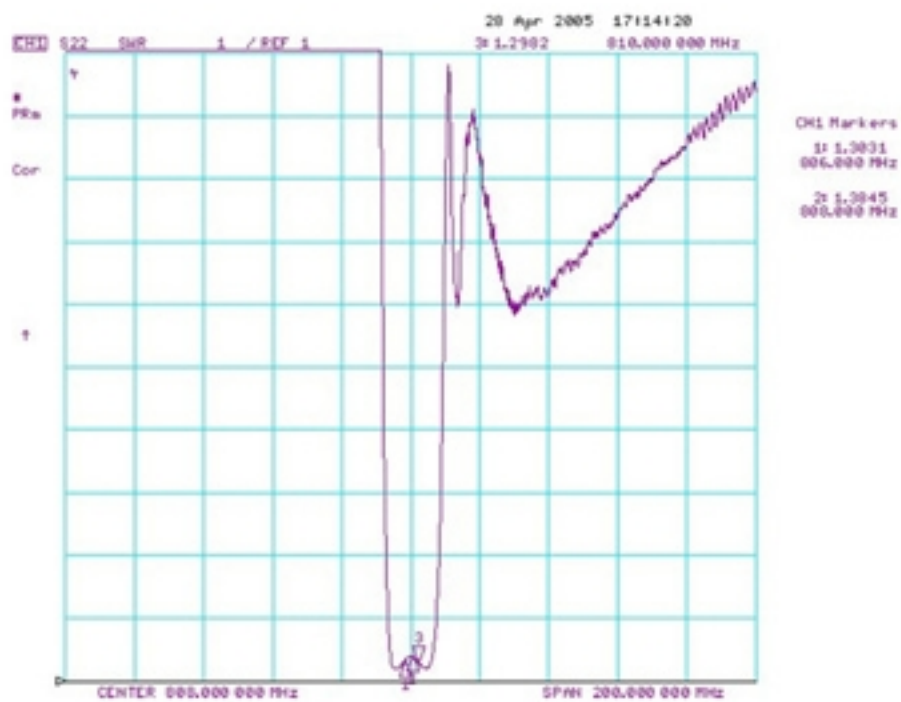


D. REFLECTION FUNCTIONS:

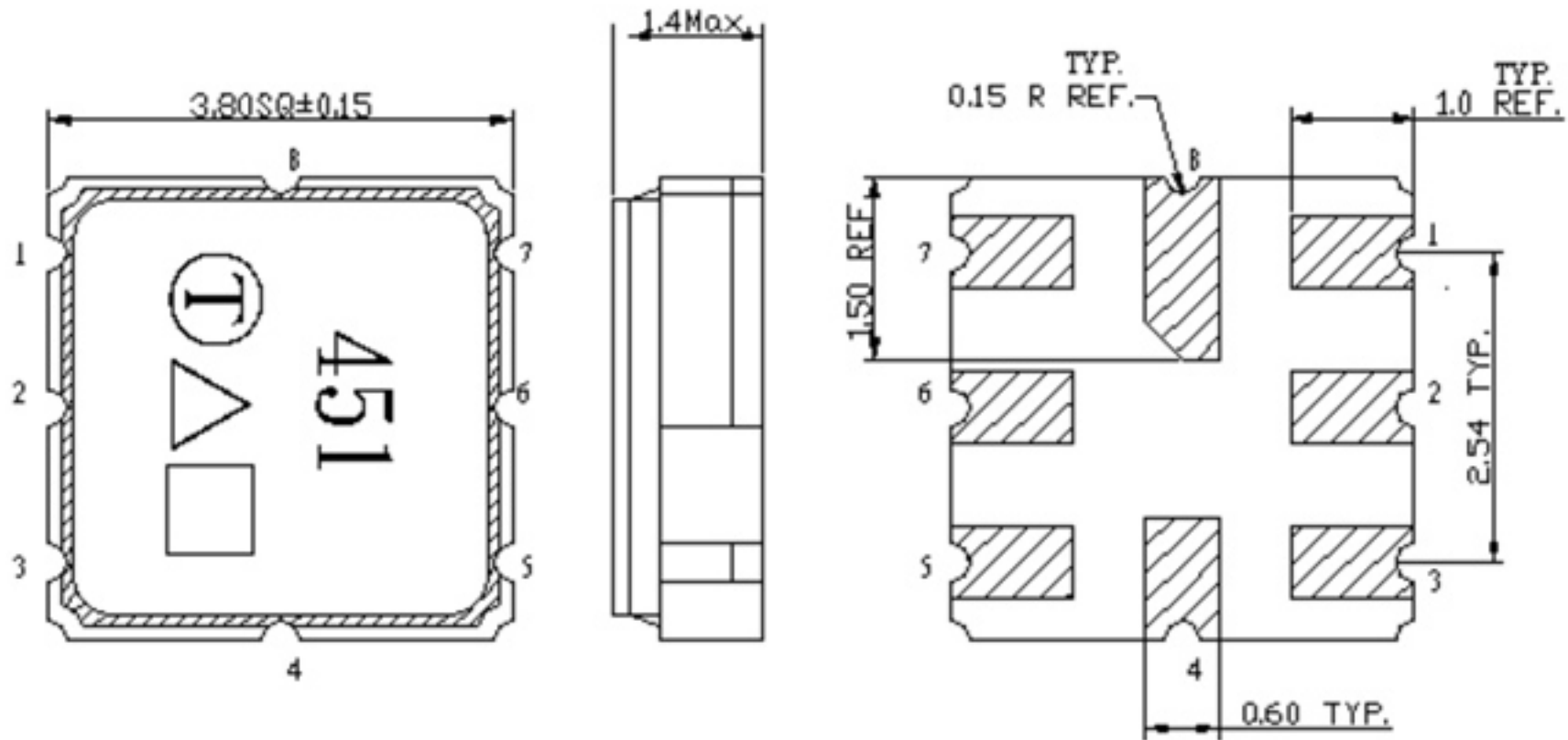
S11



S22



E.OUTLINE DRAWING:



- #2 : Input
- #6 : Output
- #1, 3, 4, 5, 7, 8 : Ground
- △ : Year code
- : Date code
- Unit : mm

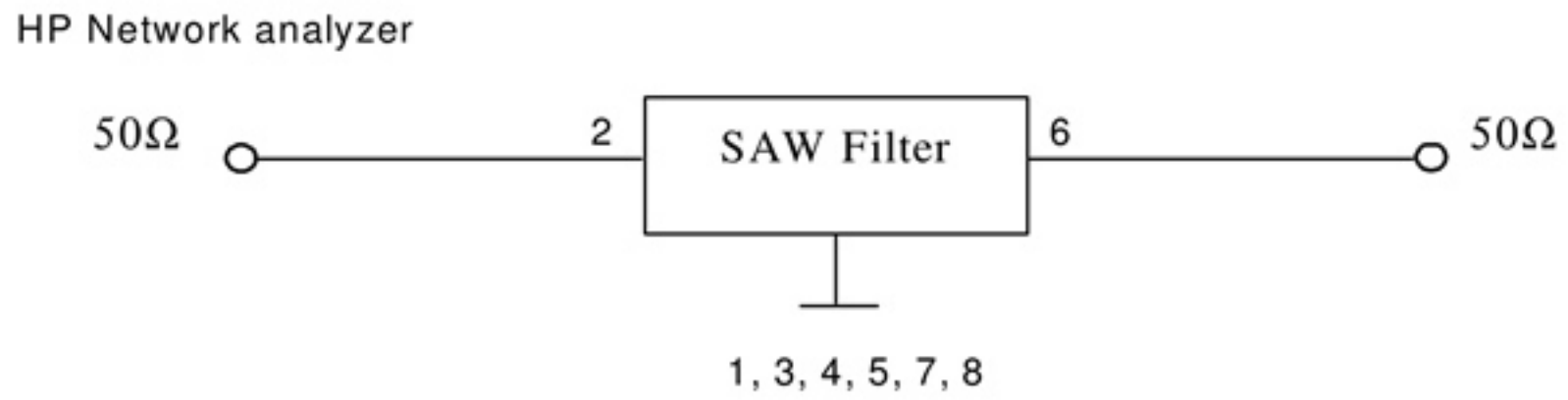
Product / Year Code- 4year cycle

Year	2019 2021	2020 2022
Product Code	A	a

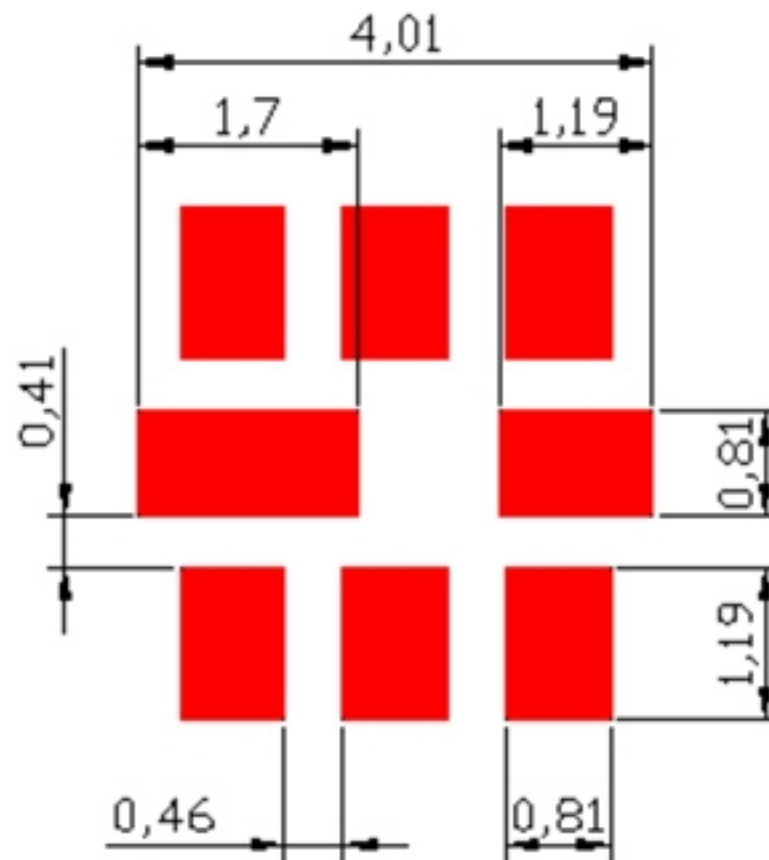
Week Code Table

WK01	WK02	WK03	WK04	WK05	WK06	WK07	WK08	WK09	WK10	WK11	WK12	WK13
A	B	C	D	E	F	G	H	I	J	K	L	M
WK14	WK15	WK16	WK17	WK18	WK19	WK20	WK21	WK22	WK23	WK24	WK25	WK26
N	O	P	Q	R	S	T	U	V	W	X	Y	Z
WK27	WK28	WK29	WK30	WK31	WK32	WK33	WK34	WK35	WK36	WK37	WK38	WK39
a	b	c	d	e	f	g	h	i	j	k	l	m
WK40	WK41	WK42	WK43	WK44	WK45	WK46	WK47	WK48	WK49	WK50	WK51	WK52
n	o	p	q	r	s	t	u	v	w	x	y	z

F. MEASUREMENT CIRCUIT:

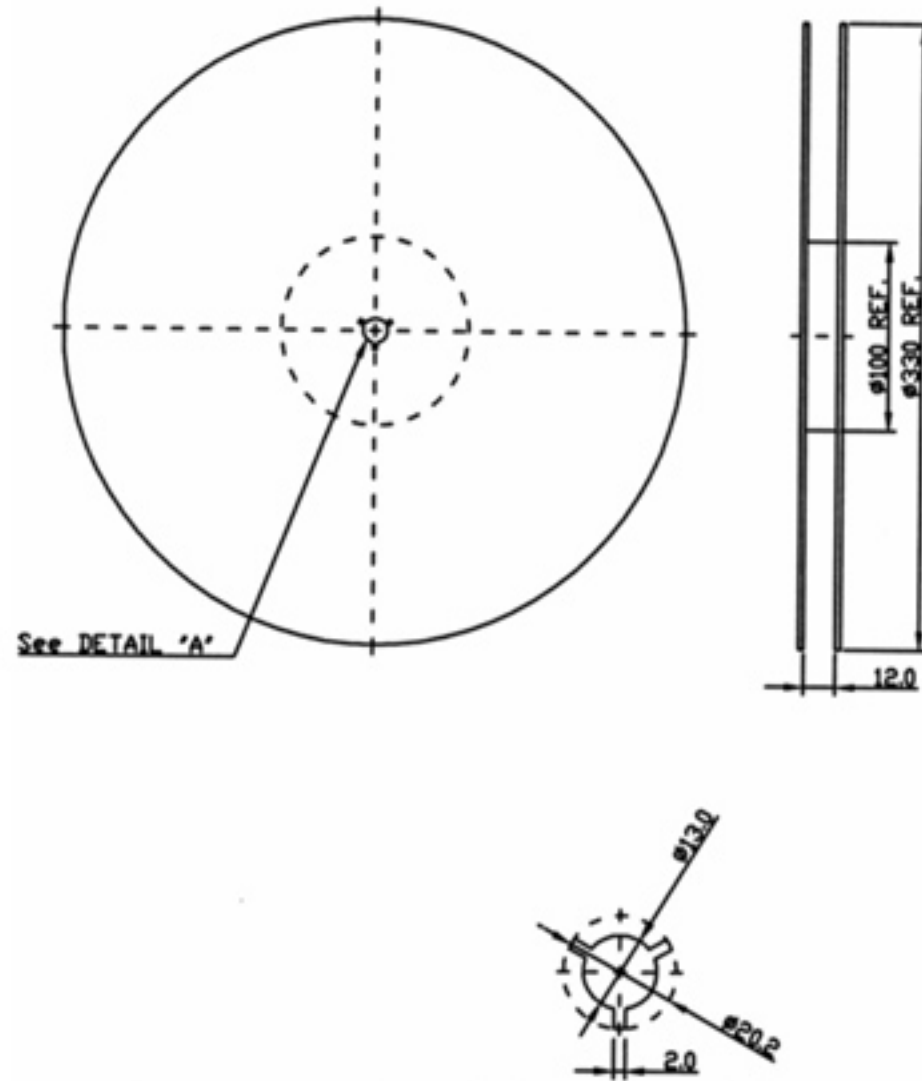


G. PCB FOOTPRINT:

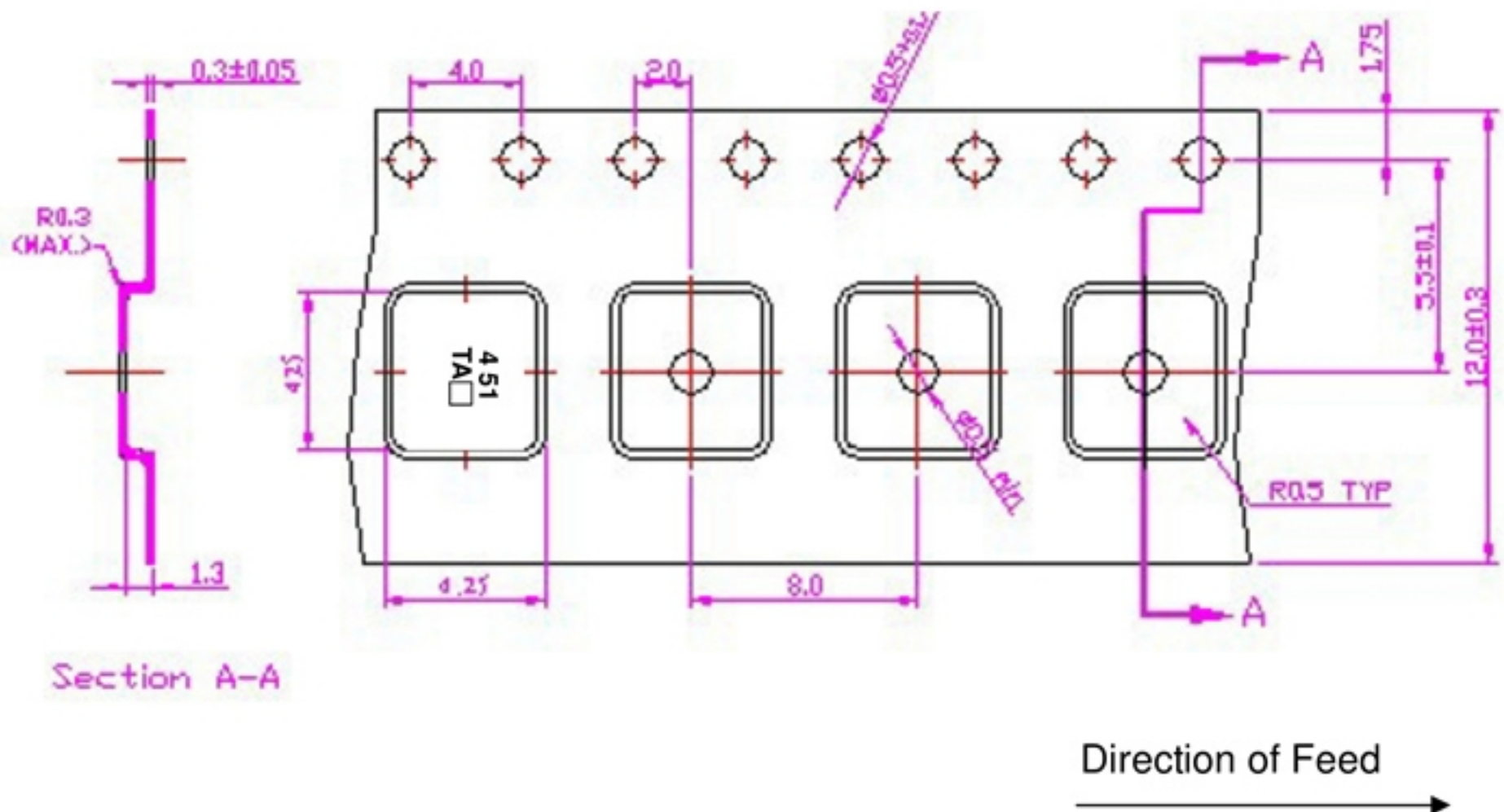


H. PACKING:

1. REEL DIMENSION (Please refer to FR-75D10 for packing quantity)



2. TAPE DIMENSION



I. RECOMMENDED REFLOW PROFILE:

1. Preheating shall be fixed at $150\sim 180^{\circ}\text{C}$ for $60\sim 90$ seconds.
2. Ascending time to preheating temperature 150°C shall be 30 seconds min.
3. Heating shall be fixed at 220°C for $50\sim 80$ seconds and at $260^{\circ}\text{C} +0/-5^{\circ}\text{C}$ peak ($20\sim 40\text{sec}$).
4. Time: 2 times.

