

LTCC Filter 824 ~ 915(869.5) MHz SMD 0.65X0.5 mm (91 MHz BW)

MODEL NO.:TL0026A

REV.1

A. MAXIMUM RATING:

1. Operating temperature range: -40 °C to +85 °C
2. Storage temperature range: -40 °C to +85 °C
3. Moisture Sensitive Level: Level 1 (MSL1)

RoHS Compliant
Lead free
Lead-free soldering

Electrostatic Sensitive Device (ESD)

B. ELECTRICAL CHARACTERISTICS:

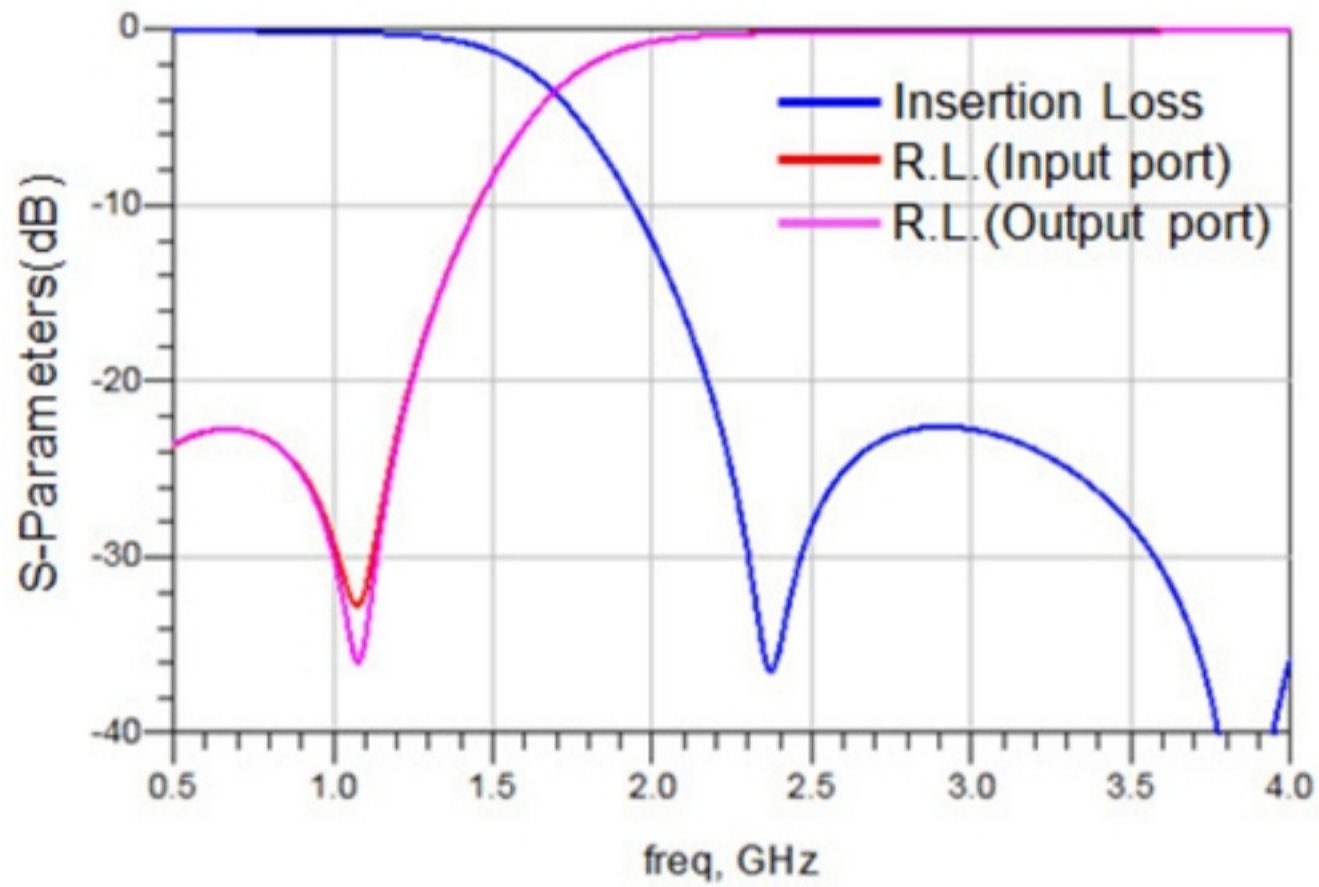
Source impedance (unbalanced) : $Z_s = 50 \Omega$

Load Impedance (balanced) : $Z_L = 50 \Omega$

Item		Unit	Spec
Frequency Range		MHz	824~915(869.5)
Insertion loss	at 25°C	dB	0.5 Max
	at -40 ~ +85°C	dB	0.7 Max
Attenuation 2400 ~ 2750 MHz		dB	20 Min
VSWR		dB	2.0 Max

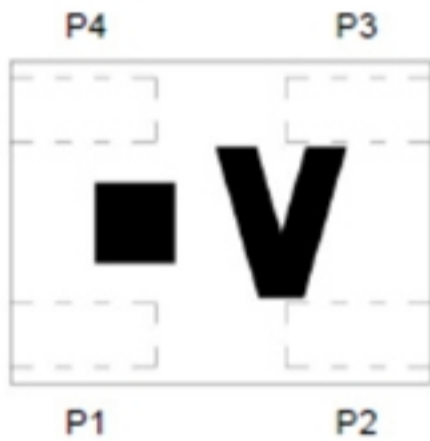
C. FREQUENCY CHARACTERISTICS:

Frequency Response



D. Outline Drawing:

Top view



PIN	Connection
1	Input port
2	Output port
3	GND
4	GND

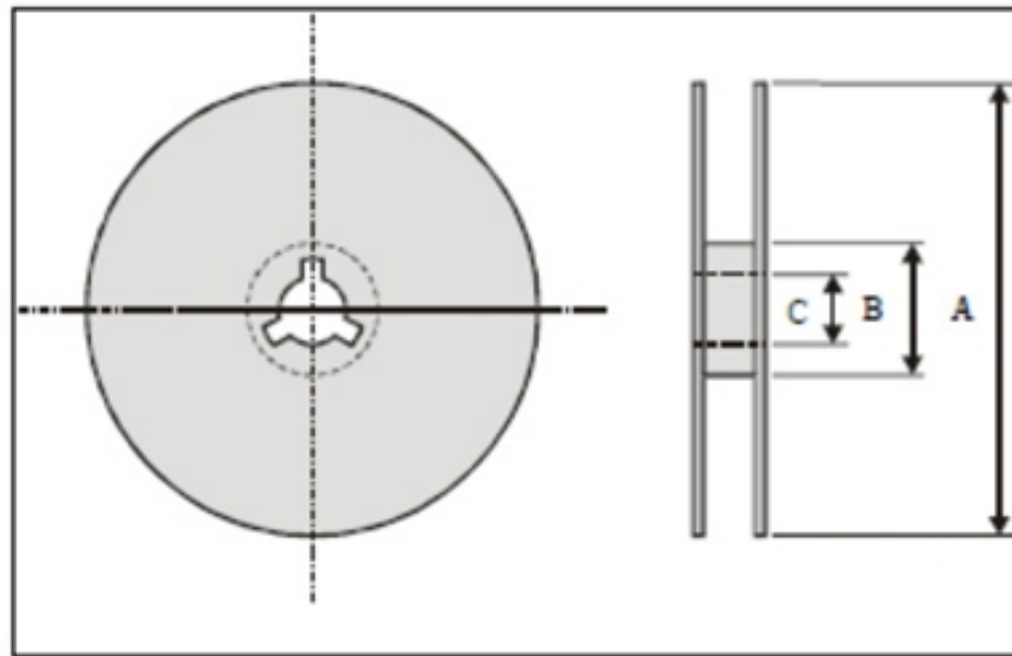
DIMENSIONS

Figure	Symbol	Dimension (mm)
Top view 	L	0.65 ± 0.10
	W	0.50 ± 0.10
	T	0.40 max.
Side view 	A	0.225±0.10
	B	0.20 ± 0.05
Bottom view 	C	0.10 ± 0.05
	D	0.25 ± 0.05
	E	0.025±0.025

F. PACKING:

1. REEL DIMENSION (4000 PCS)

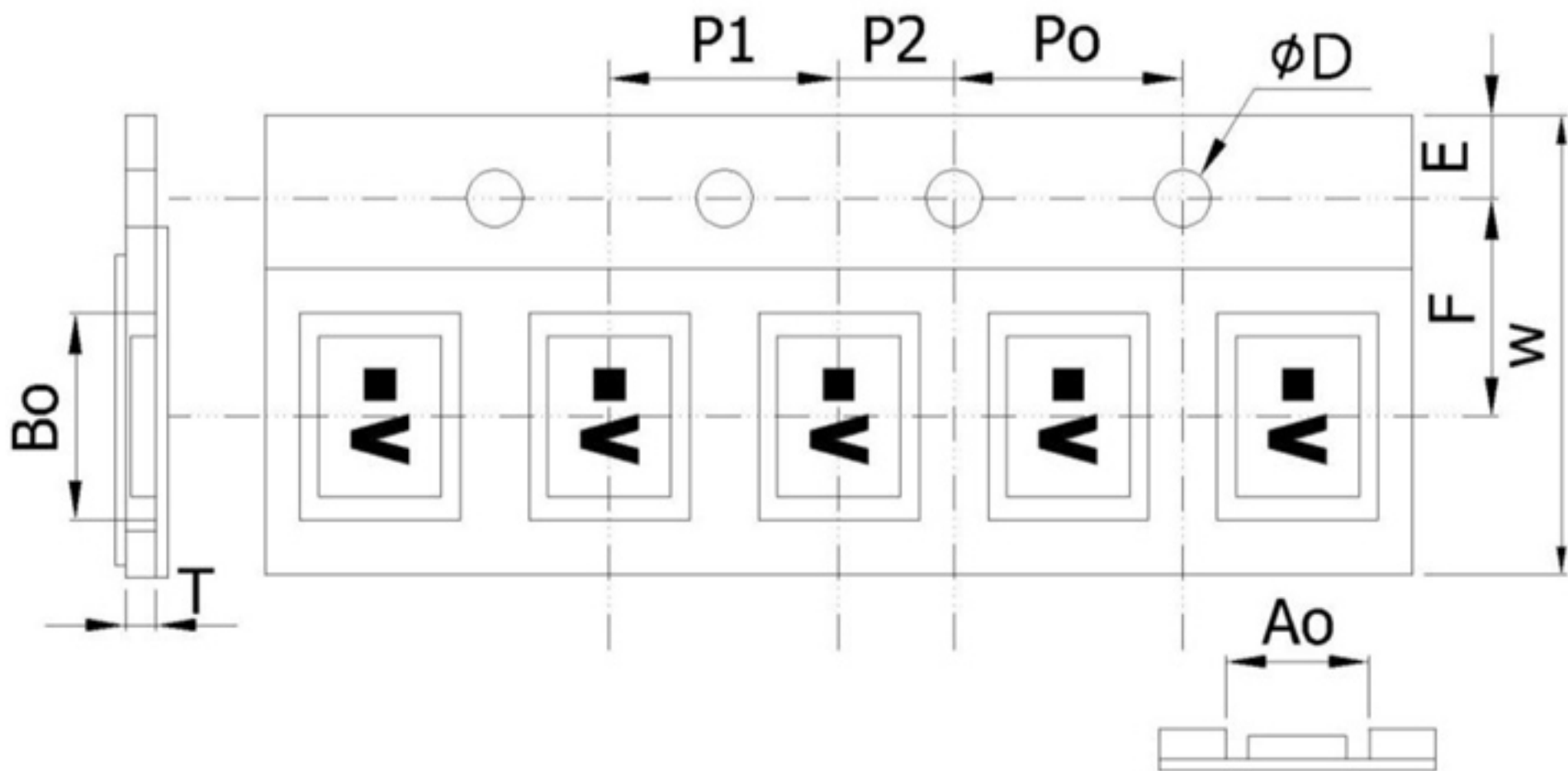
(Please refer to FR-75D10 for packing quantity)



Index	A	B	C
Dimension (mm)	Φ178.0	Φ60.0	Φ13.0

2. TAPE

DIMENSION (unit :mm)



Paper Tape specifications (unit :mm)

Index	Ao	Bo	φD	T	W
Dimension (mm)	0.62 ± 0.10	1.80 ± 0.10	1.50 ± 0.10	0.43 ± 0.10	8.0 ± 0.30
Index	E	F	Po	P1	P2
Dimension (mm)	1.75 ± 0.10	3.50 ± 0.20	4.00 ± 0.10	2.00 ± 0.10	2.00 ± 0.10

G. RECOMMENDED REFLOW PROFILE:

1. Preheating shall be fixed at $150\sim 180^{\circ}\text{C}$ for 60~90 seconds.
2. Ascending time to preheating temperature 150°C shall be 30 seconds min.
3. Heating shall be fixed at 220°C for 50~80 seconds and at $245\sim 260^{\circ}\text{C}$ peak (min. 10sec).
4. Time : 2 times.

