

Band Stop Filter 847/897 MHz DVB-T/LTE Notch SMD 3.0×3.0mm

MODEL NO.: TE0132A

Rev.:1.0

A. MAXIMUM RATING:

1. Input Power Level: 15 dB_m
2. DC voltage: 5 V
3. Operating Temperature: -40°C to +105°C
4. Storage Temperature: -40°C to +105°C
5. Moisture Sensitivity Level: Level 1 (MSL1)

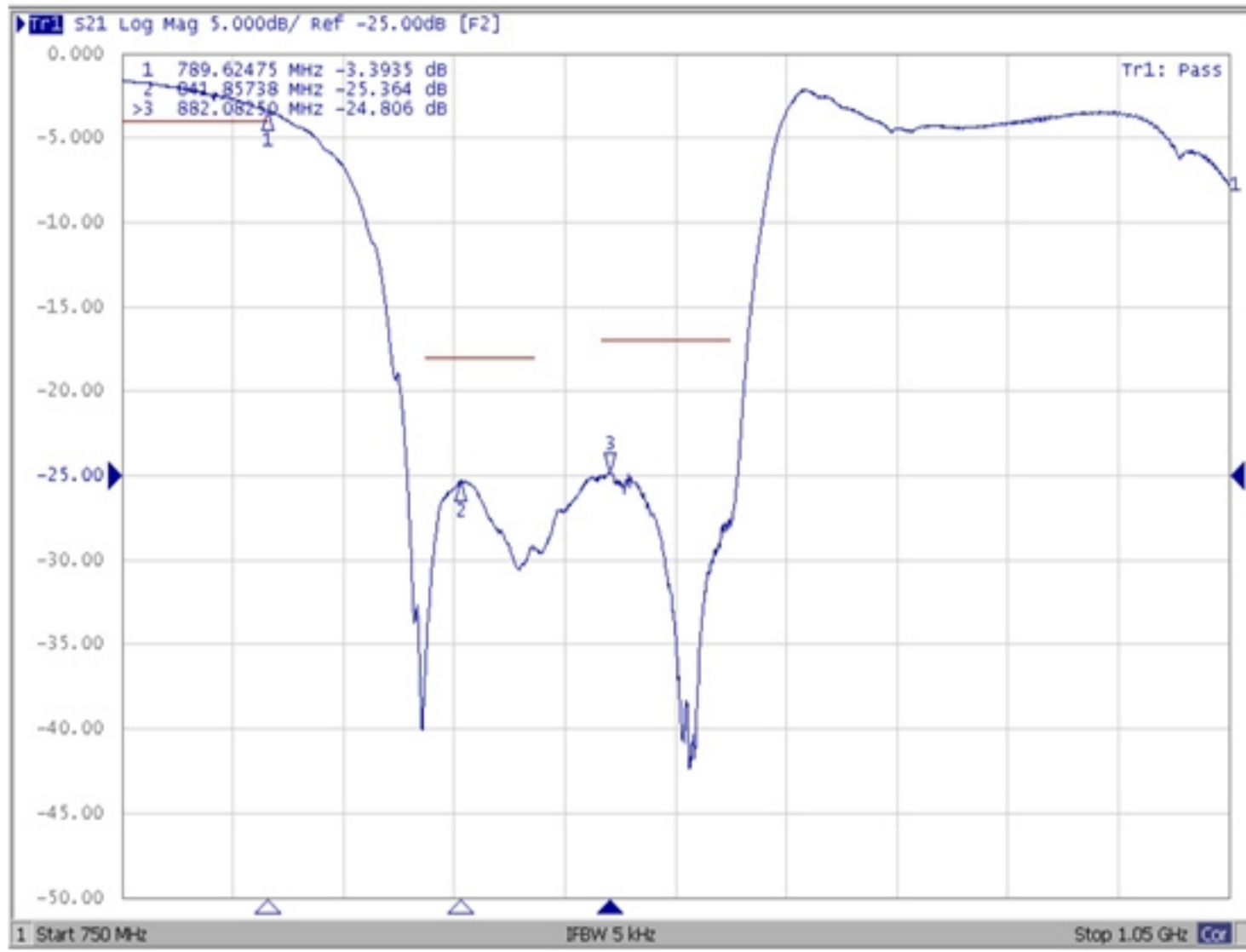
B. CHARACTERISTICS:

Item	Unit	Min.	Typ.	Max.	
Center frequency	MHz	-	847.0 897.5	-	
Minimum Insertion Loss (470 ~ 790 MHz)	dB	-	0.2	0.8	
Maximum Insertion Loss					
47.00 ~ 68.00 MHz	dB		0.2	1.0	
174.00 ~ 230.00 MHz	dB		0.4	1.0	
470.00 ~ 750.00 MHz	dB		1.5	2.0	
750.00 ~ 790.00 MHz	dB		3.2	4.0 ⁽¹⁾	
Attenuation (reference from 0dB)					
832.00 ~ 862.00 MHz	dB	18	26	-	
880.00 ~ 915.00 MHz	dB	20	25	-	
1452.00 ~ 1492.00 MHz	dB	20	26	-	
1710.00 ~ 1990.00 MHz	dB	20	35	-	
Source impedance	Z _S	Ω	-	50	-
Load impedance	Z _L	Ω	-	50	-

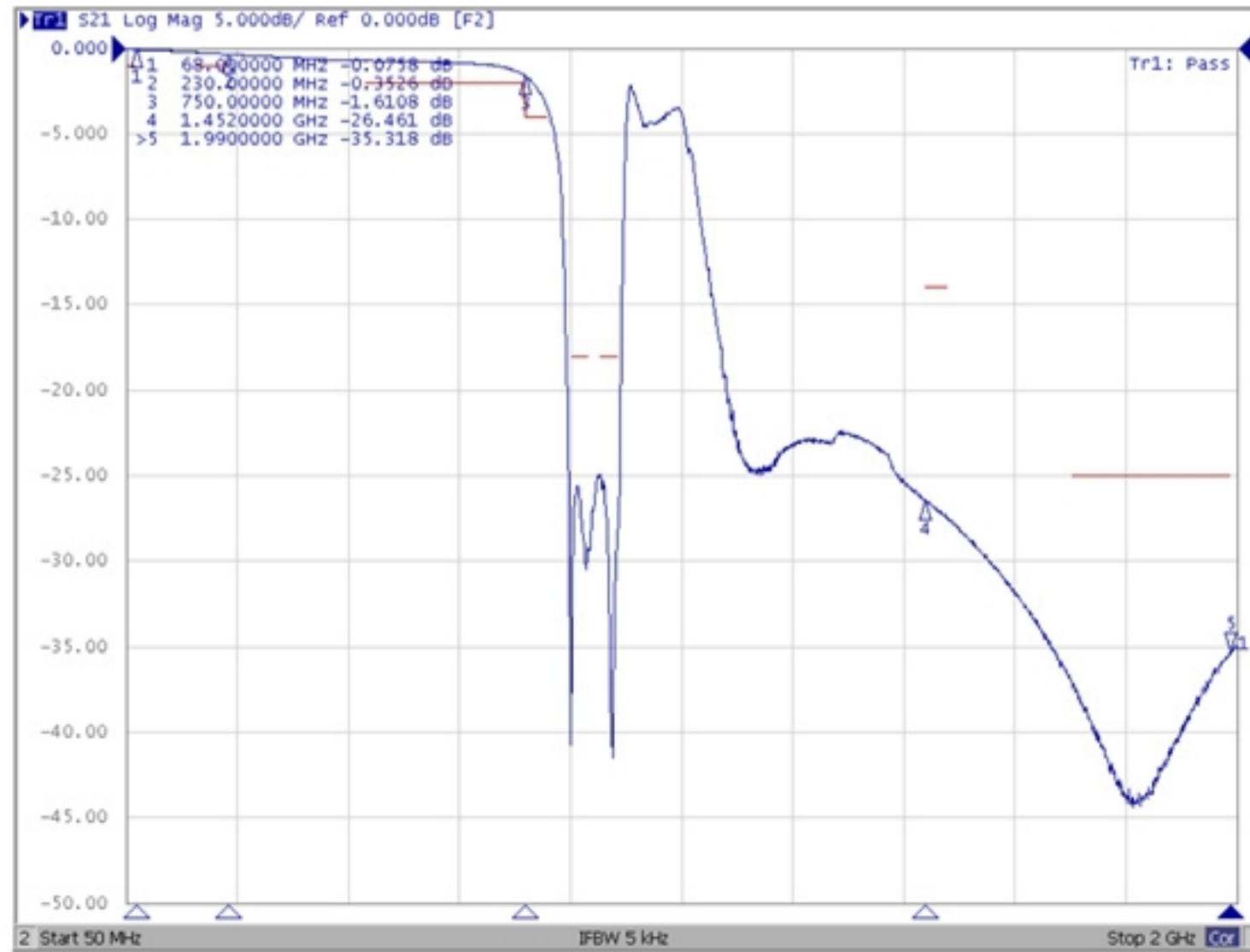
Note1. Specification for ILmax is 3.5dB for -10°C to +60°C.

C. Transfer Function :

Stop Band



Width Band



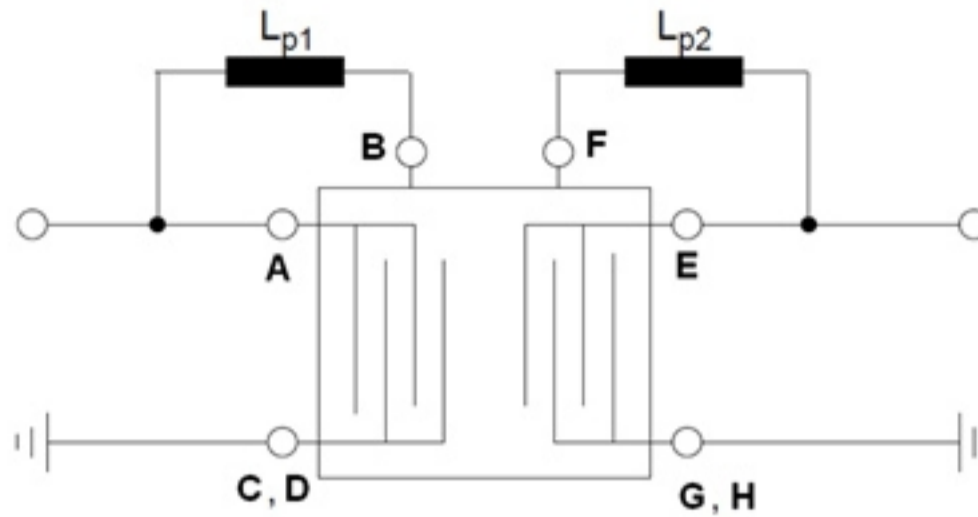
D. MEASUREMENT CIRCUIT:

ZS = 50 Ohm

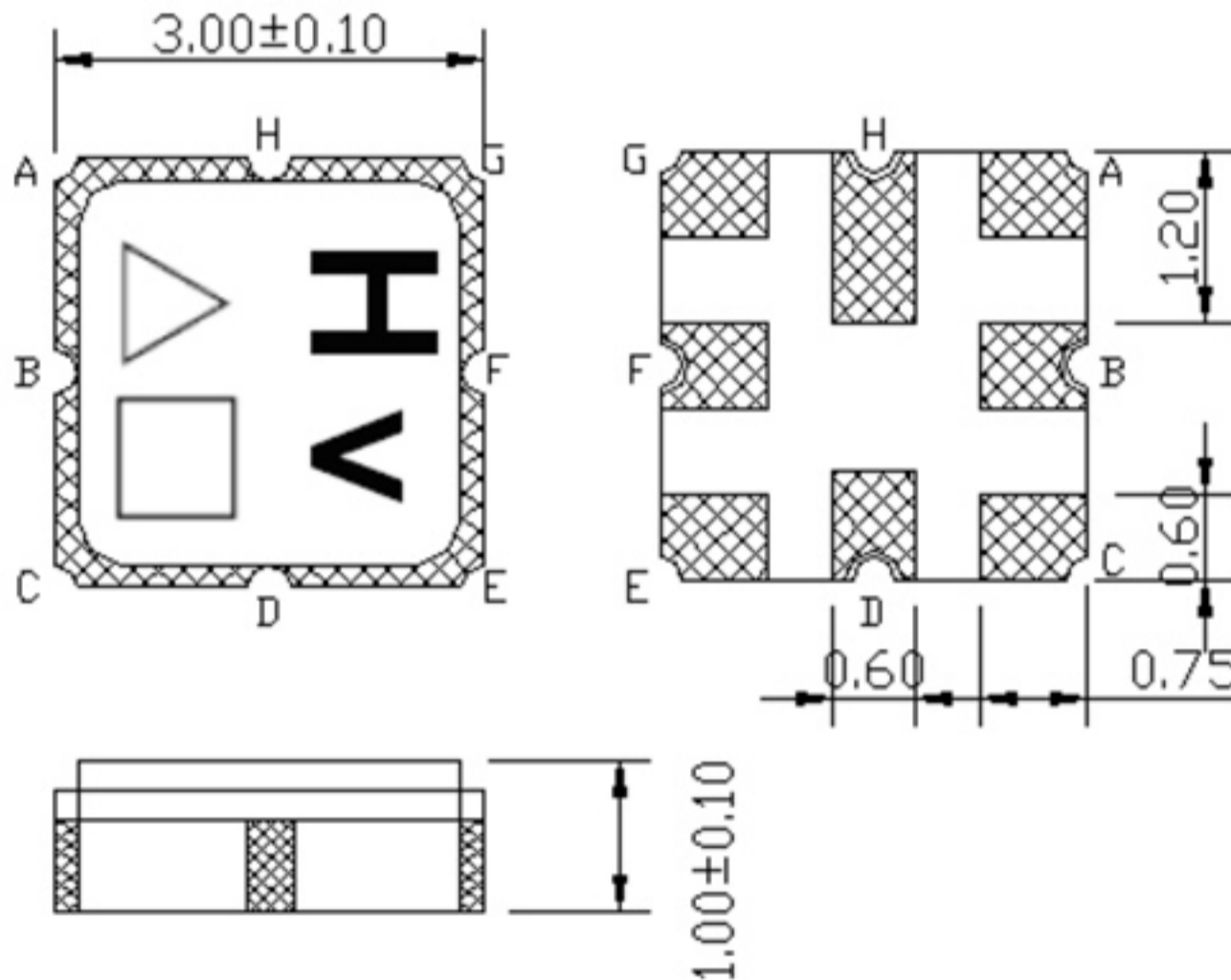
ZL = 50 Ohm

Lp1 = 4.7 nH

Lp2 = 11.0 nH



E. OUTLINE DRAWING:

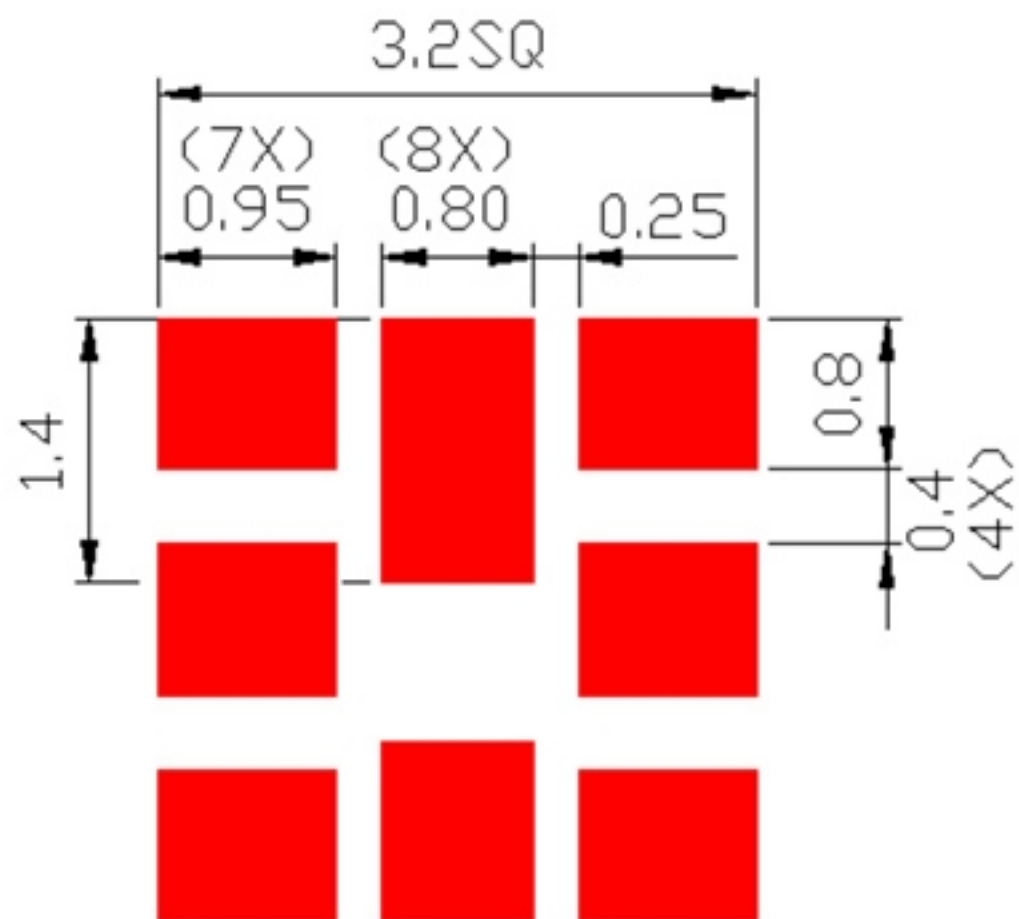


△ : Year Code (2009->9, 2010->0, ..., 2018->8)

□ : Date Code (Follow the table from planner each year)

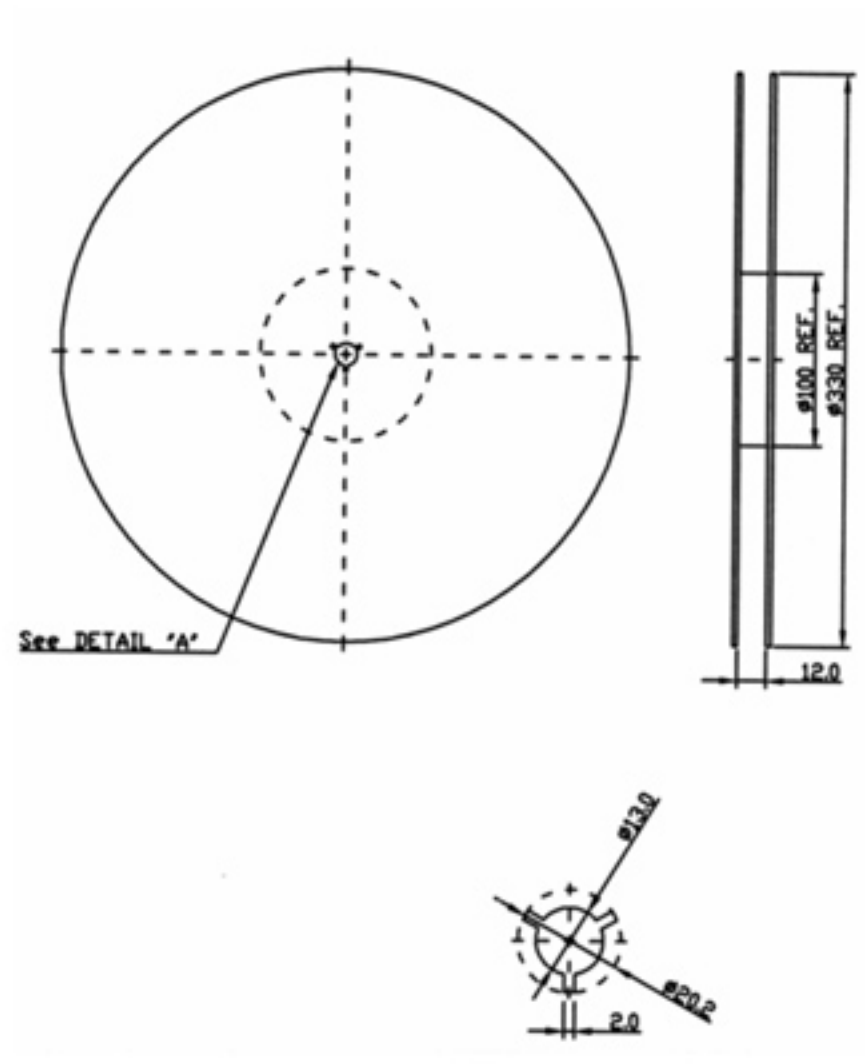
WK01	WK02	WK03	WK04	WK05	WK06	WK07	WK08	WK09	WK10	WK11	WK12	WK13
A	B	C	D	E	F	G	H	I	J	K	L	M
WK14	WK15	WK16	WK17	WK18	WK19	WK20	WK21	WK22	WK23	WK24	WK25	WK26
N	O	P	Q	R	S	T	U	V	W	X	Y	Z
WK27	WK28	WK29	WK30	WK31	WK32	WK33	WK34	WK35	WK36	WK37	WK38	WK39
a	b	c	d	e	f	g	h	i	j	k	l	m
WK40	WK41	WK42	WK43	WK44	WK45	WK46	WK47	WK48	WK49	WK50	WK51	WK52
n	o	p	q	r	s	t	u	v	w	x	y	z

F. PCB FOOTPRINT:

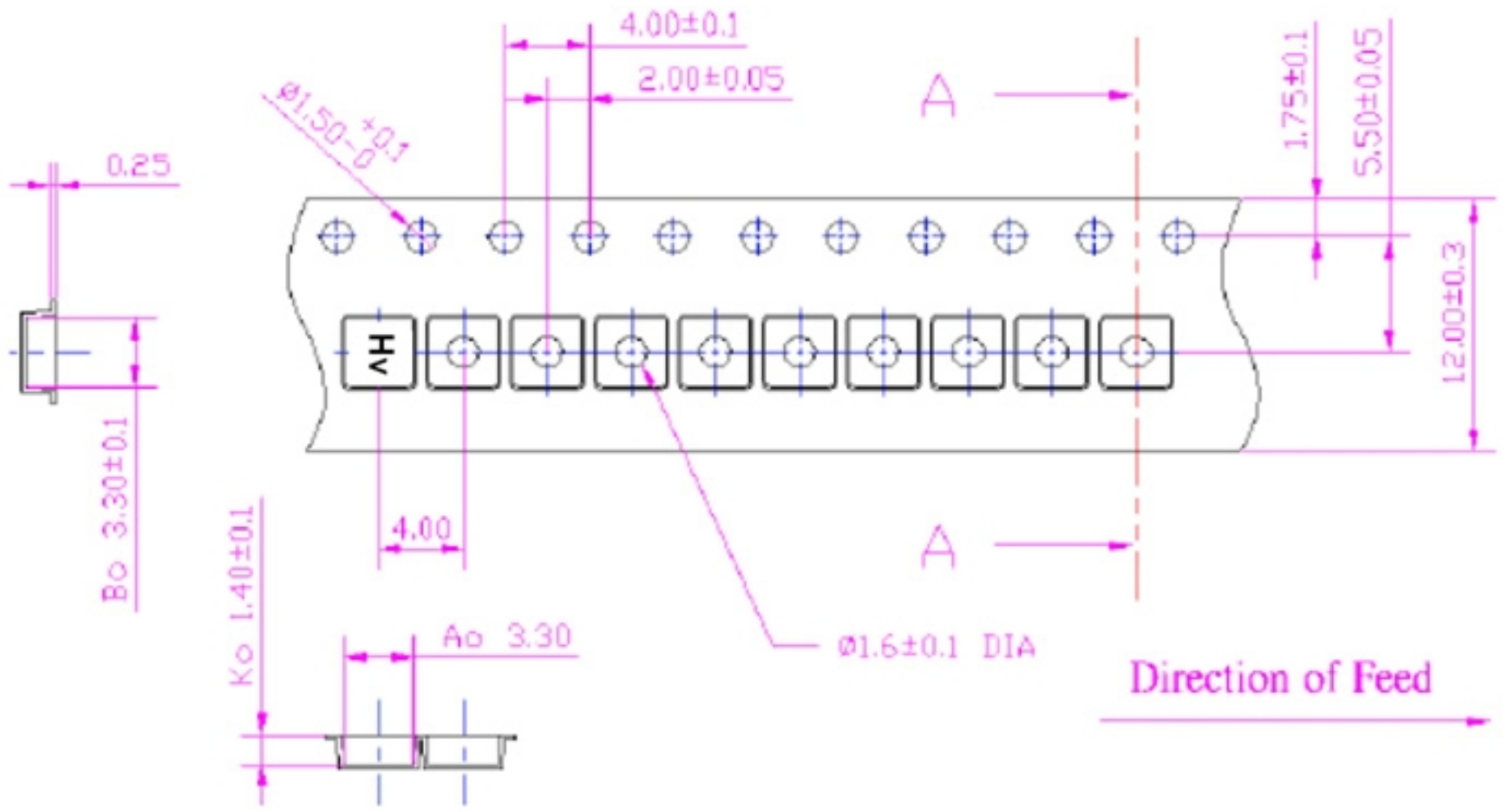


G. PACKING:

1. REEL DIMENSION



2. TAPE DIMENSION



H. RECOMMENDED REFLOW PROFILE :

1. Preheating shall be fixed at 150~180°C for 60~90 seconds.
2. Ascending time to preheating temperature 150°C shall be 30 seconds min.
3. Heating shall be fixed at 220°C for 50~80 seconds and at 260°C +0/-5°C peak (20~40sec).
4. Time: 2 times.

