

SAW Filter 875 MHz

MODEL NO.: TA2554A

REV. NO.:1

A. MAXIMUM RATING:

1. Input Power Level: 10 dB_m
2. DC voltage: 3 V
3. Operating Temperature: -40°C to +85°C
4. Storage Temperature: -40°C to +85°C
5. Moisture Sensitivity Level: Level 1(**MSL1**)

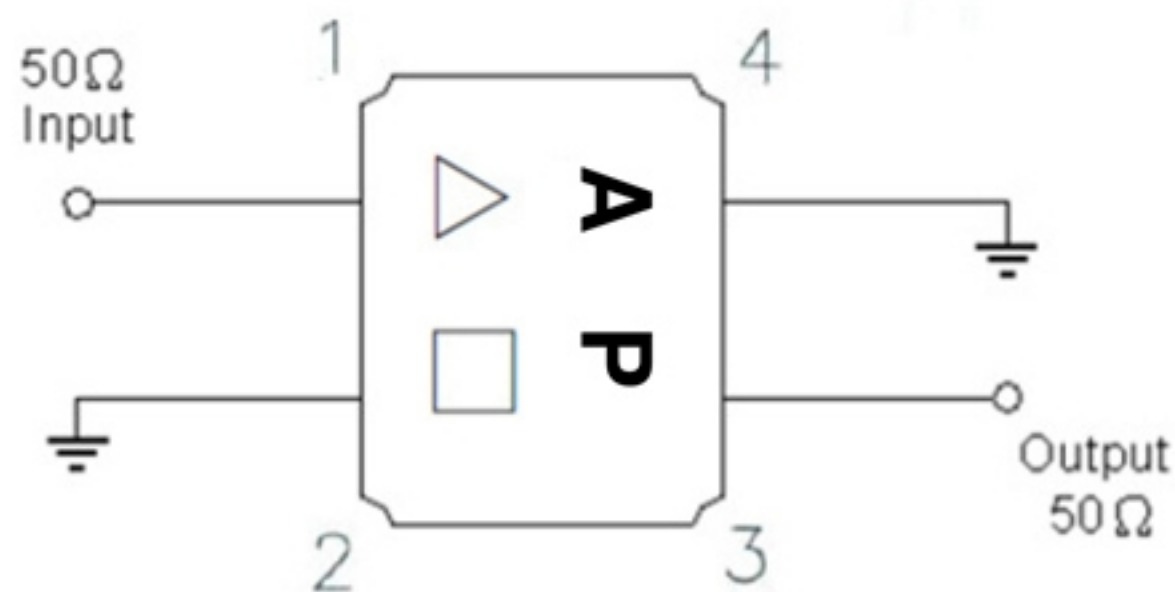
RoHS Compliant
Lead free
Lead-free soldering

Electrostatic Sensitive Device (**ESD**)

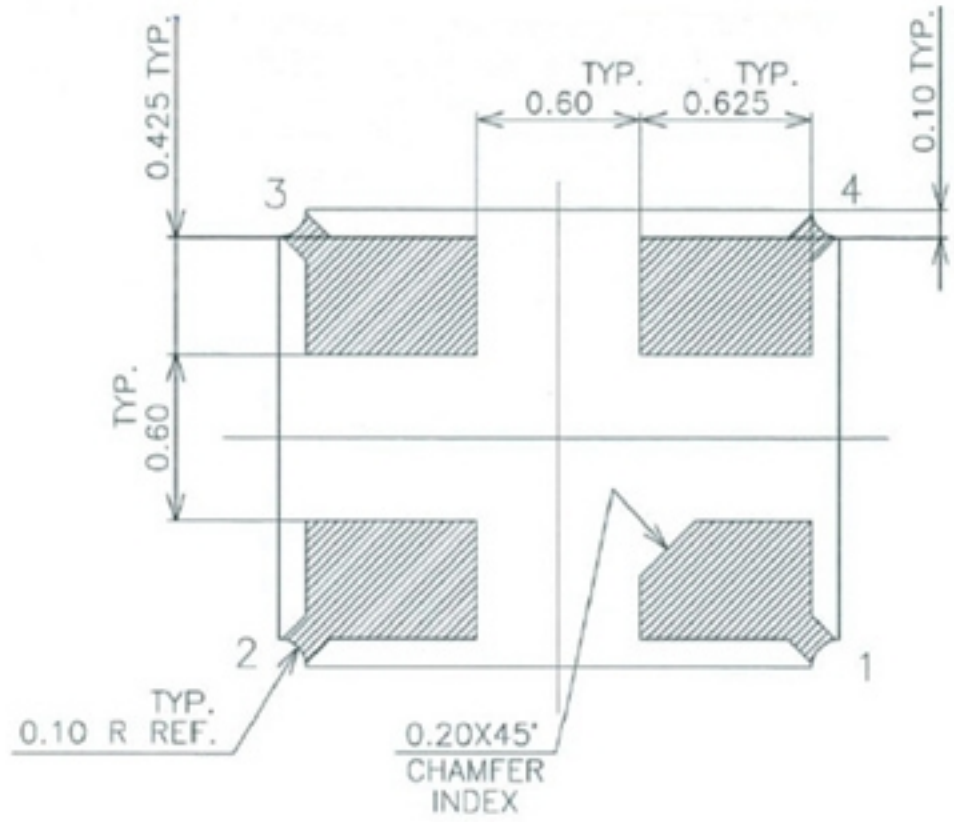
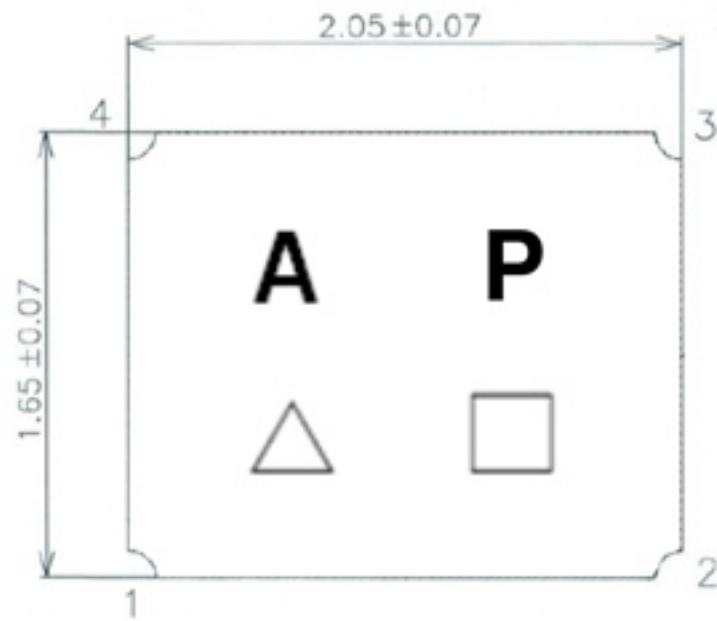
B. ELECTRICAL CHARACTERISTICS:

Item		Unit	Min.	Typ.	Max.
Center frequency	F_c	MHz	-	875	-
Insertion Loss (870~880 MHz)	IL	dB	-	2.5	3.0
Amplitude Variation (870~880 MHz)		dB _{P-P}	-	0.6	1.0
Return Loss (870~880 MHz)		dB	10	13	-
Group Delay Variation (870~880 MHz)		ns _{P-P}	-	15	50
Attenuation (Reference level from 0 dB)					
10 ~ 810	MHz	dB	40	49	-
810 ~ 848	MHz	dB	35	43	-
924 ~ 960	MHz	dB	35	42	-
960 ~ 1110	MHz	dB	40	57	-
1110 ~ 3000	MHz	dB	27	31	-
Temperature coefficient of frequency		ppm/k	-	-36	-

C. MEASUREMENT CIRCUIT:



D. OUTLINE DRAWING:



#1: Input
#3: Output
#2, 4: Ground
Unit: mm

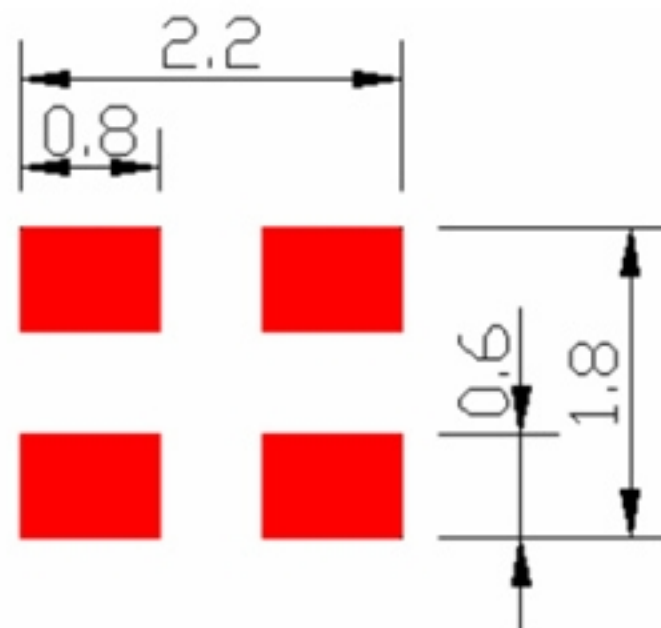
△: Year Code (2010->0, 2011->1, ..., 2019->9)

□: Date Code (Follow the table from planner each year)

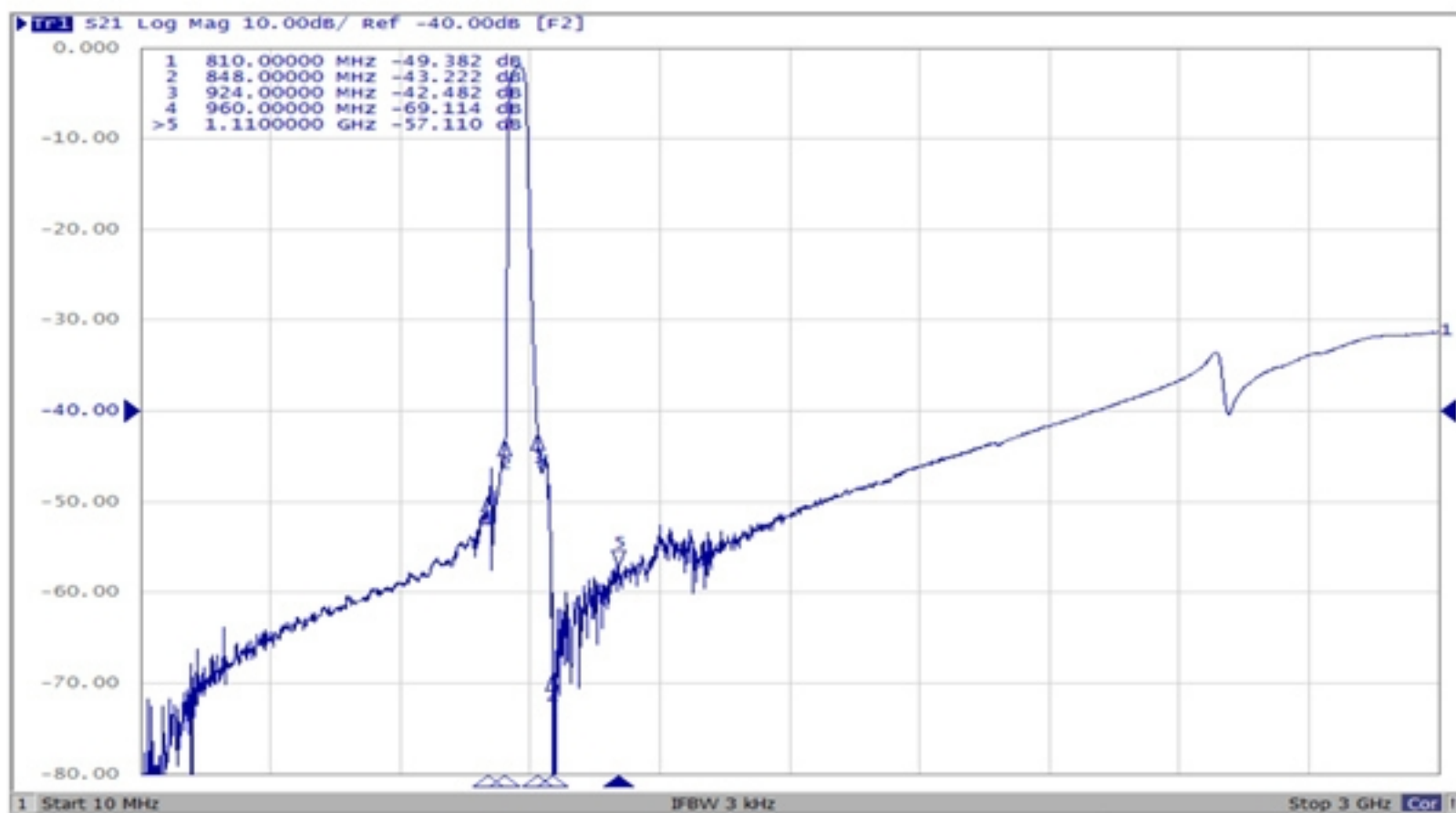
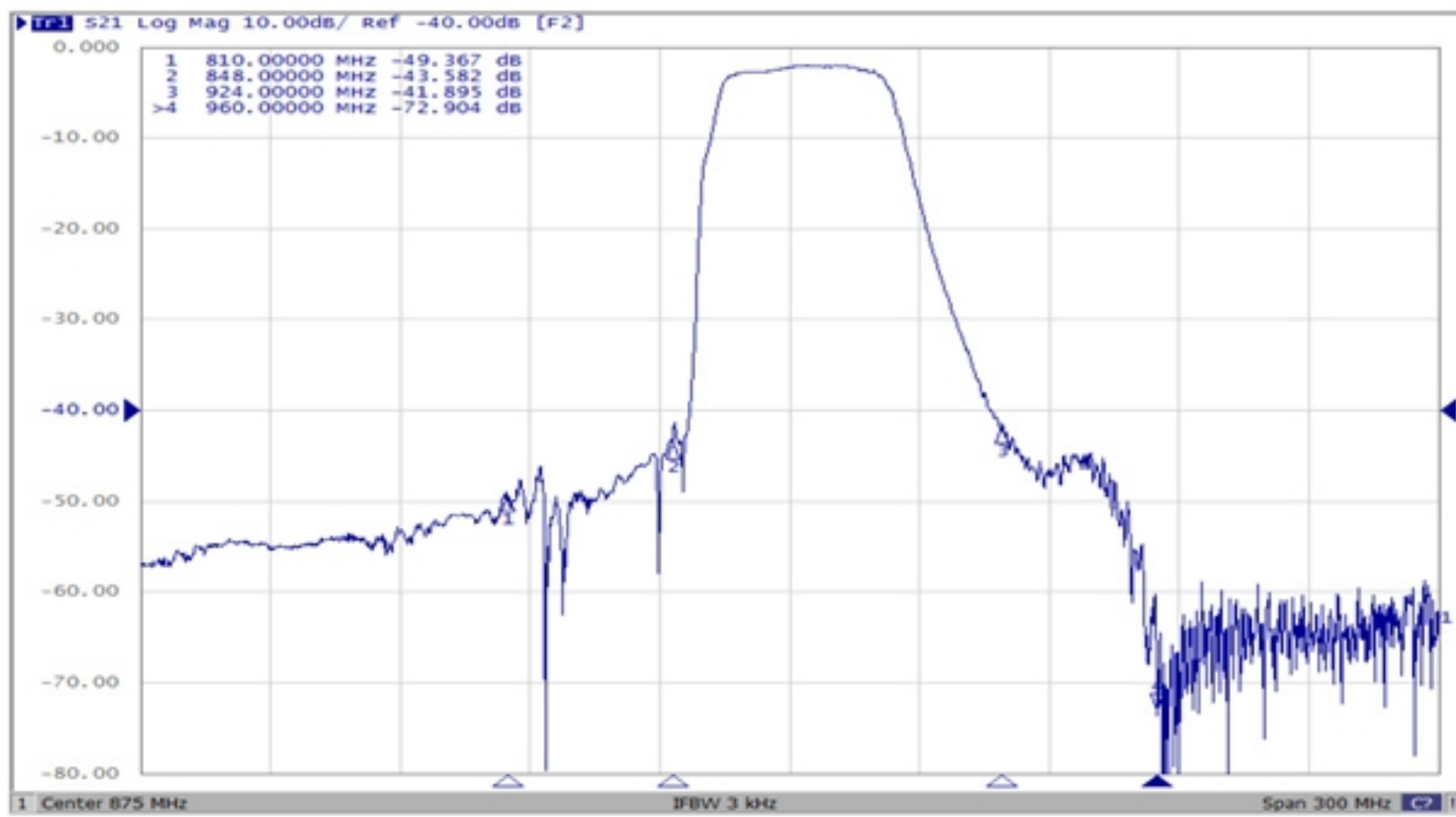
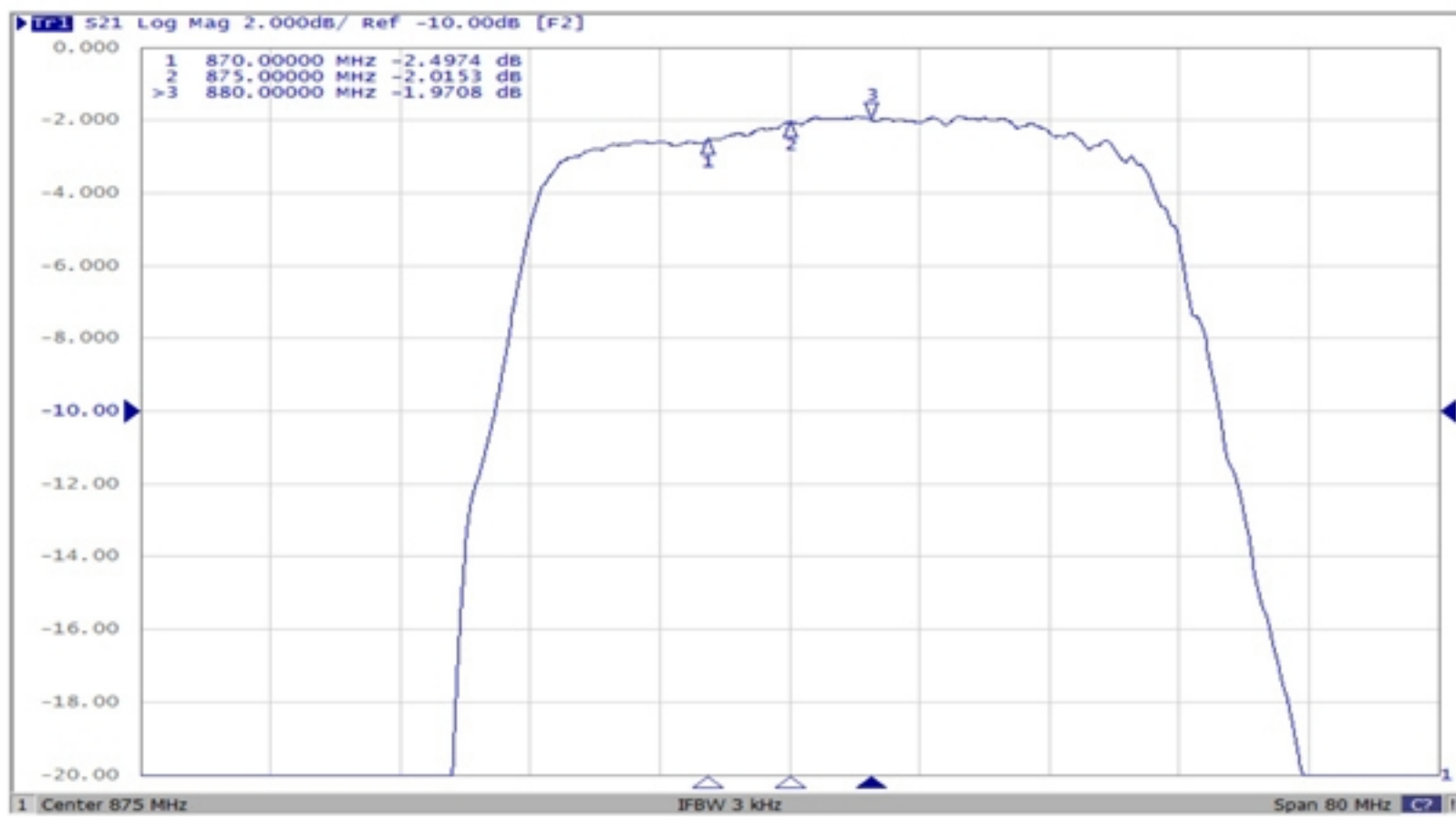
Date Code Table:

WK01	WK02	WK03	WK04	WK05	WK06	WK07	WK08	WK09	WK10	WK11	WK12	WK13
A	B	C	D	E	F	G	H	I	J	K	L	M
WK14	WK15	WK16	WK17	WK18	WK19	WK20	WK21	WK22	WK23	WK24	WK25	WK26
N	O	P	Q	R	S	T	U	V	W	X	Y	Z
WK27	WK28	WK29	WK30	WK31	WK32	WK33	WK34	WK35	WK36	WK37	WK38	WK39
a	b	c	d	e	f	g	h	i	j	k	l	m
WK40	WK41	WK42	WK43	WK44	WK45	WK46	WK47	WK48	WK49	WK50	WK51	WK52
n	o	p	q	r	s	t	u	v	w	x	y	z

E. PCB Footprint:

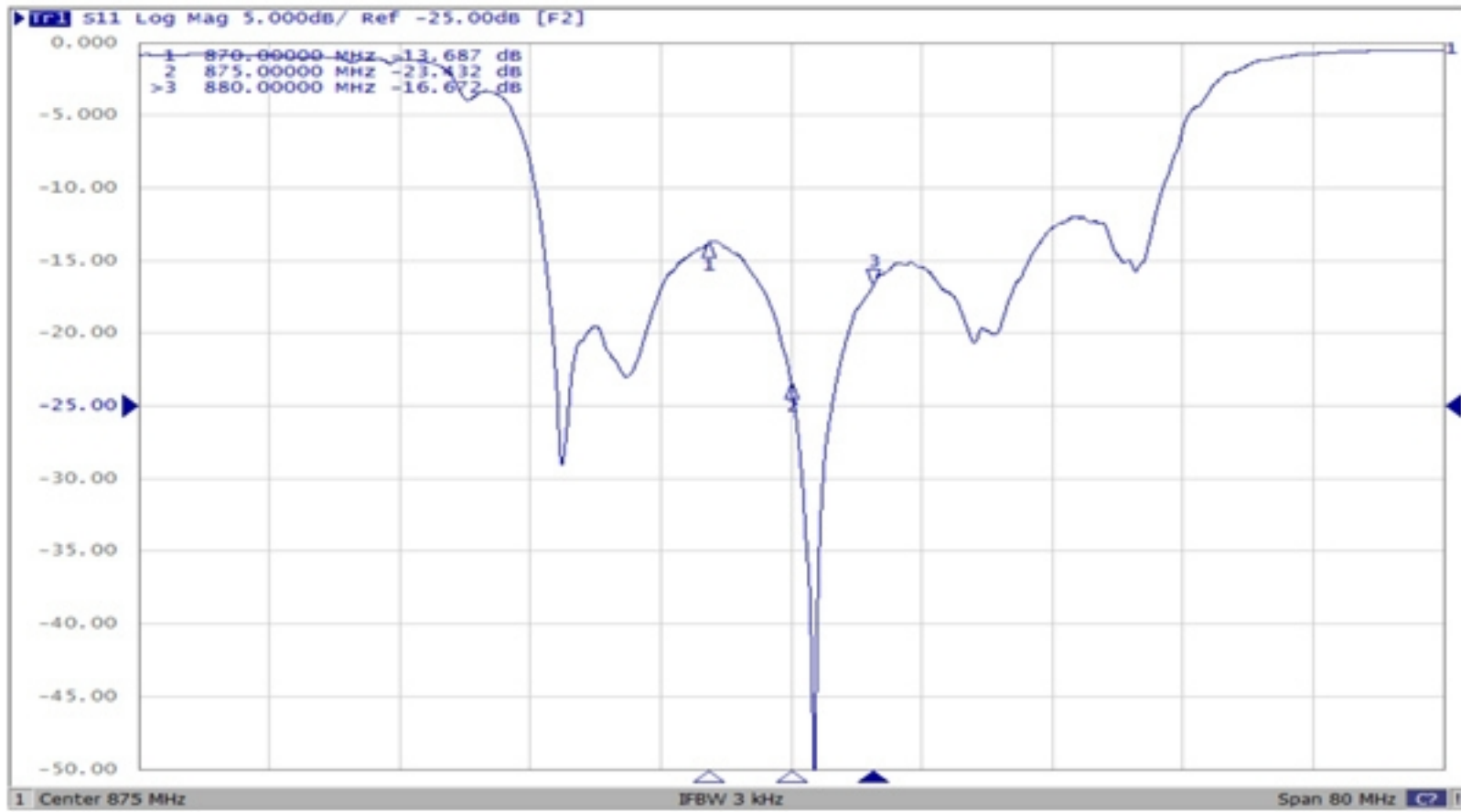


F. Frequency Characteristics:

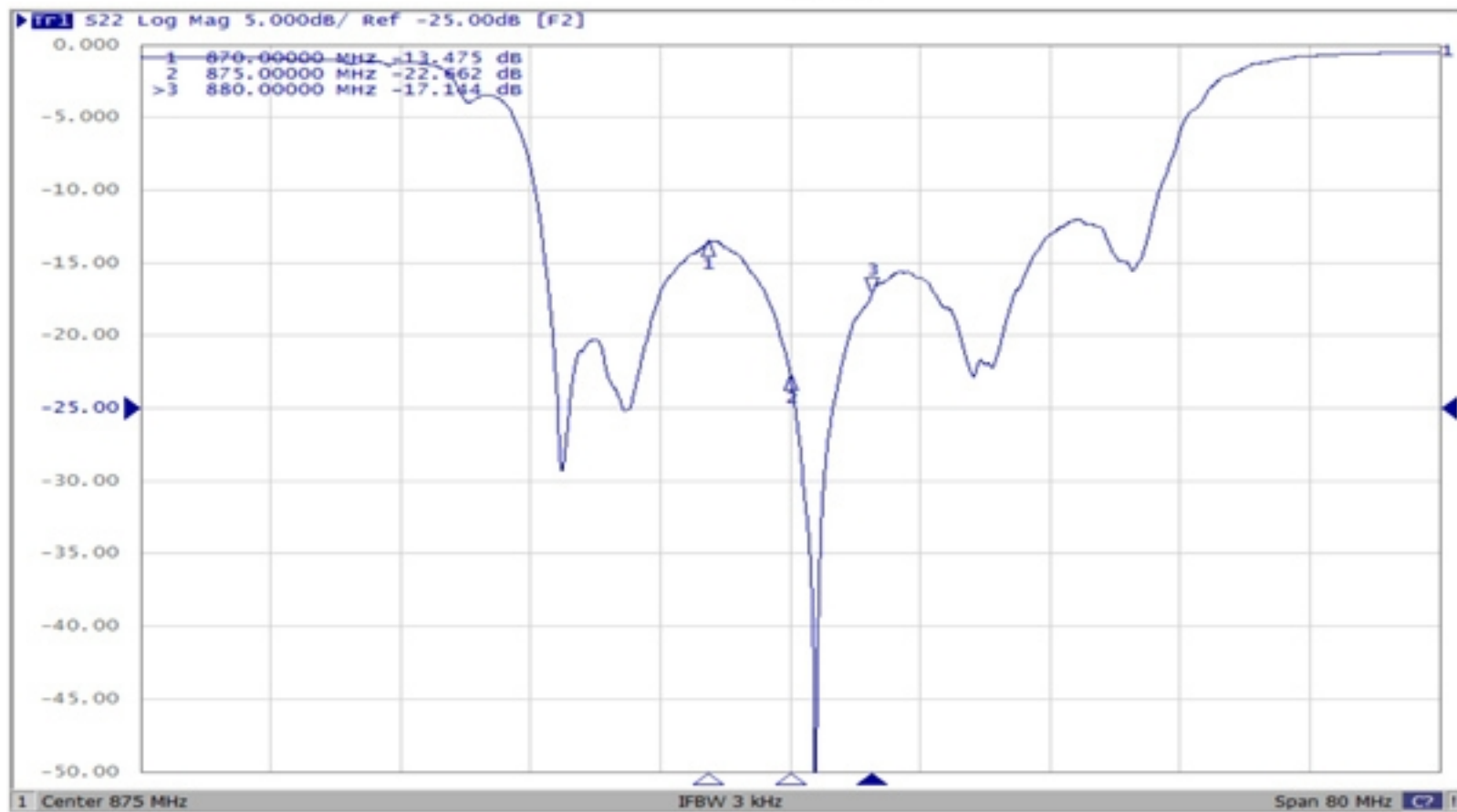


Reflection Functions:

S11



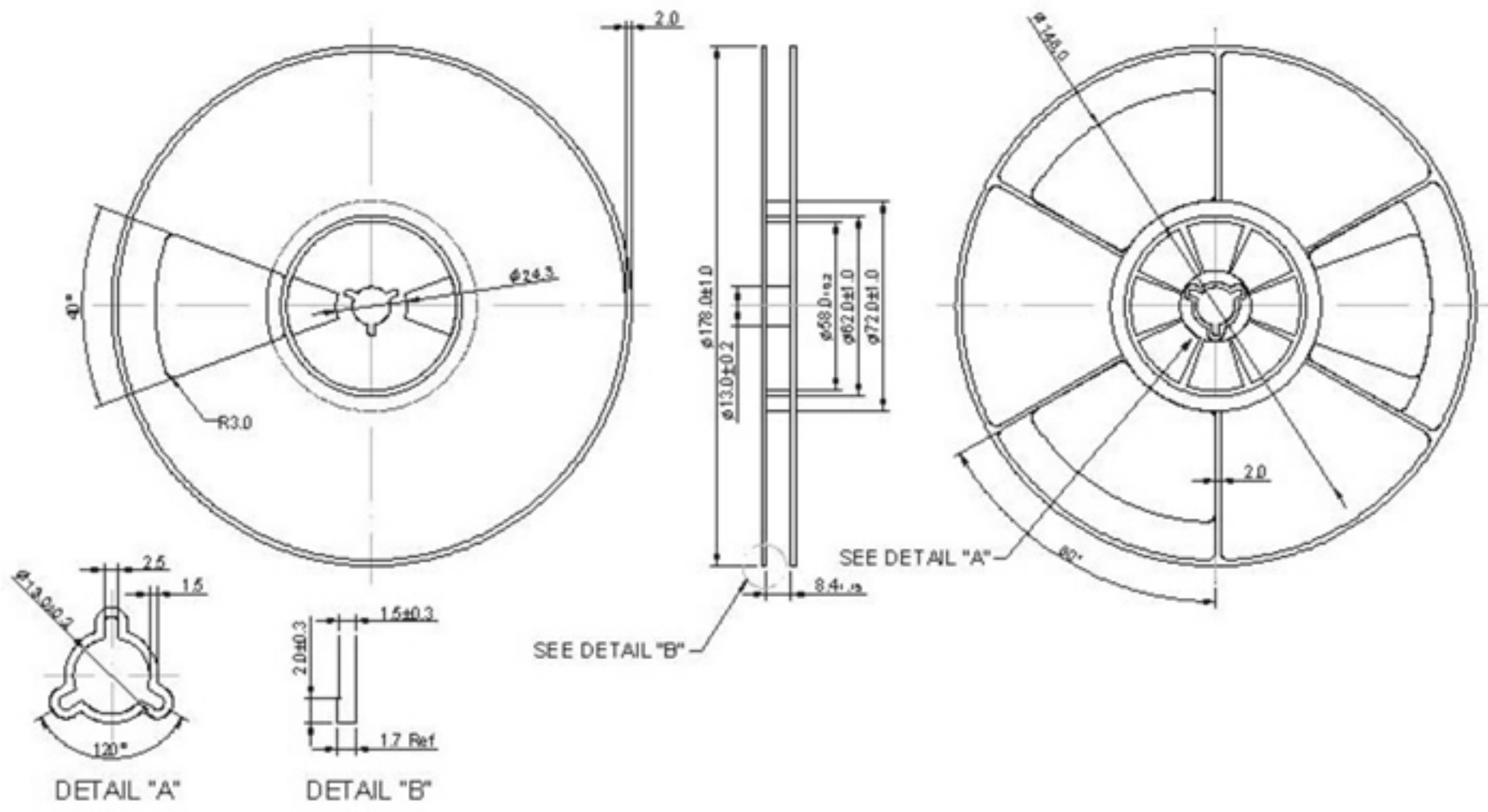
S22



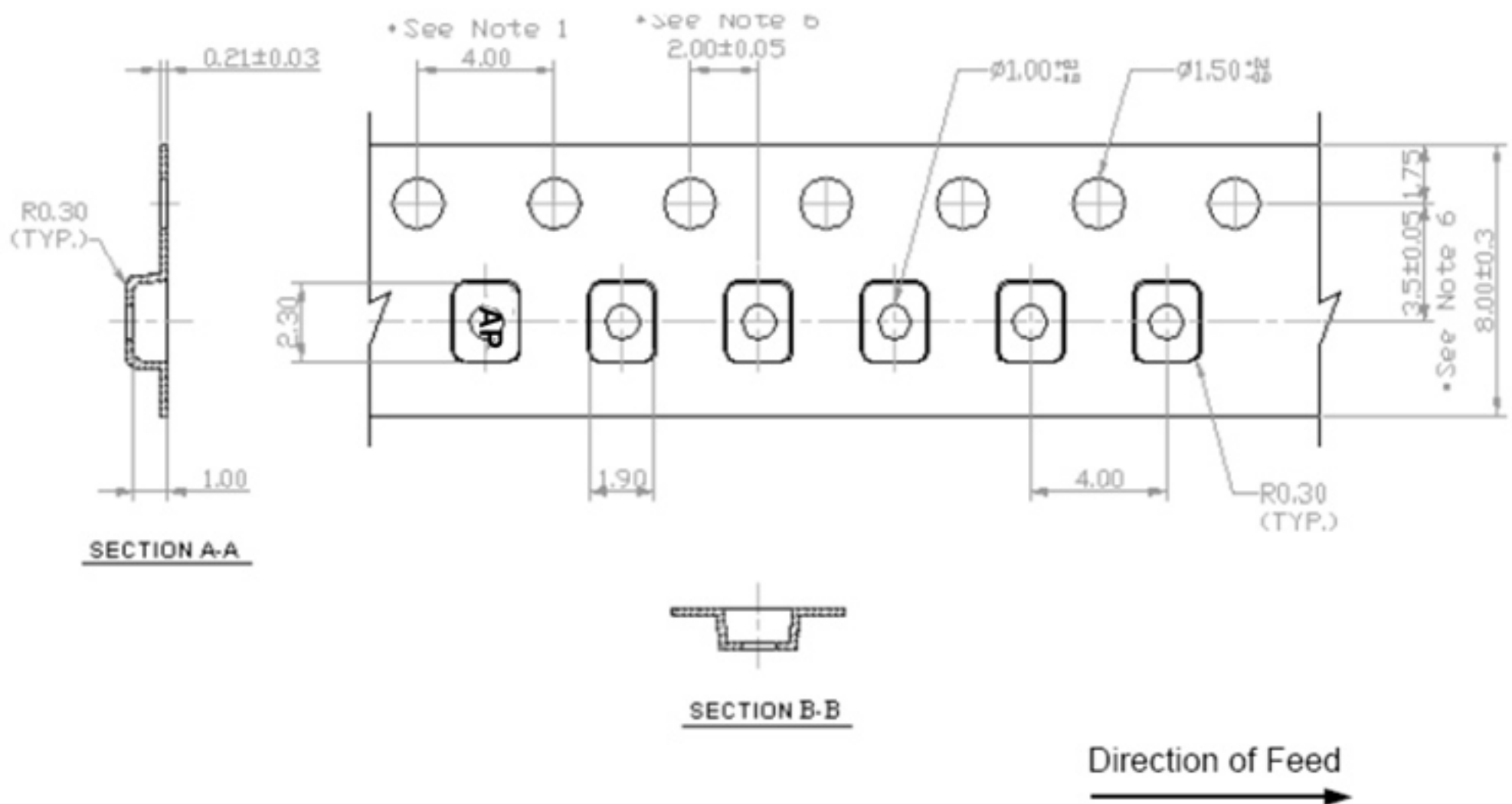
G. PACKING: (Ref. WI-75M03)

1. REEL DIMENSION

(Please refer to FR-75D10 for packing quantity)



2. TAPE DIMENSION



H. Recommended Reflow Profile:

1. Preheating shall be fixed at 150~180°C for 60~90 seconds.
2. Ascending time to preheating temperature 150°C shall be 30 seconds min.
3. Heating shall be fixed at 220°C for 50~80 seconds and at 260°C +0/-5°C peak (20~40sec).
4. Time: 2 times.

