

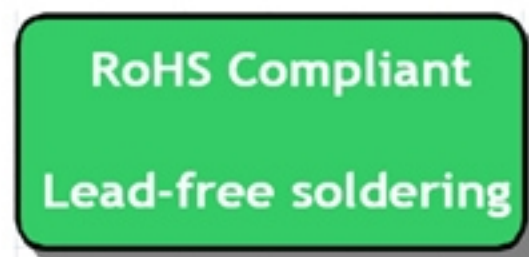
SAW Rx Filter 881.5MHz LTE Band 5 SMD 1411 (25MHz BW)

MODEL NO.:TA1816B

REV.4.0

A. MAXIMUM RATING:

1. Maximum Input Power: 17 dBm
2. DC voltage: 0 V
3. Operating Temperature: -40 °C to +85 °C
4. Storage Temperature: -40 °C to +85 °C
5. Moisture Sensitivity Level: Level 3
6. ESD 100V(MM) 200V(HBM)



Electrostatic Sensitive Device (ESD)

B. ELECTRICAL CHARACTERISTICS:

Terminating source impedance: $Z_s = 50 \Omega$ (Single)

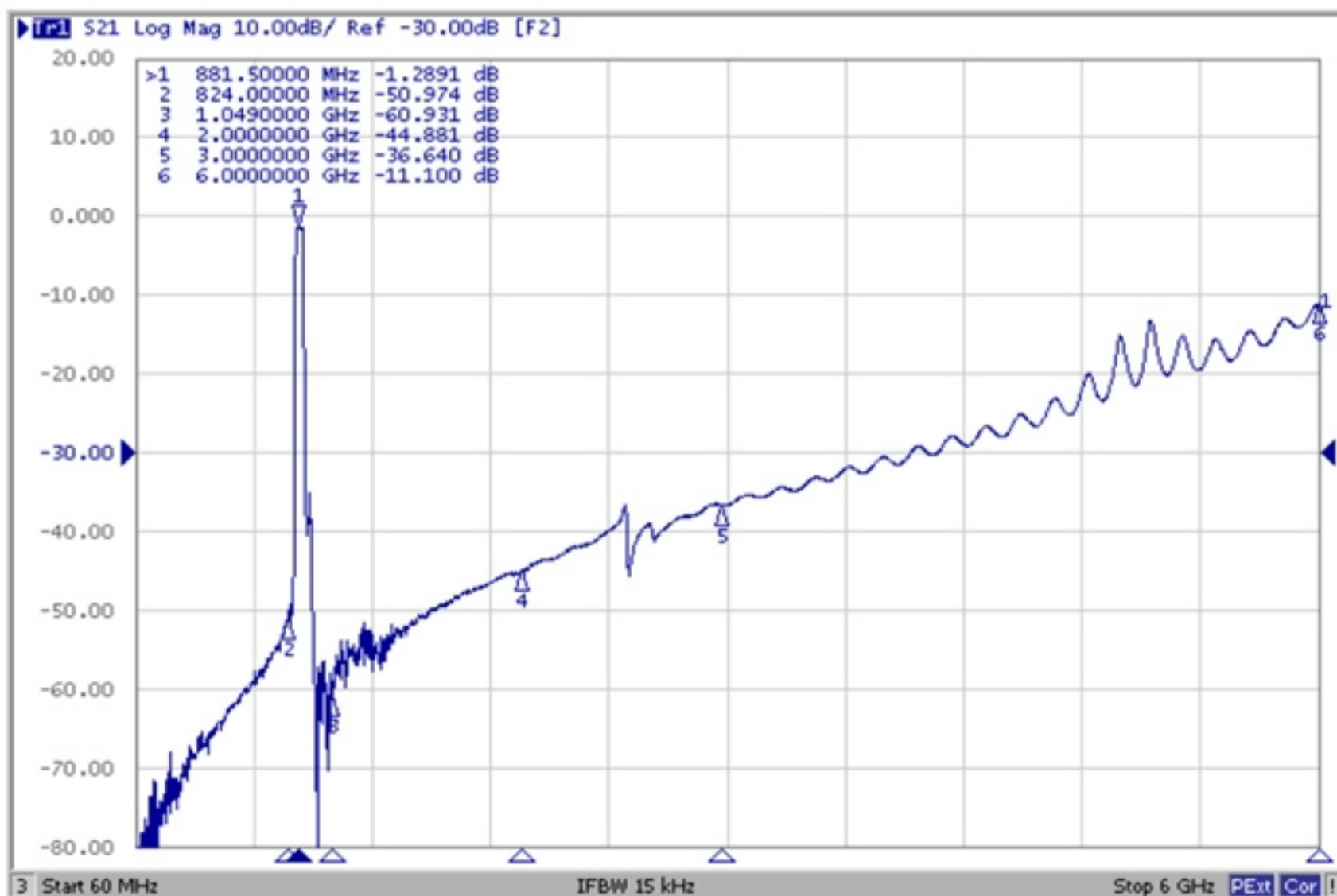
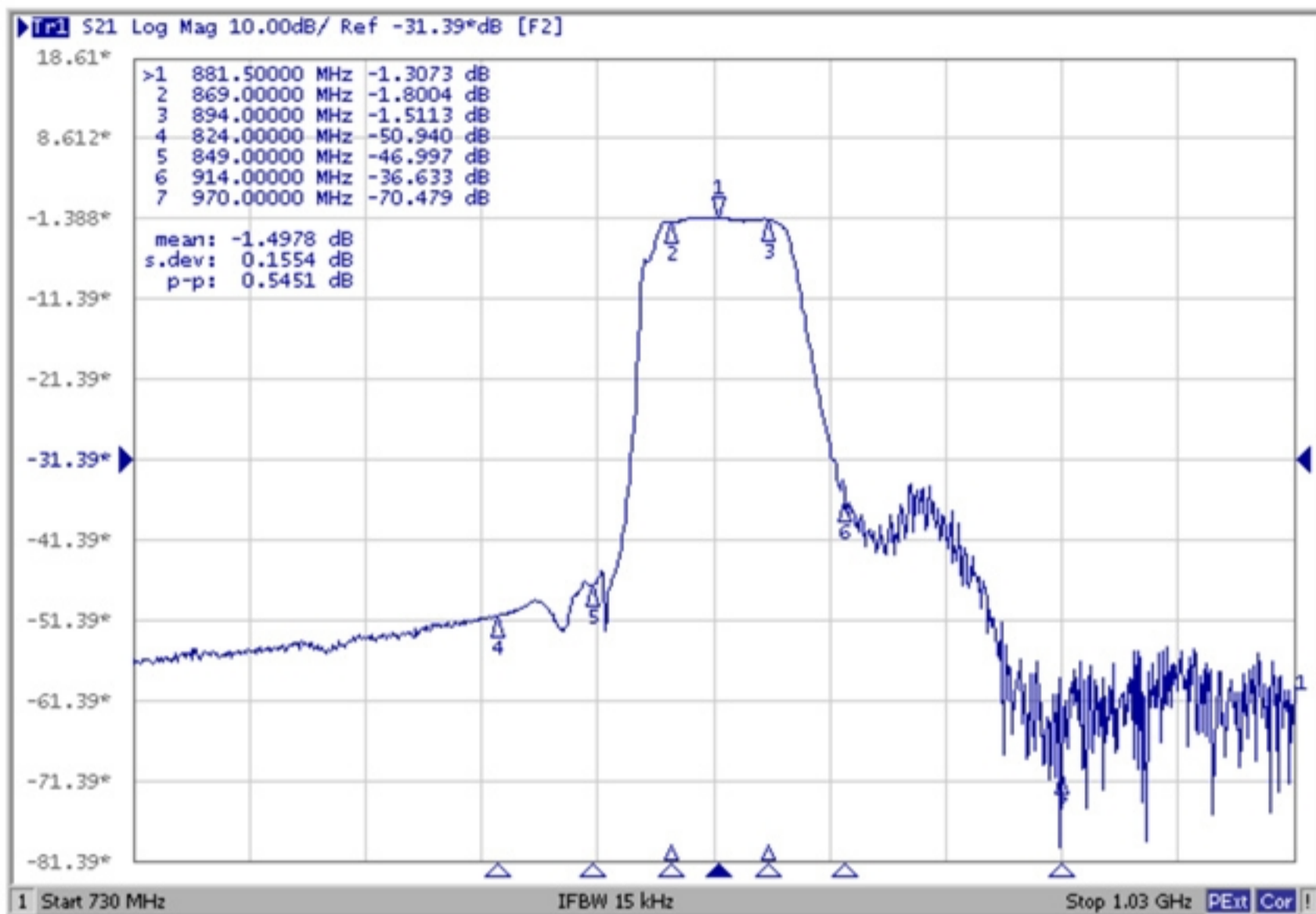
Terminating load impedance: $Z_L = 50 \Omega$ (Single)

Parameters Description		Unit	Minimum	Typical	Maximum
Center Frequency		MHz	-	881.5	-
Insertion Loss	869~894 MHz	dB	-	1.7	2.3
VSWR	869~894 MHz	-	-	1.7	2.1
Amplitude Ripple	869~894 MHz	dB _{p-p}	-	0.5	1.2
Attenuation:					
DC~824 MHz		dB	40	59	-
824~849 MHz		dB	40	56	-
914~970 MHz		dB	25	35	-
970~1049 MHz		dB	38	57	-
1049~2000 MHz		dB	40	57	-
2000~3000 MHz		dB	30	45	-
3000~6000 MHz		dB	10	18	-

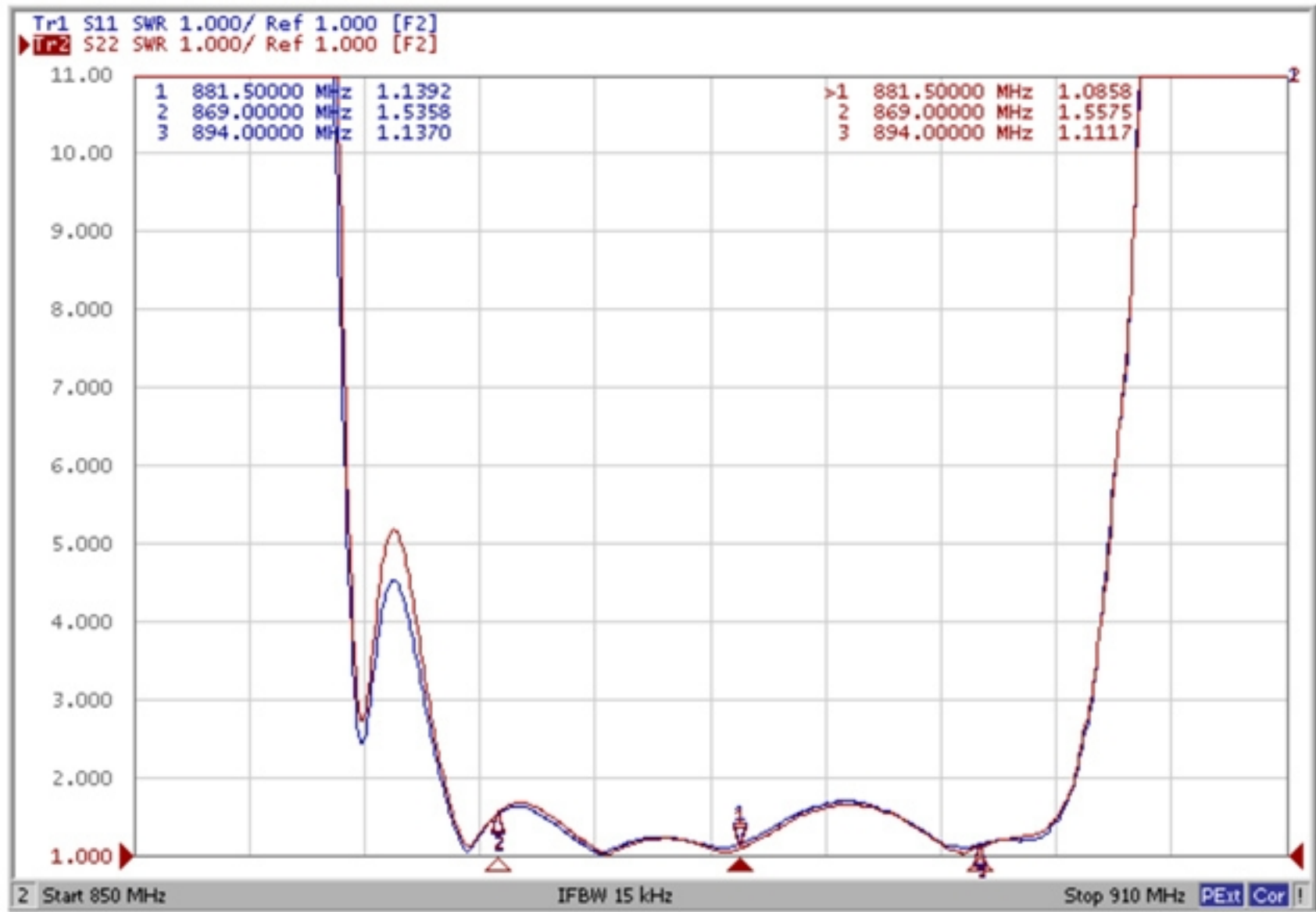
Notes: (1) No Matching Network.

C. Frequency Characteristics:

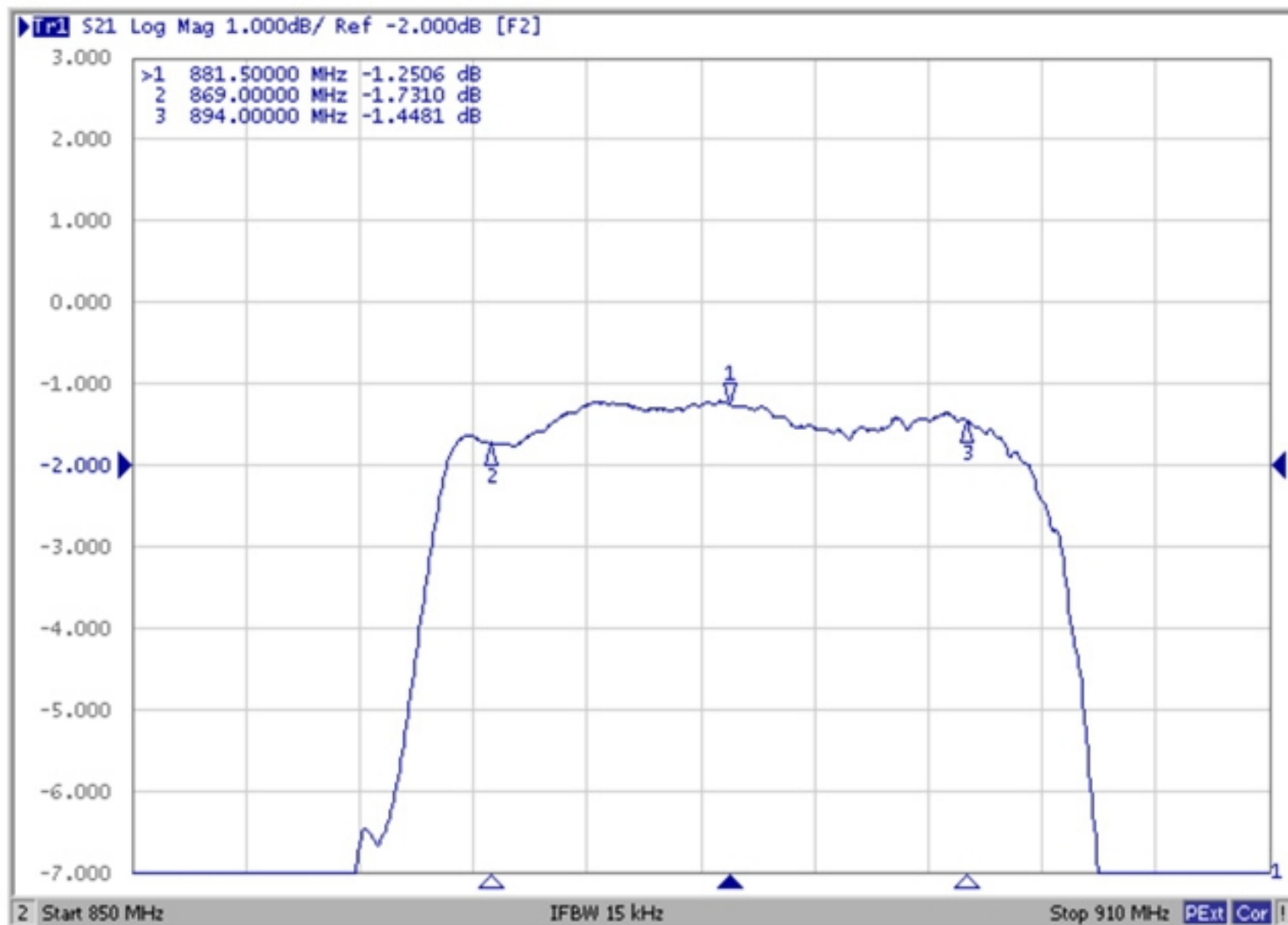
Frequency Response



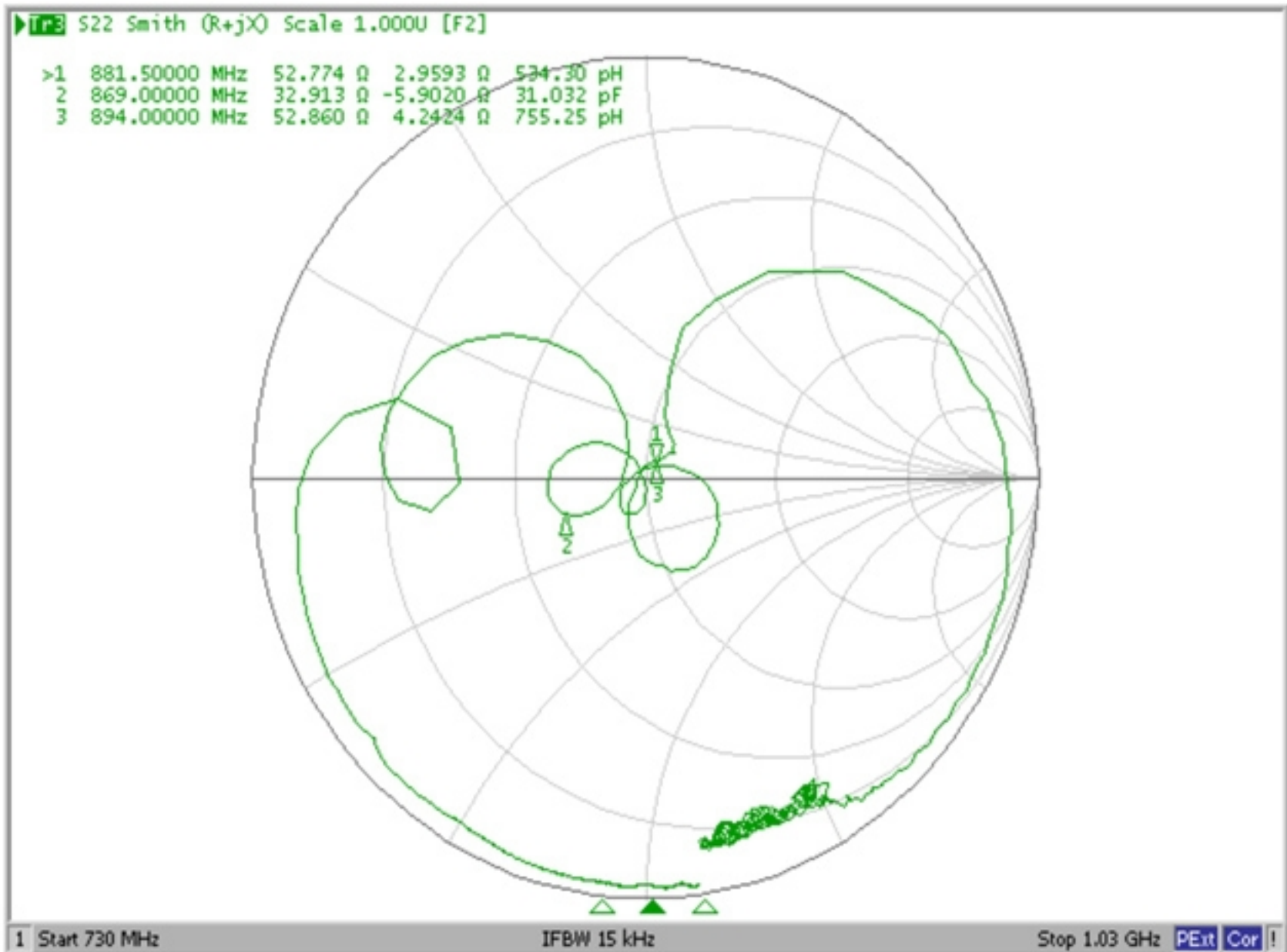
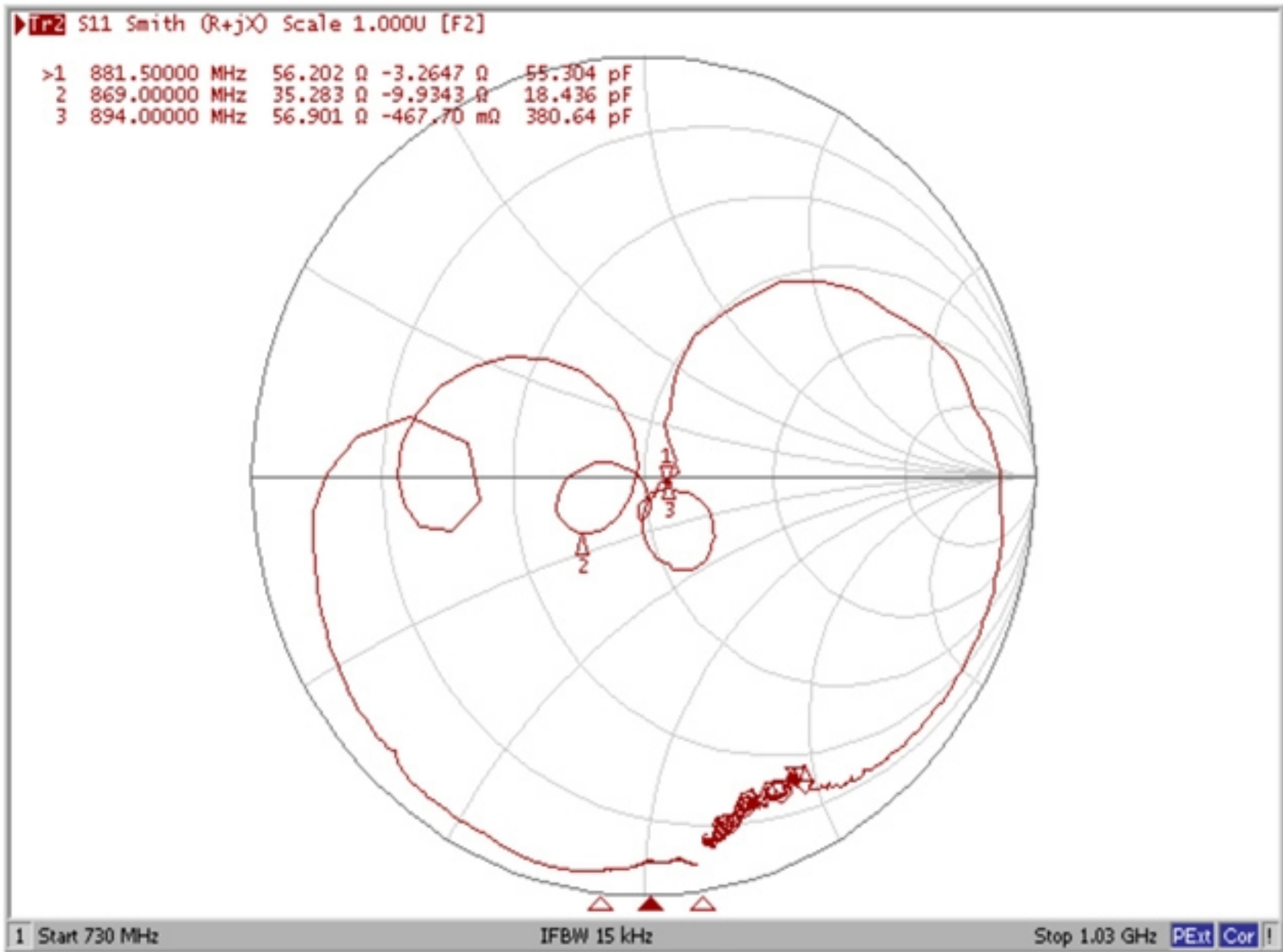
VSWR



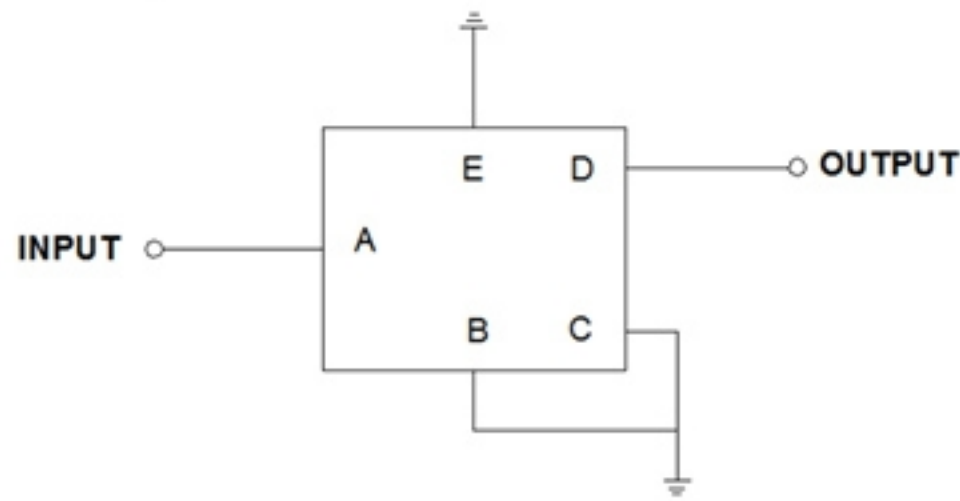
Ripple



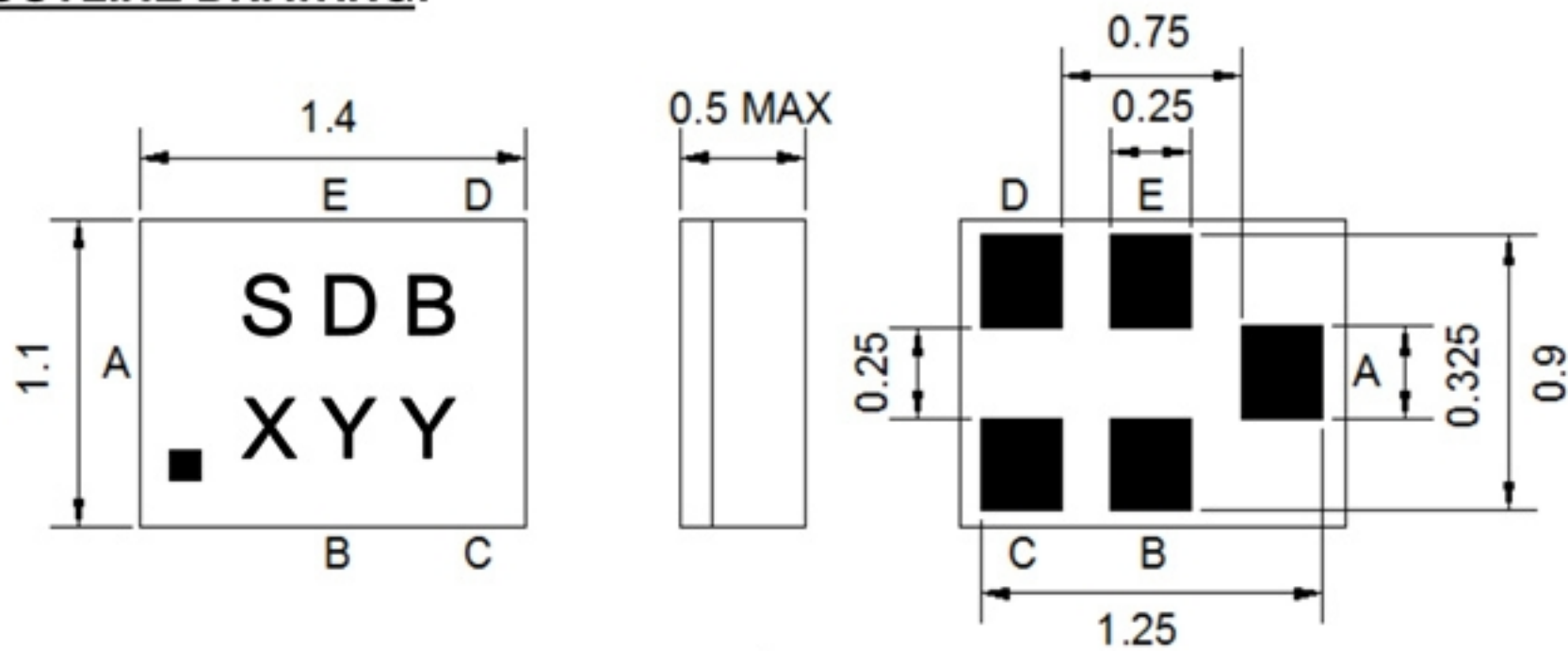
Smith Chart



D. MEASUREMENT CIRCUIT:



E. OUTLINE DRAWING:



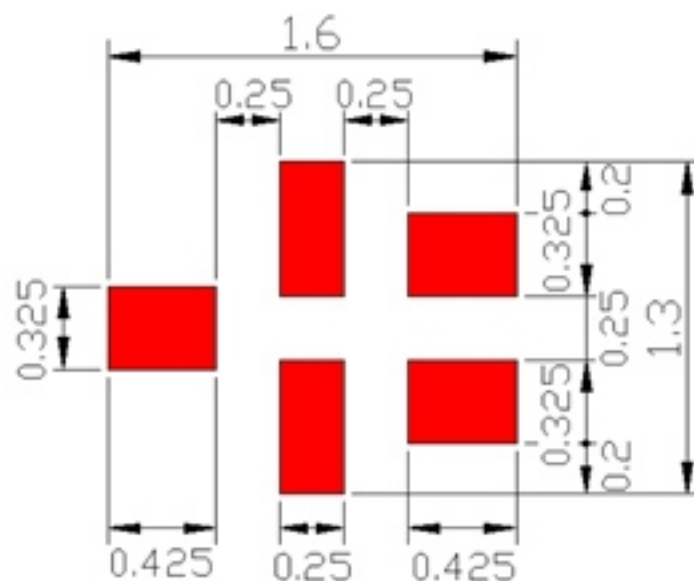
Marking Descriptions	
S	Series Number
DB	Series Number
X	Date Code(Year+Month)
YY	Lot No

Pin Description	
B, C, E	Ground
A	Input
D	Output

Date Code

Year	Jan	Feb	Mar	Apr	May	Jun	Jul	Aug	Sep	Oct	Nov	Dec
2019	a	b	c	d	e	f	g	h	j	k	l	m
2020	n	p	q	r	s	t	u	v	w	x	y	z
2021	A	B	C	D	E	F	G	H	J	K	L	M
2022	N	P	Q	R	S	T	U	V	W	X	Y	Z

PCB Footprint :

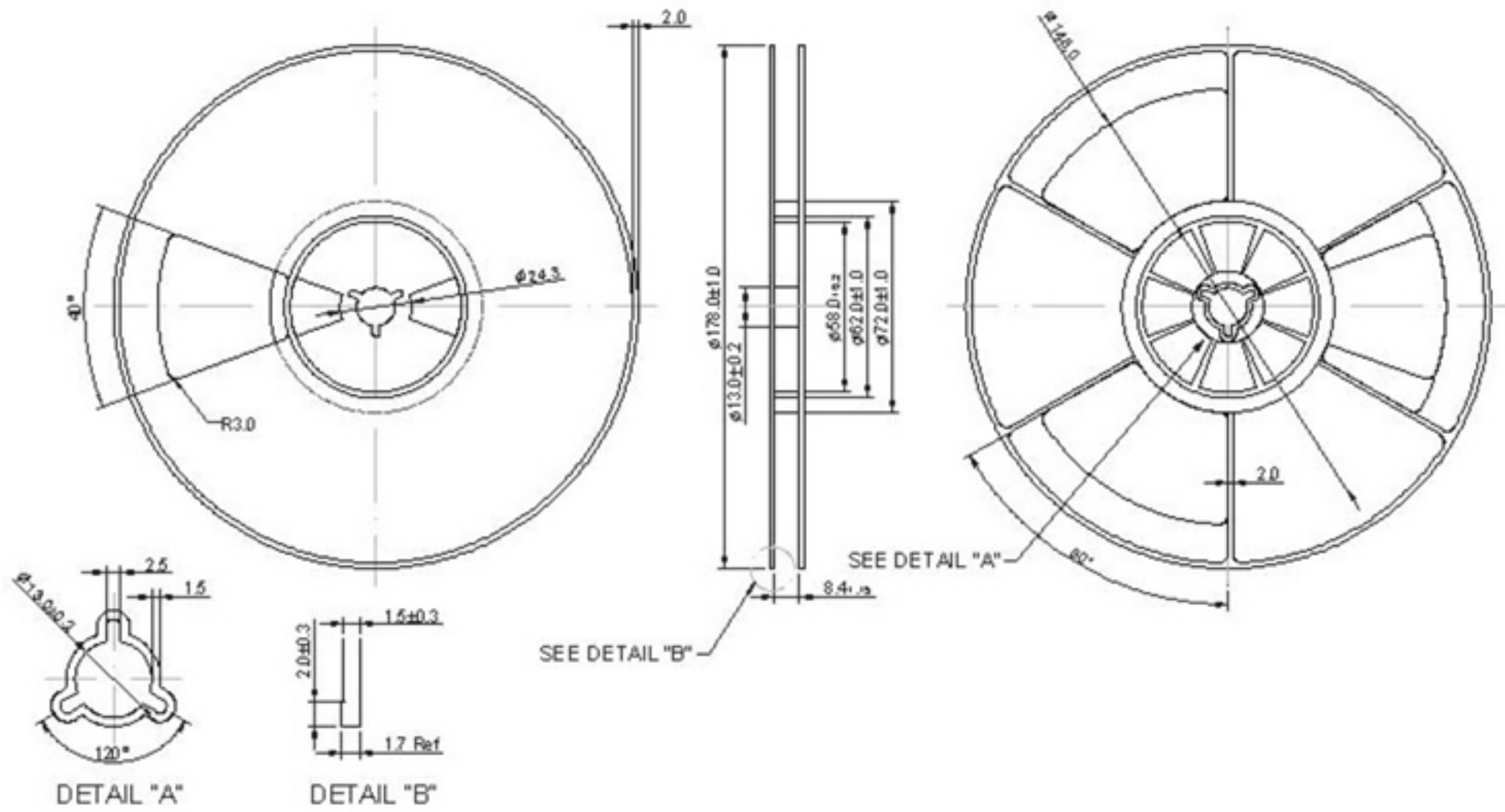


: Land Pattern
Unit: mm

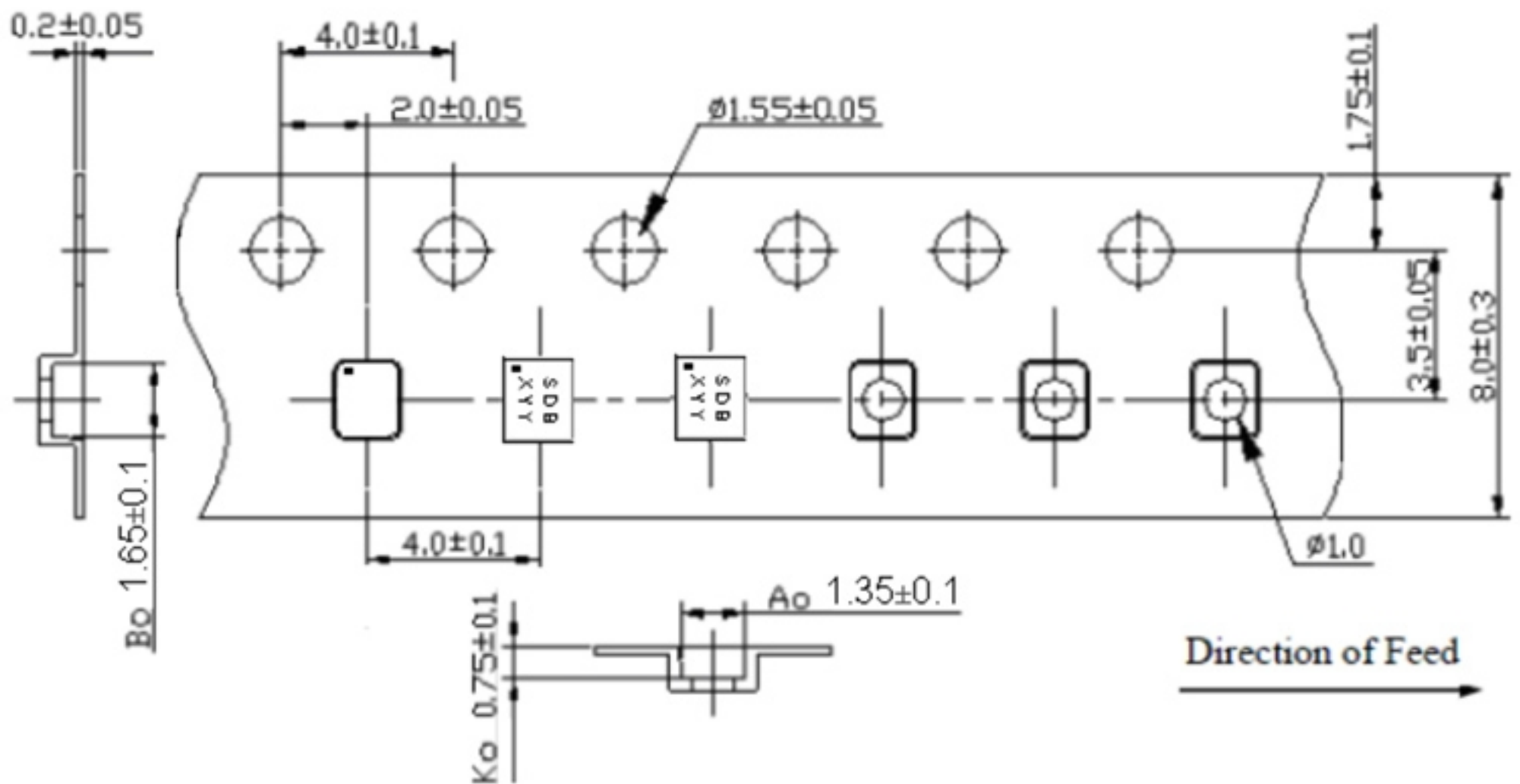
F. PACKING:

1. REEL DIMENSION

(Please refer to FR-75D10 for packing quantity)



2. TAPE DIMENSION



G. RECOMMENDED REFLOW PROFILE:

1. Preheating shall be fixed at 150~180°C for 60~90 seconds.
2. Ascending time to preheating temperature 150°C shall be 30 seconds min.
3. Heating shall be fixed at 220°C for 50~80 seconds and at 260°C +0/-5°C peak (20~40sec).
4. Time: 3 times.

