

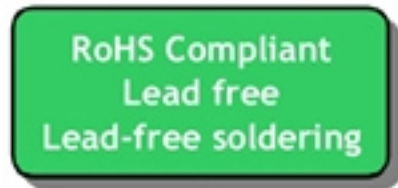
SAW Rx Filter 881.5MHz LTE Band 5 Rx SMD 1.1x0.9 (25MHz BW)

MODEL NO.: TA1811DA

REV. No.: 1.0

A. MAXIMUM RATING:

1. Maximum Input Power: 10 dBm
2. DC voltage: 0 V
3. Operating Temperature: -40 °C to +85 °C
4. Storage Temperature: -40 °C to +85 °C
5. Moisture Sensitivity Level: Level 3



Electrostatic Sensitive Device (**ESD**)

B. ELECTRICAL CHARACTERISTICS:

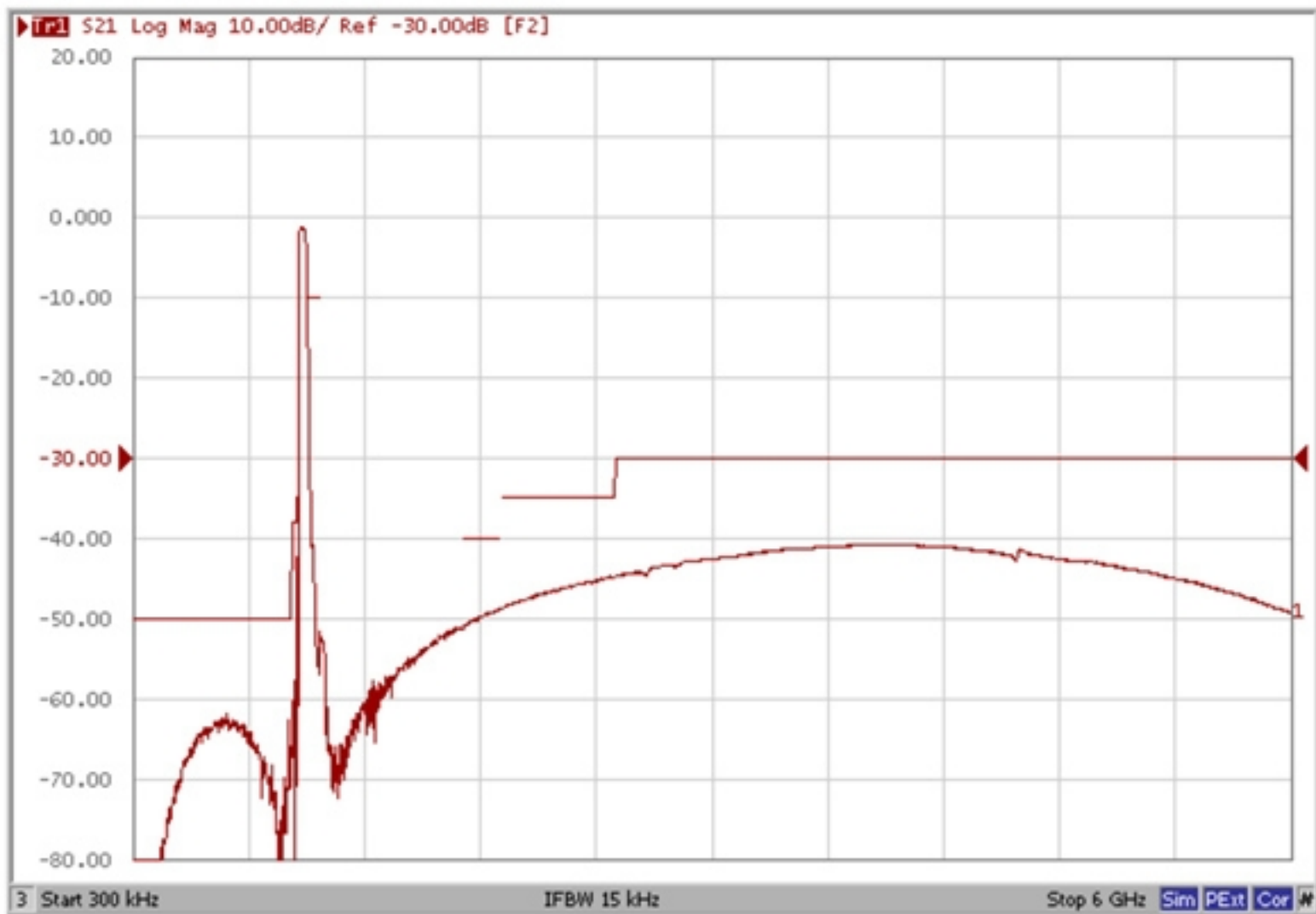
Source Impedance (single ended): 50Ω

Load Impedance (single ended): 50Ω

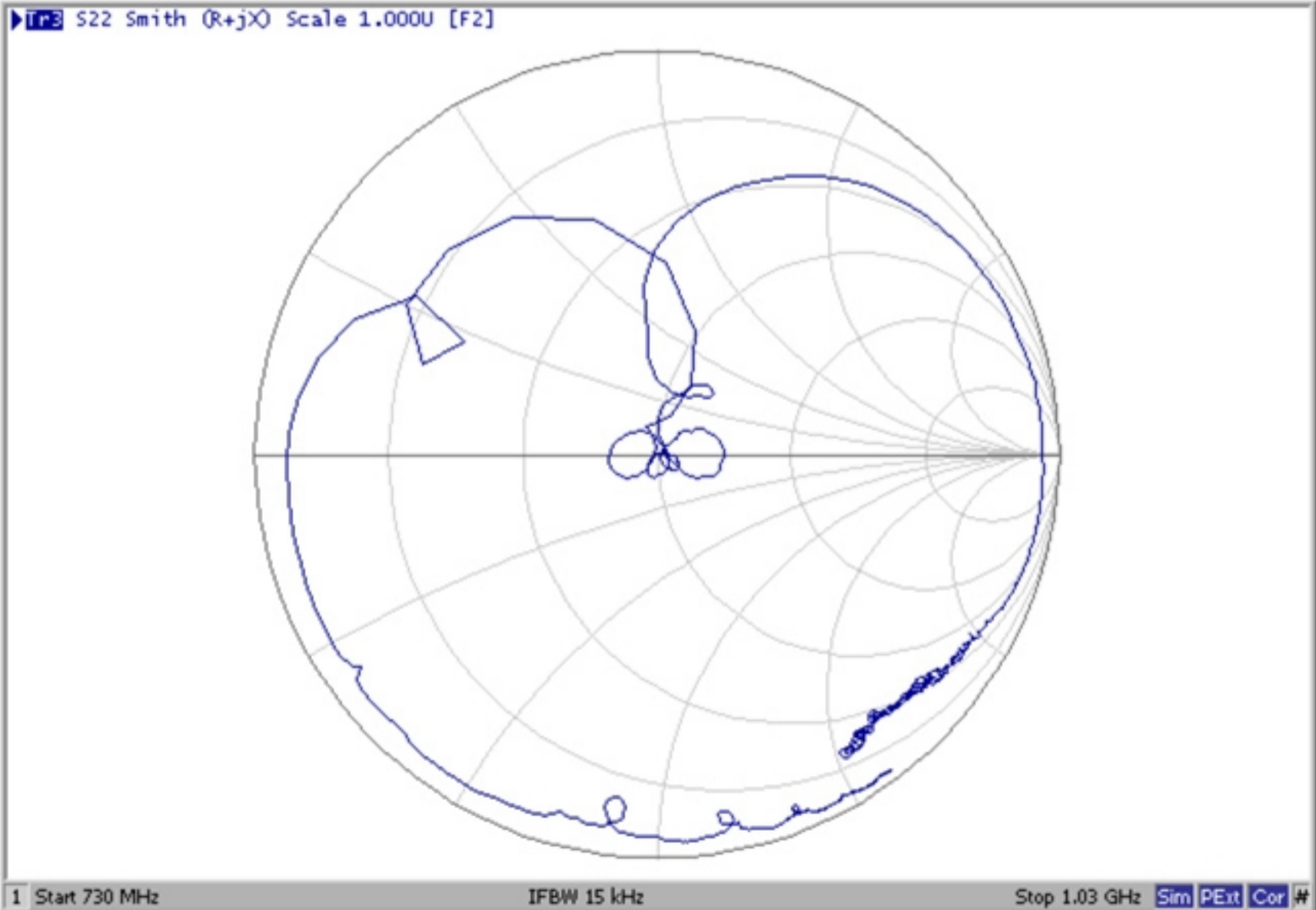
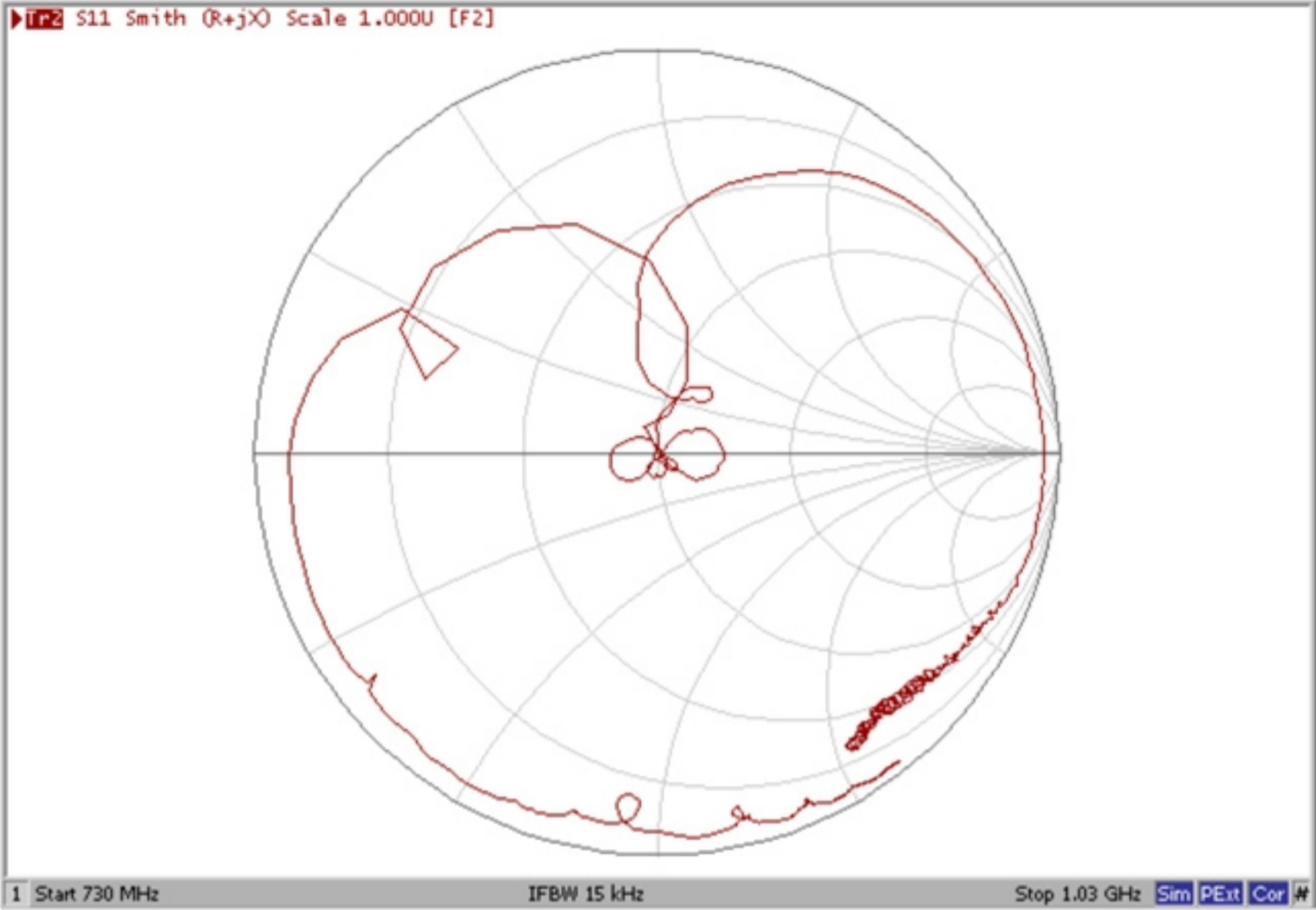
Parameters Description	Unit	Minimum	Typical	Maximum
Center Frequency (Fo)	MHz	-	881.5	-
Insertion Loss within 869.0 ~ 894.0 MHz	dB	-	1.7	3.0
Amplitude Ripple within 869.0 ~ 894.0 MHz	dB _{p-p}	-	0.6	1.8
Input VSWR within 869.0 ~ 894.0 MHz	-	-	1.4	2.1
Output VSWR within 869.0 ~ 894.0 MHz			1.4	2.1
Attenuation:				
1.0~ 824.0 MHz	dB	50	62	-
824.0 ~ 849.0 MHz	dB	35	42	-
849.0 ~ 854.0 MHz	dB	30	46	-
909.0 ~ 979.0 MHz	dB	10	22	-
1710.0 ~ 1910.0 MHz	dB	40	48	-
1920.0 ~ 2500.0 MHz	dB	35	44	-
2500.0 ~ 6000.0 MHz	dB	30	40	-

C. Frequency Characteristics :

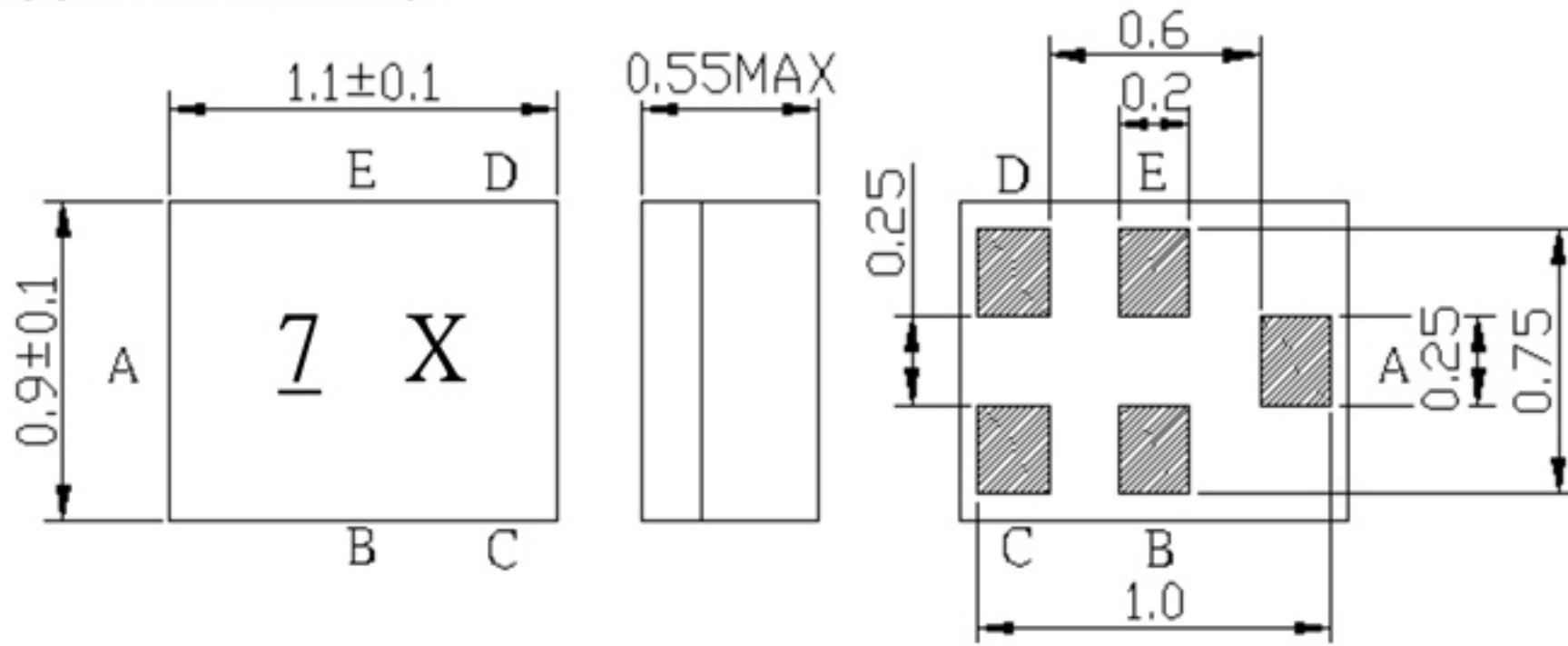
Frequency Response



Reflective Characteristic



D.OUTLINE DRAWING:



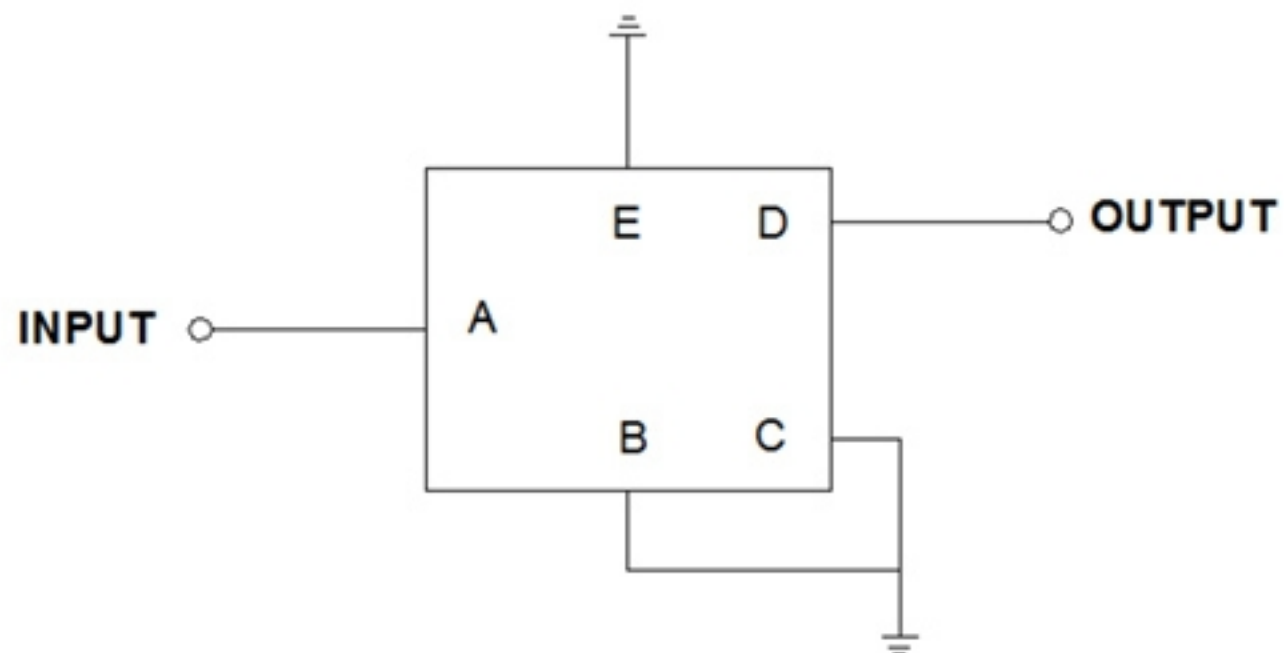
Marking Descriptions	
Z(Underline)	Series Number
X	Date Code(Year+Month)

Pin Description	
B, C, E	Ground
A	Input
D	Output

Date Code (year+month)

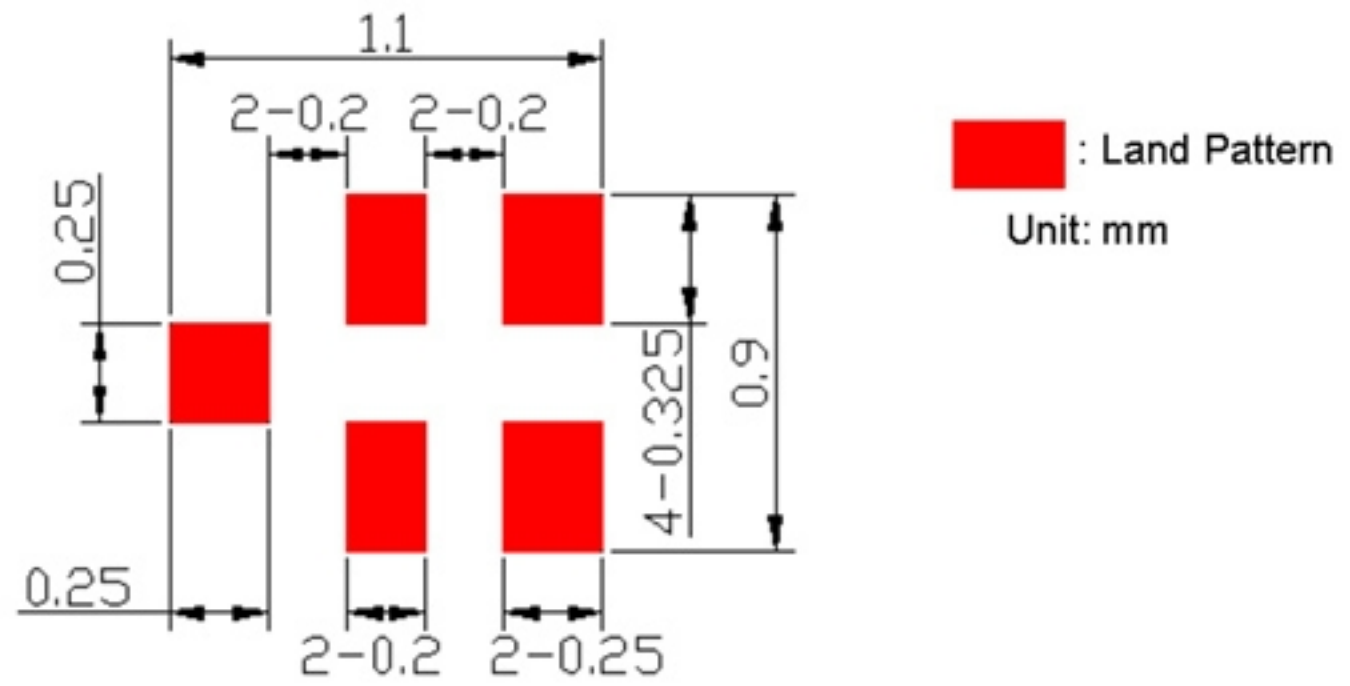
Year	Jan.	Feb.	Mar.	Apr.	May.	Jun.	Jul.	Aug.	Sep.	Oct.	Nov.	Dec.
2013	A	B	C	D	E	F	G	H	J	K	L	M
2014	N	P	Q	R	S	T	U	V	W	X	Y	Z
2015	a	b	c	d	e	f	g	h	j	k	l	m
2016	n	p	q	r	s	t	u	v	w	x	y	z
2017	<u>A</u>	<u>B</u>	<u>C</u>	<u>D</u>	<u>E</u>	<u>F</u>	<u>G</u>	<u>H</u>	<u>J</u>	<u>K</u>	<u>L</u>	<u>M</u>
2018	<u>N</u>	<u>P</u>	<u>Q</u>	<u>R</u>	<u>S</u>	<u>T</u>	<u>U</u>	<u>V</u>	<u>W</u>	<u>X</u>	<u>Y</u>	<u>Z</u>
2019	<u>a</u>	<u>b</u>	<u>c</u>	<u>d</u>	<u>e</u>	<u>f</u>	<u>g</u>	<u>h</u>	<u>i</u>	<u>k</u>	<u>l</u>	<u>m</u>
2020	<u>n</u>	<u>p</u>	<u>q</u>	<u>r</u>	<u>s</u>	<u>t</u>	<u>u</u>	<u>v</u>	<u>w</u>	<u>x</u>	<u>y</u>	<u>z</u>

E. MEASUREMENT CIRCUIT:



Source & Load Impedance: 50

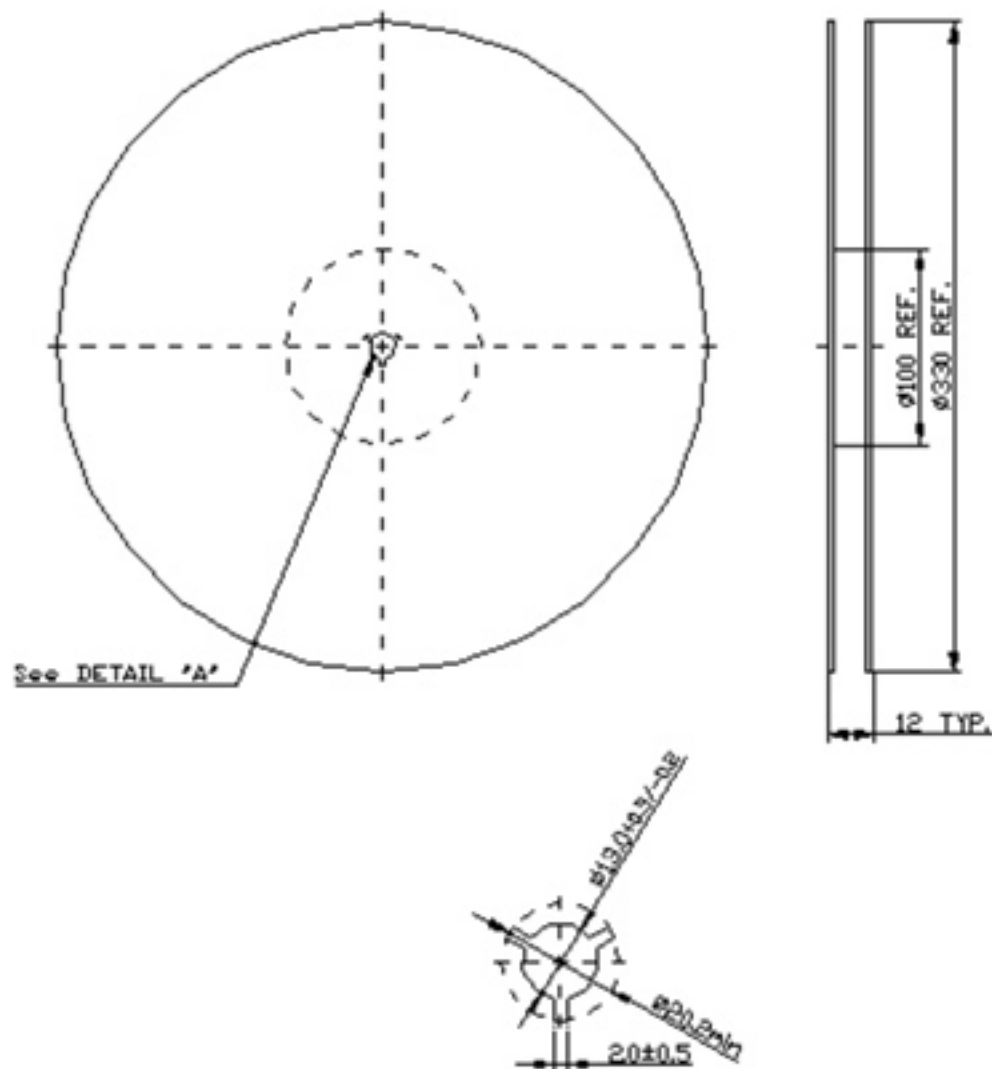
F. PCB Footprint :



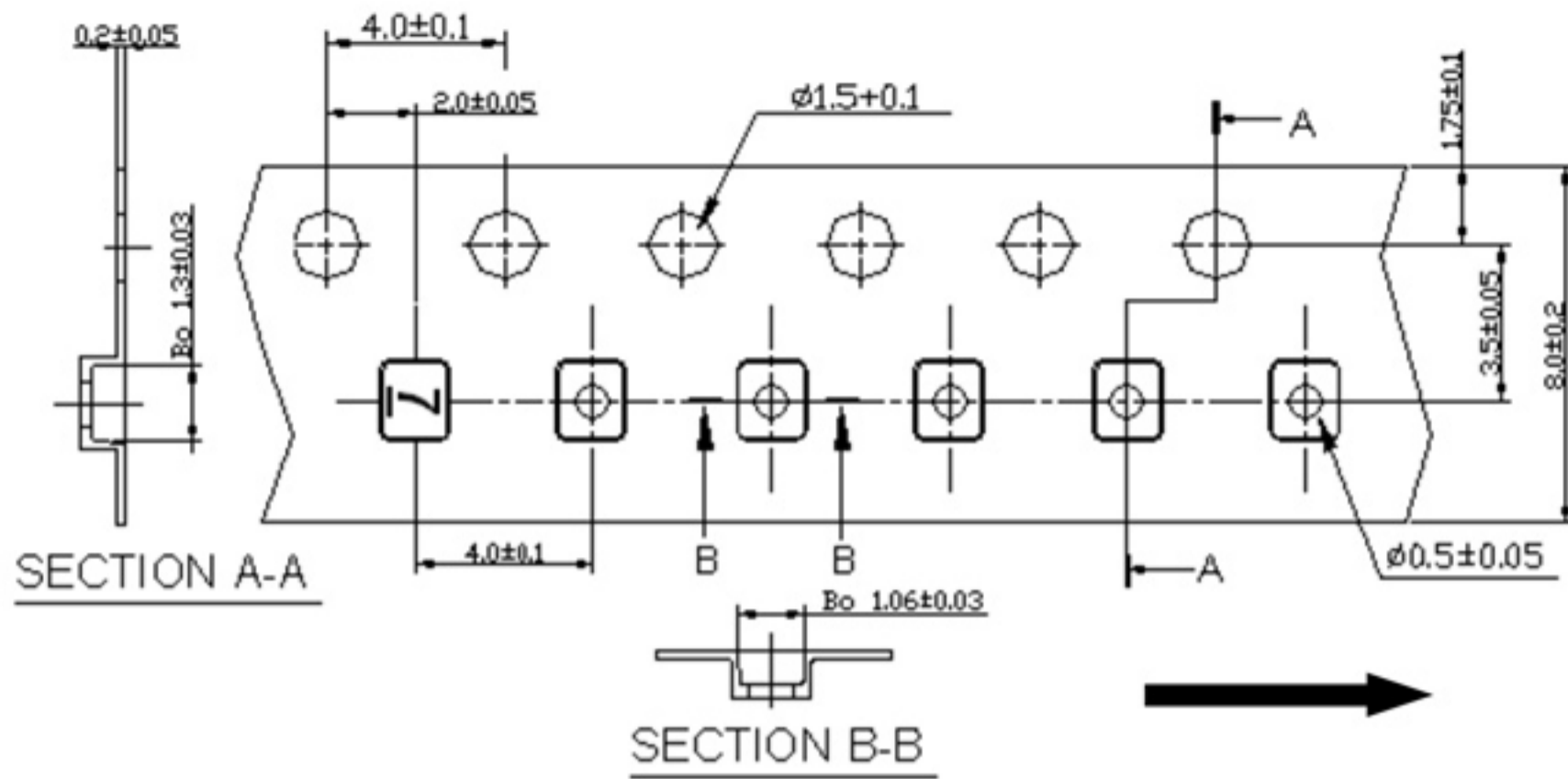
G. PACKING:

1. REEL DIMENSION

(Please refer to FR-75D10 for packing quantity)



2. TAPE DIMENSION



H. RECOMMENDED REFLOW PROFILE:

1. Preheating shall be fixed at $150 \sim 180^{\circ}\text{C}$ for 60~90 seconds.
2. Ascending time to preheating temperature 150°C shall be 30 seconds min.
3. Heating shall be fixed at 220°C for 50~80 seconds and at $260^{\circ}\text{C} +0/-5^{\circ}\text{C}$ peak (20~40sec).
4. Time: 2 times.

