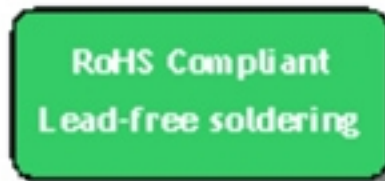


**A. MAXIMUM RATING:**

1. Input Power Level: 18 dBm
2. DC Voltage : 0V
3. Operating Temperature: -30 °C to +85 °C
4. Storage Temperature: -40 °C to +85 °C
5. Moisture Sensitive Level: Level 3 (MSL3)
6. ESD 50V(MM), 100V(HBM).



**Electrostatic Sensitive Device (ESD)**

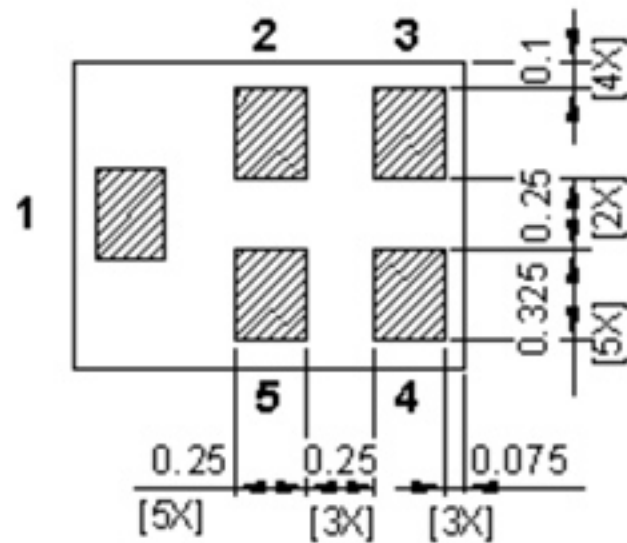
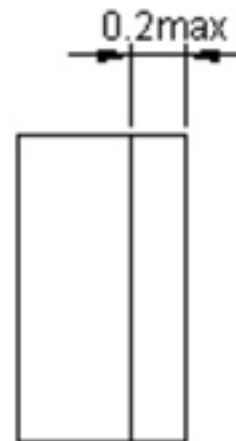
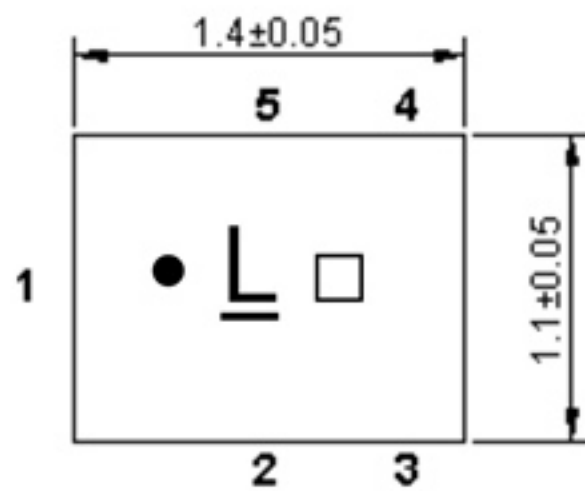
**B. ELECTRICAL CHARACTERISTICS:**

Terminating source impedance:  $Z_s = 50 \Omega$

Terminating load impedance:  $Z_L = 50 \Omega$

Item	Unit	Min.	Typ.	Max.
<b>Center Frequency</b>	MHz	-	881.5	-
<b>Insertion Loss</b> (869 ~ 894 MHz)	dB	-	2.3	3.0
<b>Amplitude Ripple</b> (869 ~ 894 MHz)	dB	-	0.7	1.5
<b>VSWR</b> (869 ~ 894 MHz)	-	-	2.1	2.3
<b>Attenuation</b> (reference level from 0 dB)				
10 ~ 824 MHz	dB	40	53	-
824 ~ 849 MHz	dB	40	50	-
849 ~ 859 MHz	dB	7	26	-
914 ~ 970 MHz	dB	16	28	-
970 ~ 1049 MHz	dB	40	48	-
1049 ~ 2000 MHz	dB	38	41	-
2000 ~ 3000 MHz	dB	30	36	-
3000 ~ 4500 MHz	dB	25	33	-

### C.OUTLINE DRAWING:



All tolerances are +/-0.05 mm unless otherwise specified

Coplanarity : 0.1 mm max.

1 to 5 : Pin No.

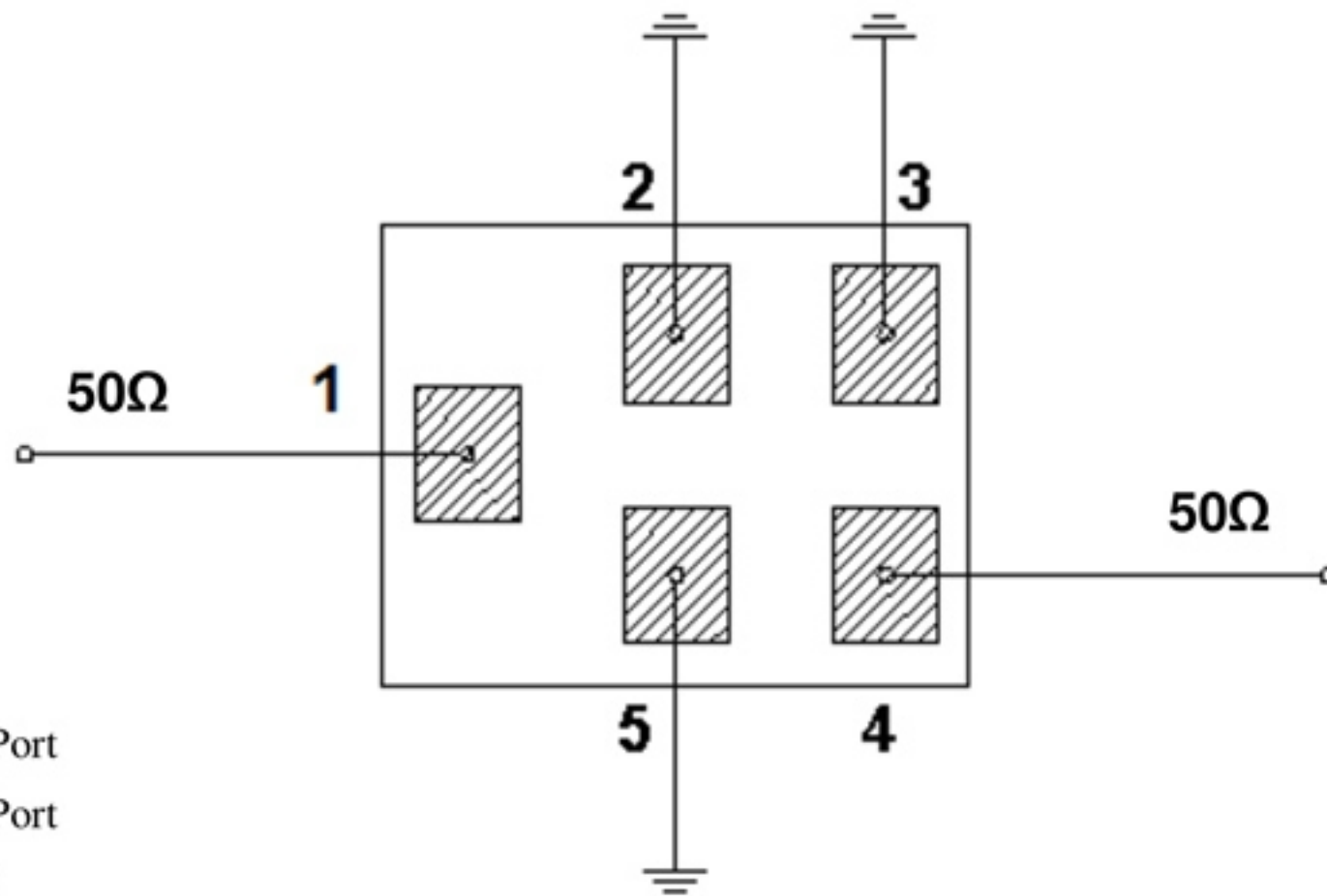
Unit : mm

Pin No.	Symbol	Function
1	IN	Input
2	GND	Ground
3	GND	Ground
4	OUT	Output
5	GND	Ground

□ : Year/Month Code (Follow the table)

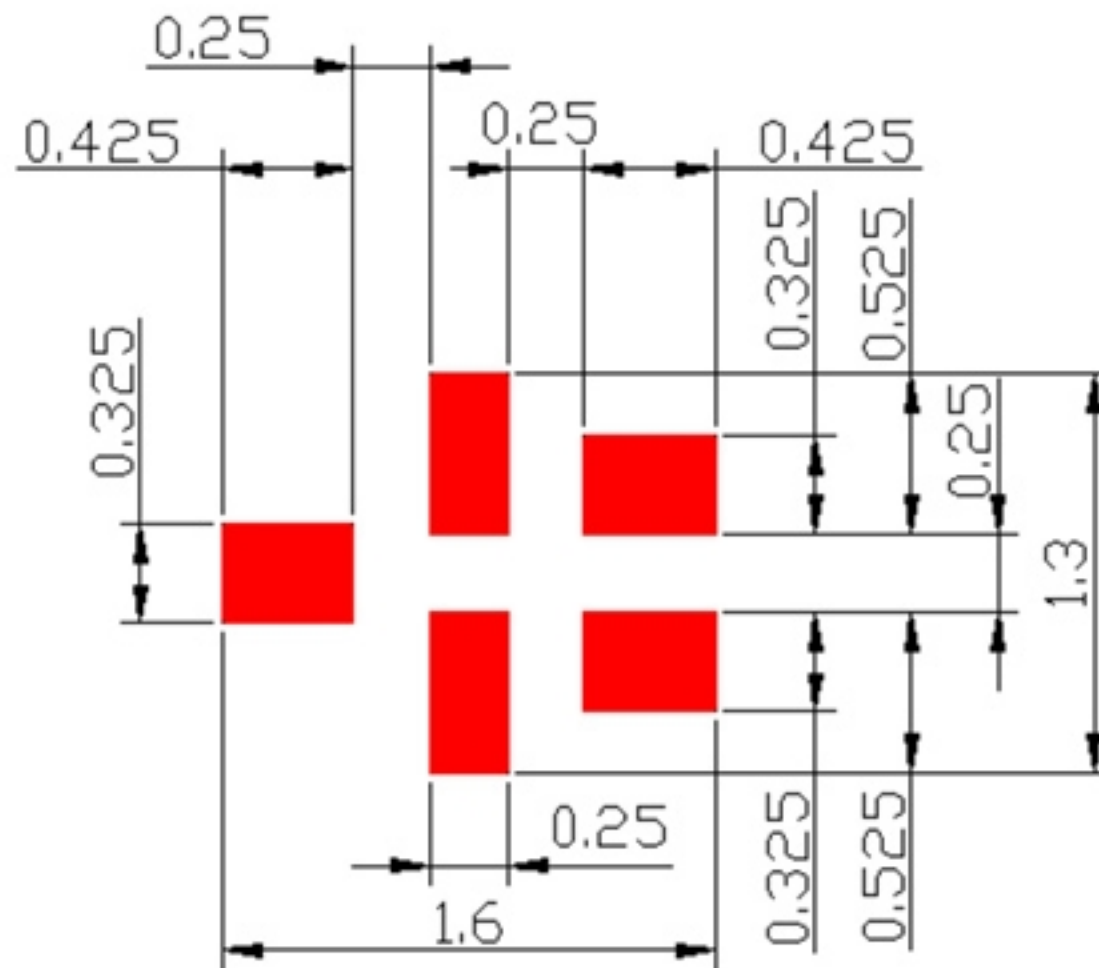
YEAR/Month	1	2	3	4	5	6	7	8	9	10	11	12
2013	A	B	C	D	E	F	G	H	J	K	L	M
2014	N	P	Q	R	S	T	U	V	W	X	Y	Z
2015	a	b	c	d	e	f	g	h	j	k	l	m
2016	n	p	q	r	s	t	u	v	w	x	y	z
2017	<u>A</u>	<u>B</u>	<u>C</u>	<u>D</u>	<u>E</u>	<u>F</u>	<u>G</u>	<u>H</u>	<u>J</u>	<u>K</u>	<u>L</u>	<u>M</u>
2018	<u>N</u>	<u>P</u>	<u>Q</u>	<u>R</u>	<u>S</u>	<u>T</u>	<u>U</u>	<u>V</u>	<u>W</u>	<u>X</u>	<u>Y</u>	<u>Z</u>
2019	<u>a</u>	<u>b</u>	<u>c</u>	<u>d</u>	<u>e</u>	<u>f</u>	<u>g</u>	<u>h</u>	<u>i</u>	<u>k</u>	<u>l</u>	<u>m</u>
2020	<u>n</u>	<u>p</u>	<u>q</u>	<u>r</u>	<u>s</u>	<u>t</u>	<u>u</u>	<u>v</u>	<u>w</u>	<u>x</u>	<u>y</u>	<u>z</u>

**D. MEASUREMENT CIRCUIT:**



- (1): Unbalance Port
- (4): Unbalance Port
- Others: Ground

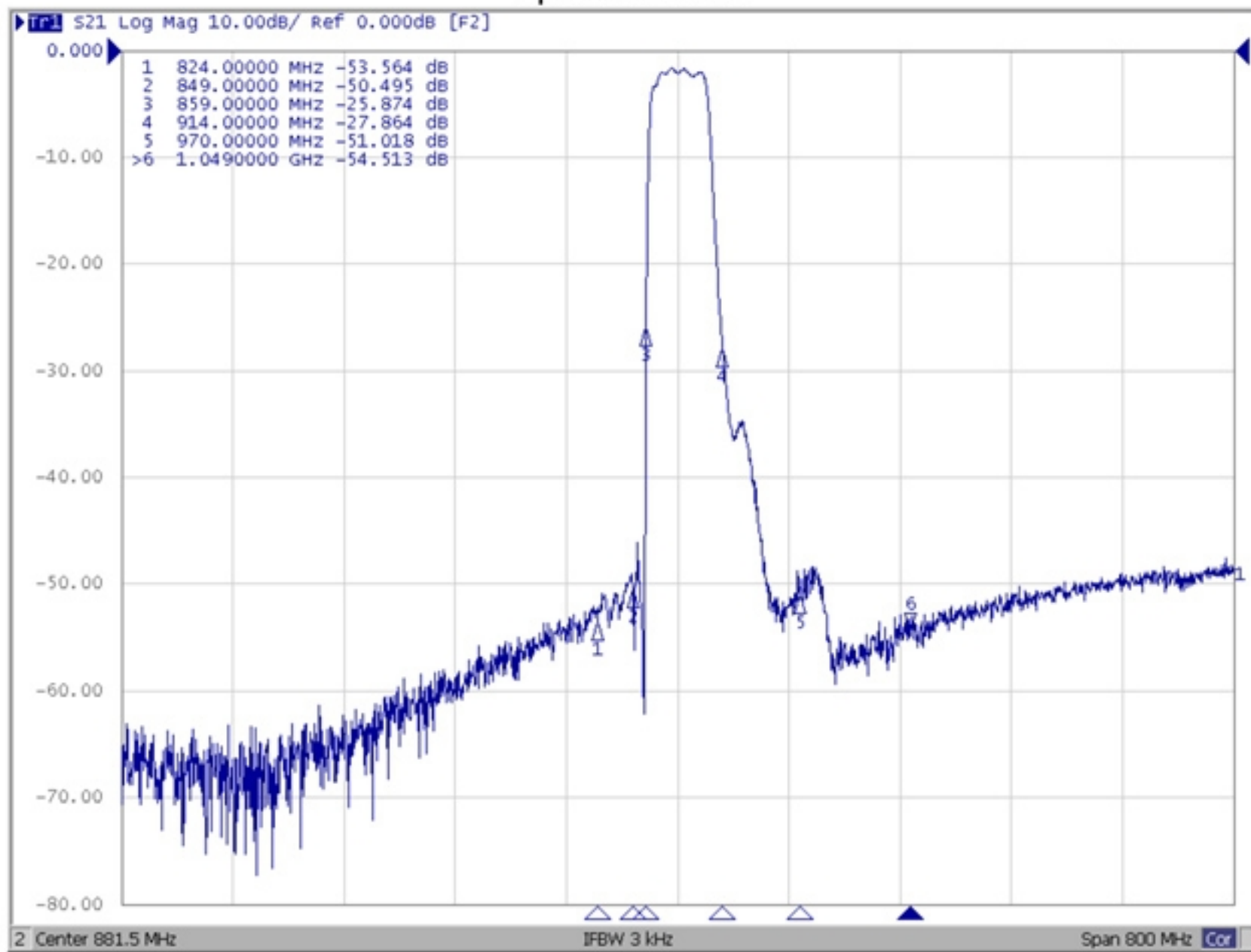
**E. PCB Footprint:**



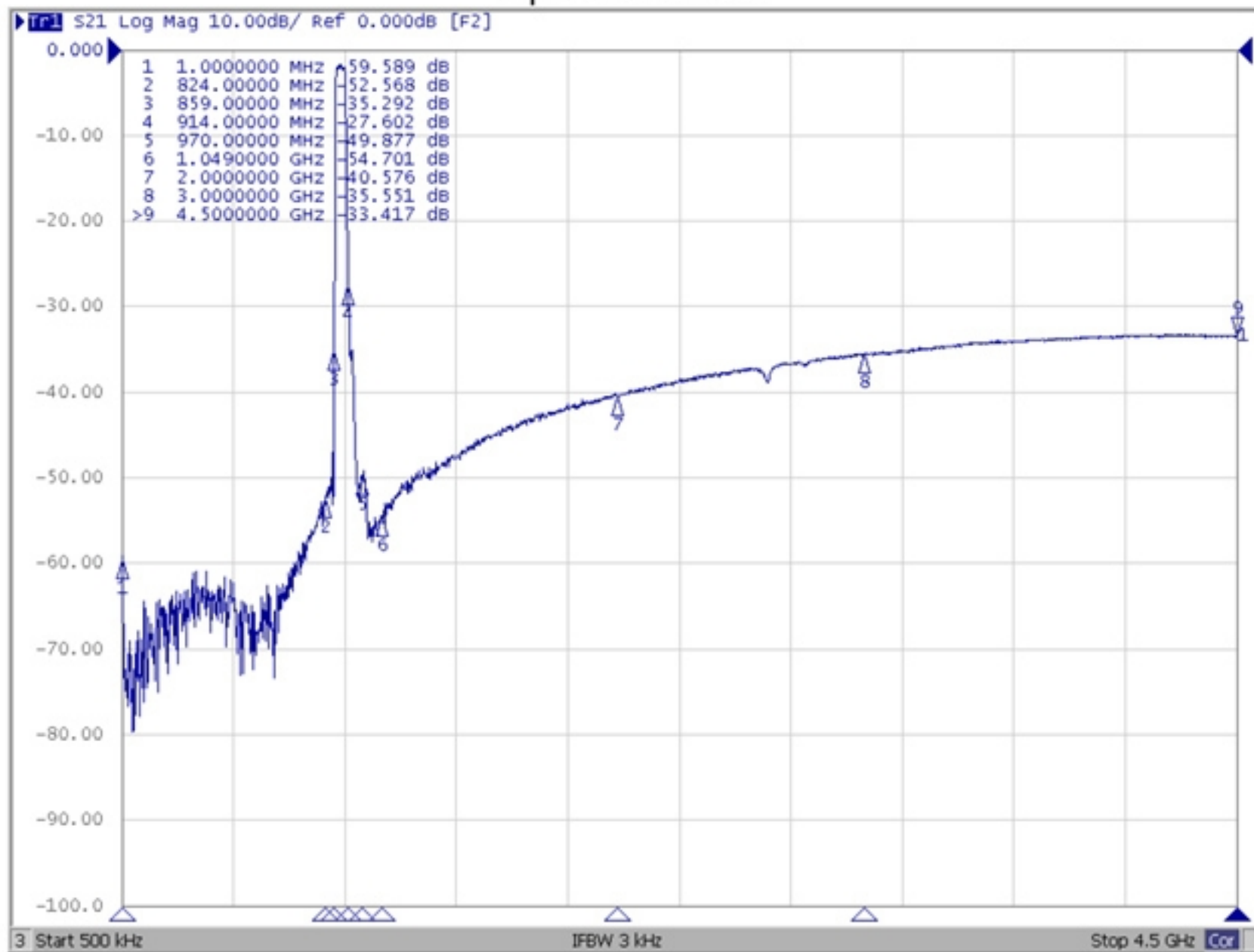
: Land Pattern  
 Unit : mm

## F. Frequency Characteristics:

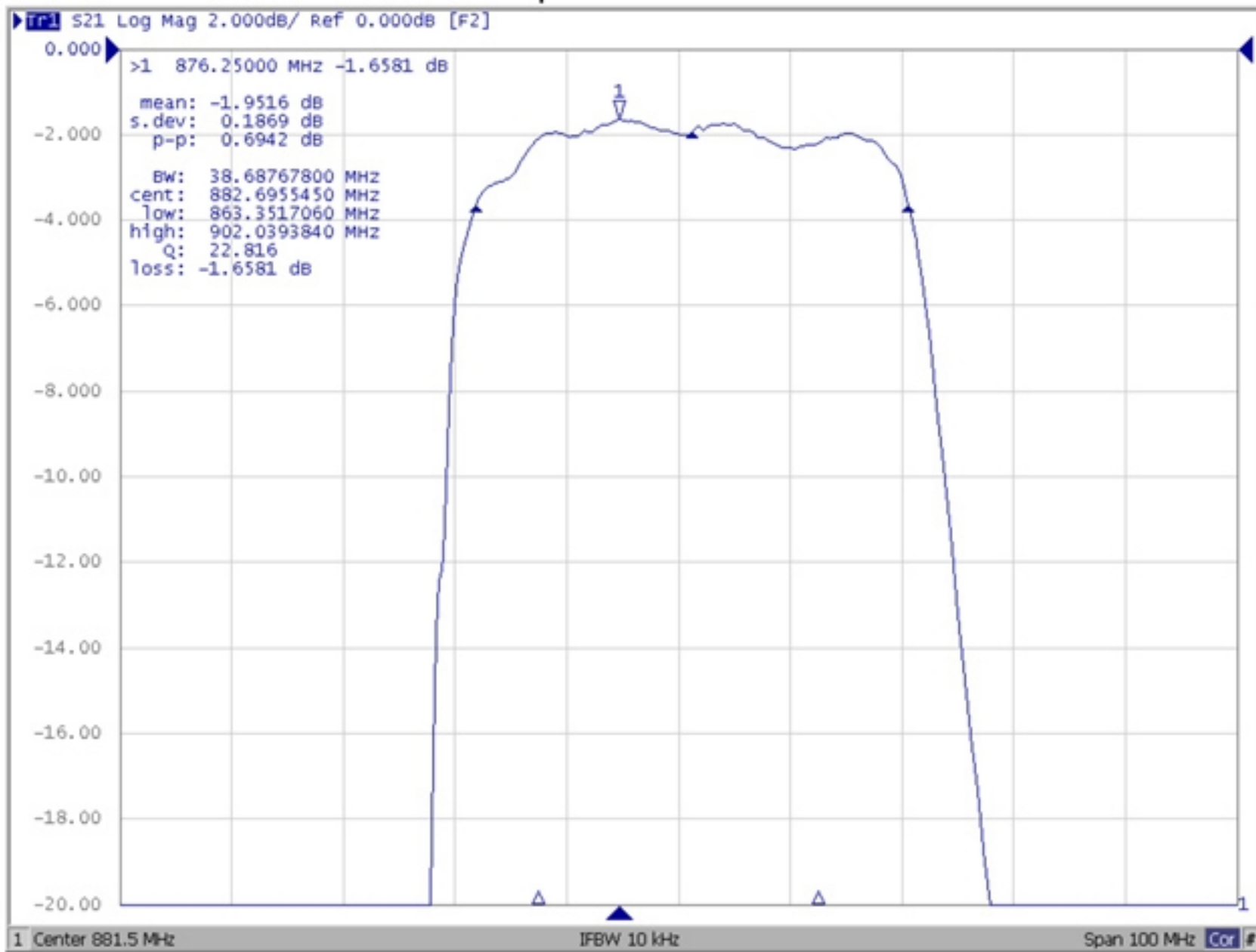
Span 800 MHz



Span 4500 MHz

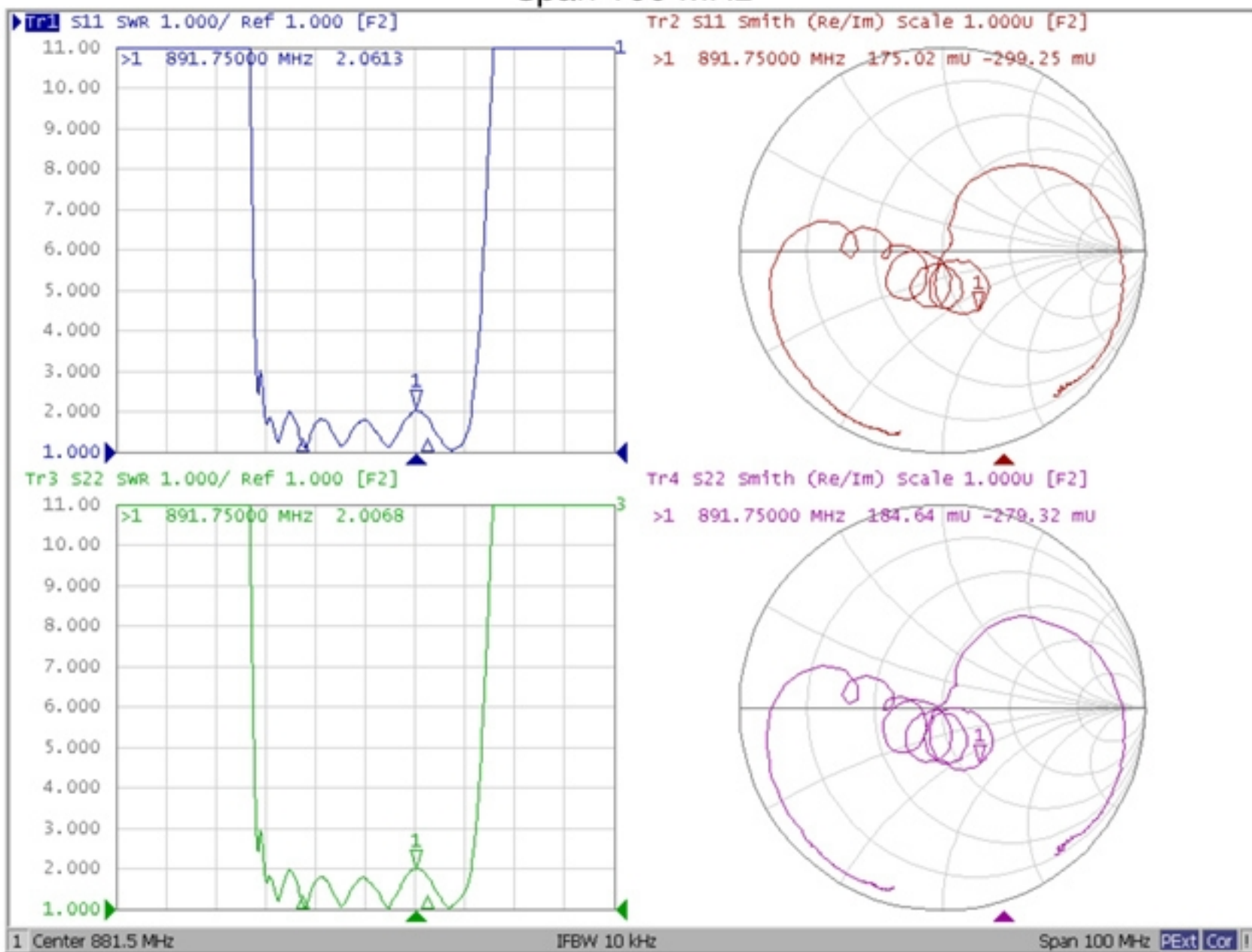


### Span 100 MHz



### Reflection Functions:

### Span 100 MHz

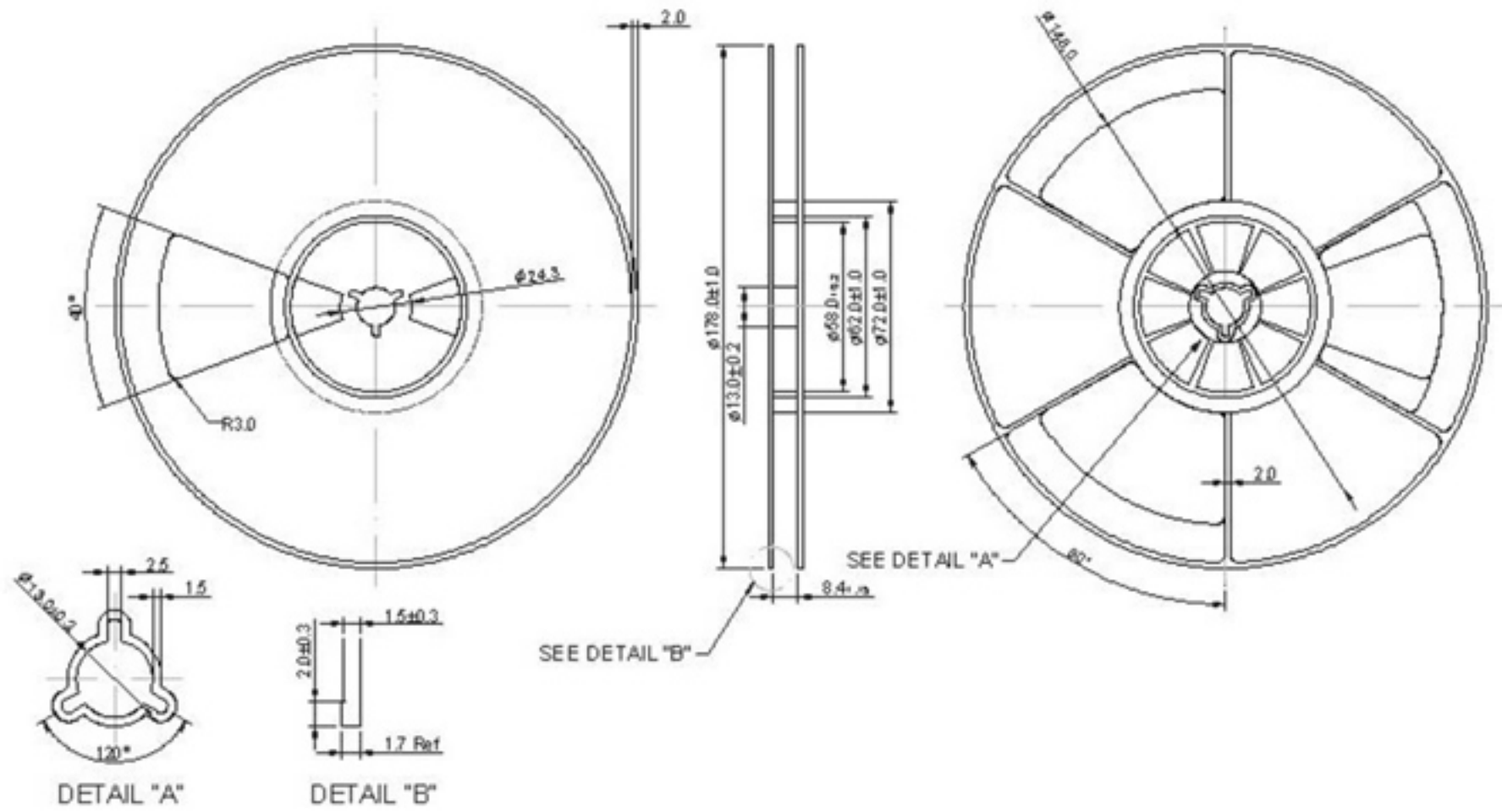




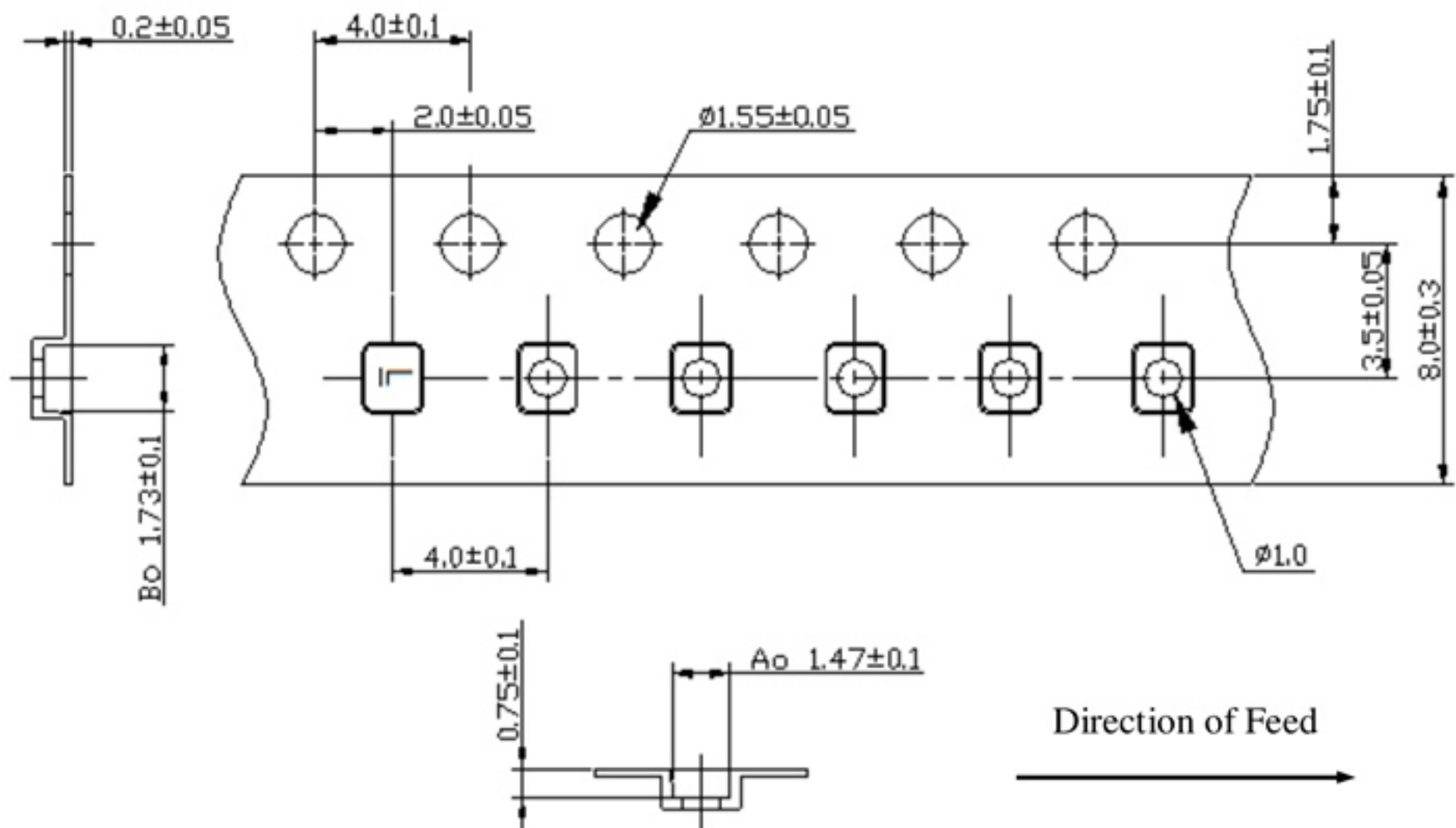
**G. PACKING:**

**1. REEL DIMENSION**

(Please refer to FR-75D10 for packing quantity)



**2. TAPE DIMENSION**



## H. RECOMMENDED REFLOW PROFILE :

1. Preheating shall be fixed at  $150\sim 180^{\circ}\text{C}$  for 60~90 seconds.
2. Ascending time to preheating temperature  $150^{\circ}\text{C}$  shall be 30 seconds min.
3. Heating shall be fixed at  $220^{\circ}\text{C}$  for 50~80 seconds and at  $260^{\circ}\text{C} +0/-5^{\circ}\text{C}$  peak (20~40sec).
4. Time: 2 times.

