

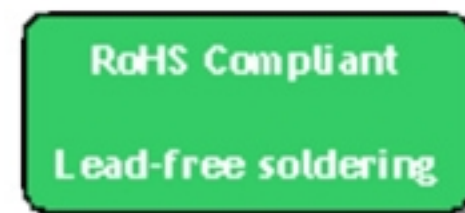
SAW Filter 897.5 MHz (BW 35 MHz) SMD 1.4 x 1.1mm

MODEL NO.:TA2642A

REV. NO.:1.0

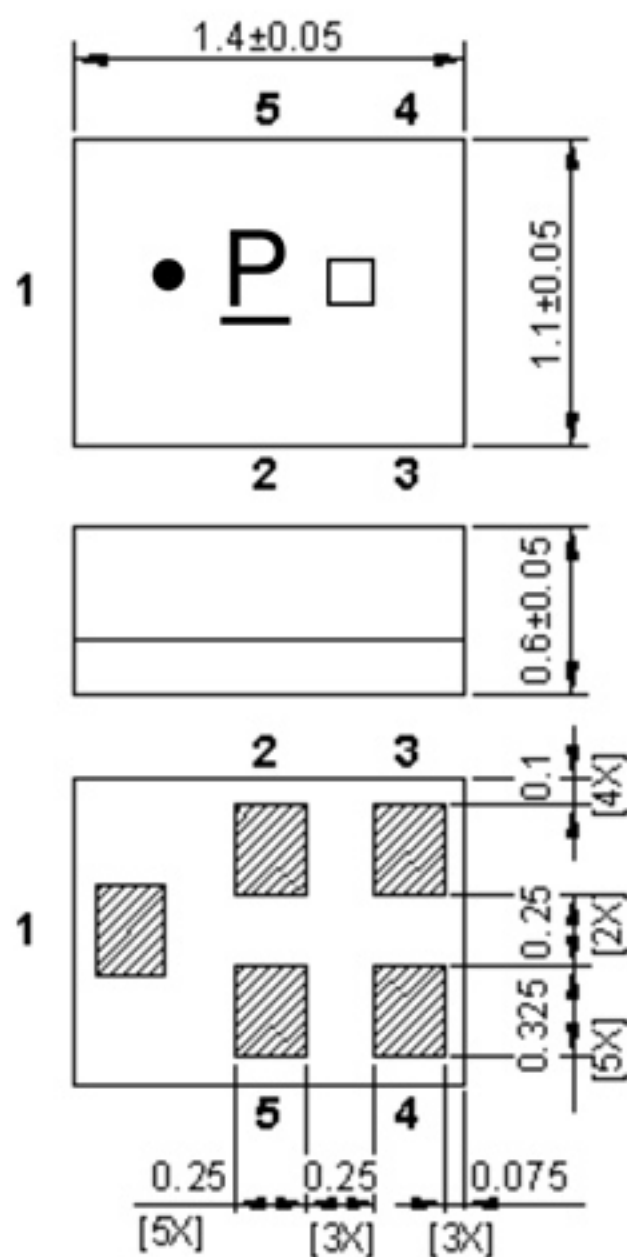
A. MAXIMUM RATING:

1. Input Power Level: 15 dBm
2. DC Voltage : 0V
3. Operating Temperature: -30 °C to +85 °C
4. Storage Temperature: -40 °C to +85 °C
5. Moisture Sensitive Level: Level 3 (MSL3)
6. ESD 50V(MM), 100V(HBM).

**Electrostatic Sensitive Device (ESD)****B. ELECTRICAL CHARACTERISTICS:**Terminating source impedance: $Z_s = 50 \Omega$ Terminating load impedance: $Z_L = 50 \Omega$

Item	Unit	Min	Typ	Max
Center frequency	MHz	-	897.5	-
Insertion Loss (880.0 – 915.0 MHz)	dB	-	2.0	4.0
Amplitude Ripple (880.0 – 915.0 MHz)	dB	-	0.8	2.5
VSWR (880.0 – 915.0 MHz)	dB	-	1.6	2.2
Attenuation (Reference level from 0 dB)				
10 – 835 MHz	dB	35	45	-
835 – 870 MHz	dB	20	38	-
925.4 – 935 MHz	dB	12	20	-
935 – 960 MHz	dB	28	34	-
960 – 1760 MHz	dB	30	45	-
1760 – 1830 MHz	dB	28	45	-
1830 – 2640 MHz	dB	25	38	-
2640 – 2745 MHz	dB	25	38	-
2745 – 5000 MHz	dB	15	22	-
5000 – 6000 MHz	dB	10	16	-
Temperature coefficient of Frequency	ppm/K	-	-36	-

C.OUTLINE DRAWING:



All tolerances are ± 0.05 mm unless otherwise specified

Coplanarity : 0.1 mm max.

1 to 5 : Pin No.

Unit : mm

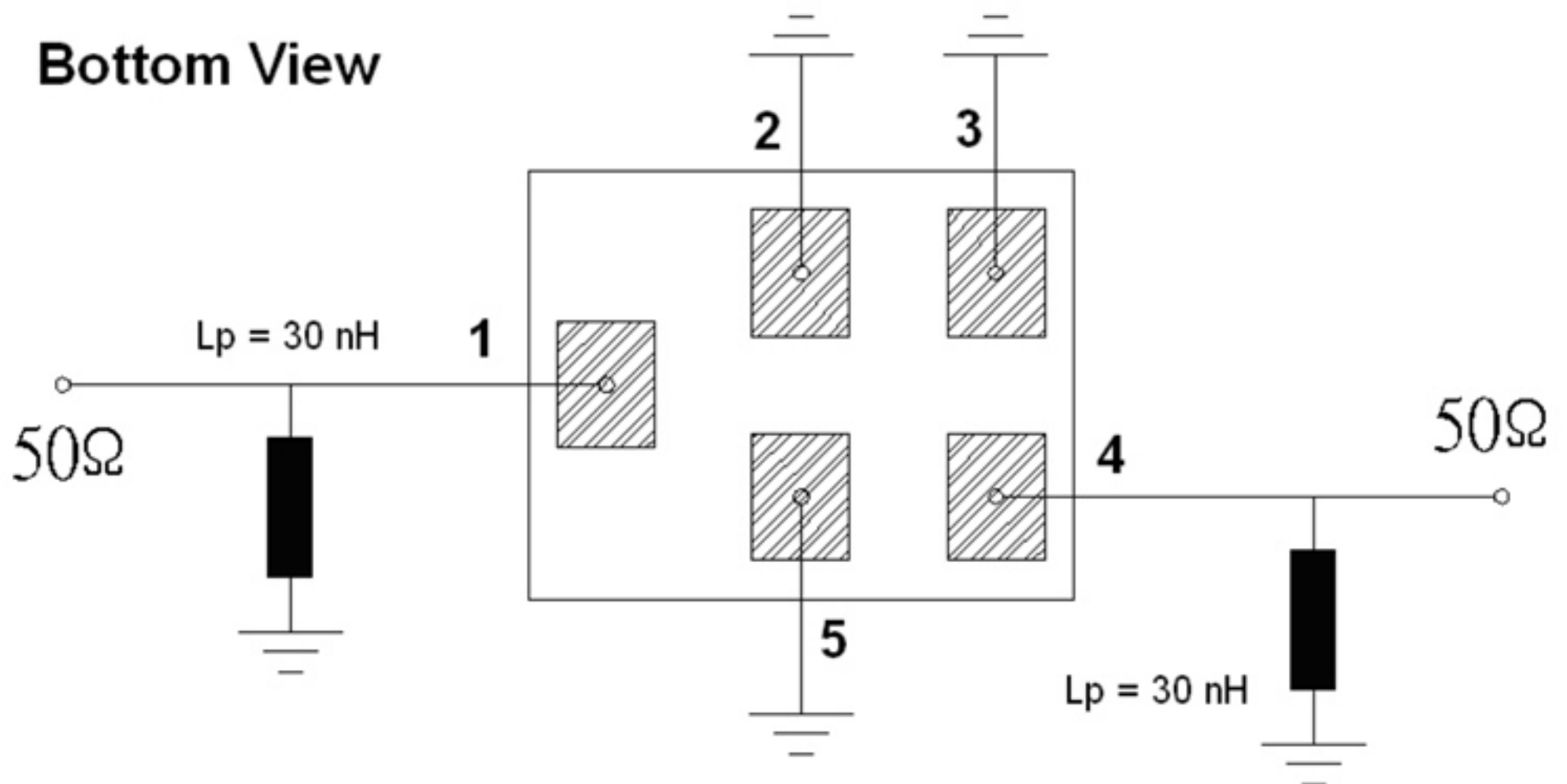
Pin No.	Symbol	Function
1	IN	Input
2	GND	Ground
3	GND	Ground
4	OUT	Output
5	GND	Ground

□ : Year/Month Code (Follow the table)

YEAR/Month	1	2	3	4	5	6	7	8	9	10	11	12
2013	A	B	C	D	E	F	G	H	J	K	L	M
2014	N	P	Q	R	S	T	U	V	W	X	Y	Z
2015	a	b	c	d	e	f	g	h	j	k	l	m
2016	n	p	q	r	s	t	u	v	w	x	y	z
2017	<u>A</u>	<u>B</u>	<u>C</u>	<u>D</u>	<u>E</u>	<u>F</u>	<u>G</u>	<u>H</u>	<u>J</u>	<u>K</u>	<u>L</u>	<u>M</u>
2018	<u>N</u>	<u>P</u>	<u>Q</u>	<u>R</u>	<u>S</u>	<u>T</u>	<u>U</u>	<u>V</u>	<u>W</u>	<u>X</u>	<u>Y</u>	<u>Z</u>
2019	<u>a</u>	<u>b</u>	<u>c</u>	<u>d</u>	<u>e</u>	<u>f</u>	<u>g</u>	<u>h</u>	<u>i</u>	<u>k</u>	<u>l</u>	<u>m</u>
2020	<u>n</u>	<u>p</u>	<u>q</u>	<u>r</u>	<u>s</u>	<u>t</u>	<u>u</u>	<u>v</u>	<u>w</u>	<u>x</u>	<u>y</u>	<u>z</u>

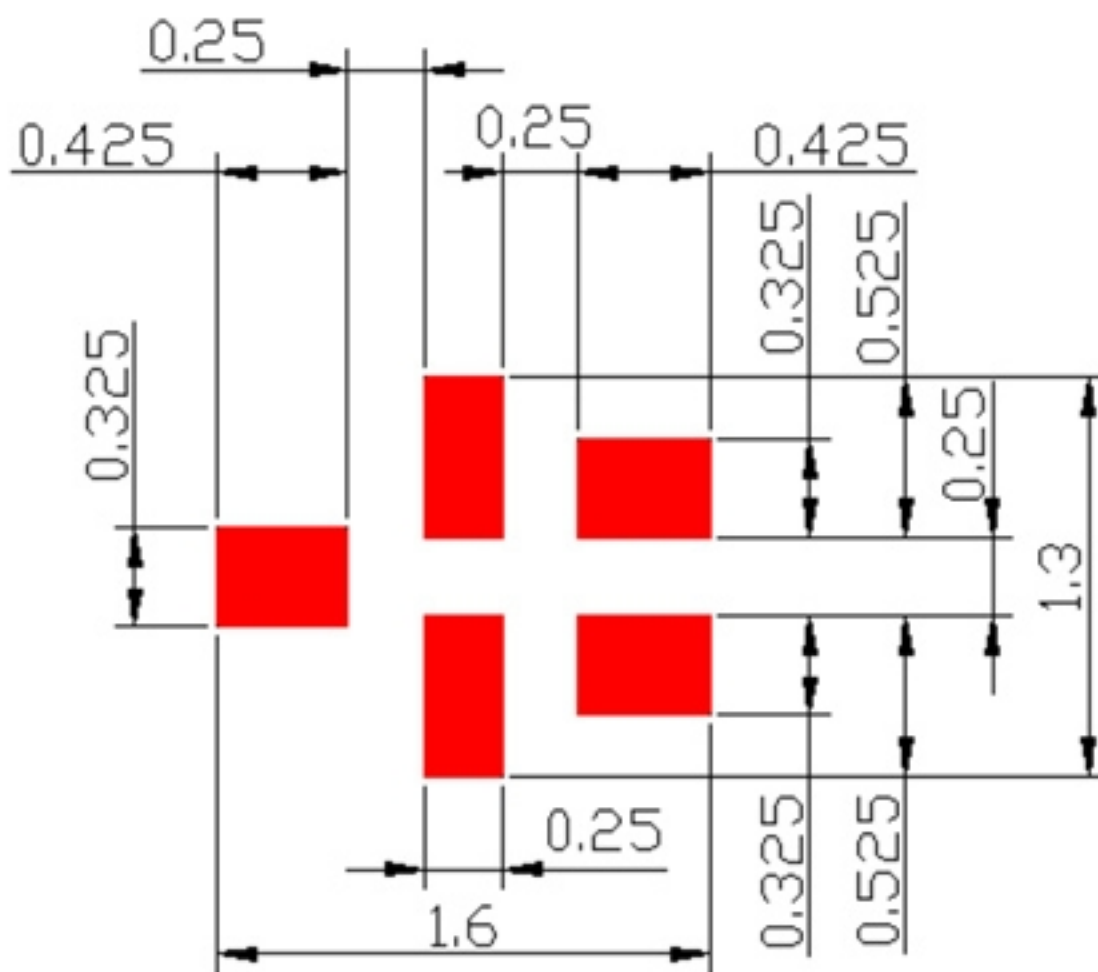
D. MEASUREMENT CIRCUIT:

Bottom View



- (1): Unbalance Port
- (4): Unbalance Port
- Others: Ground

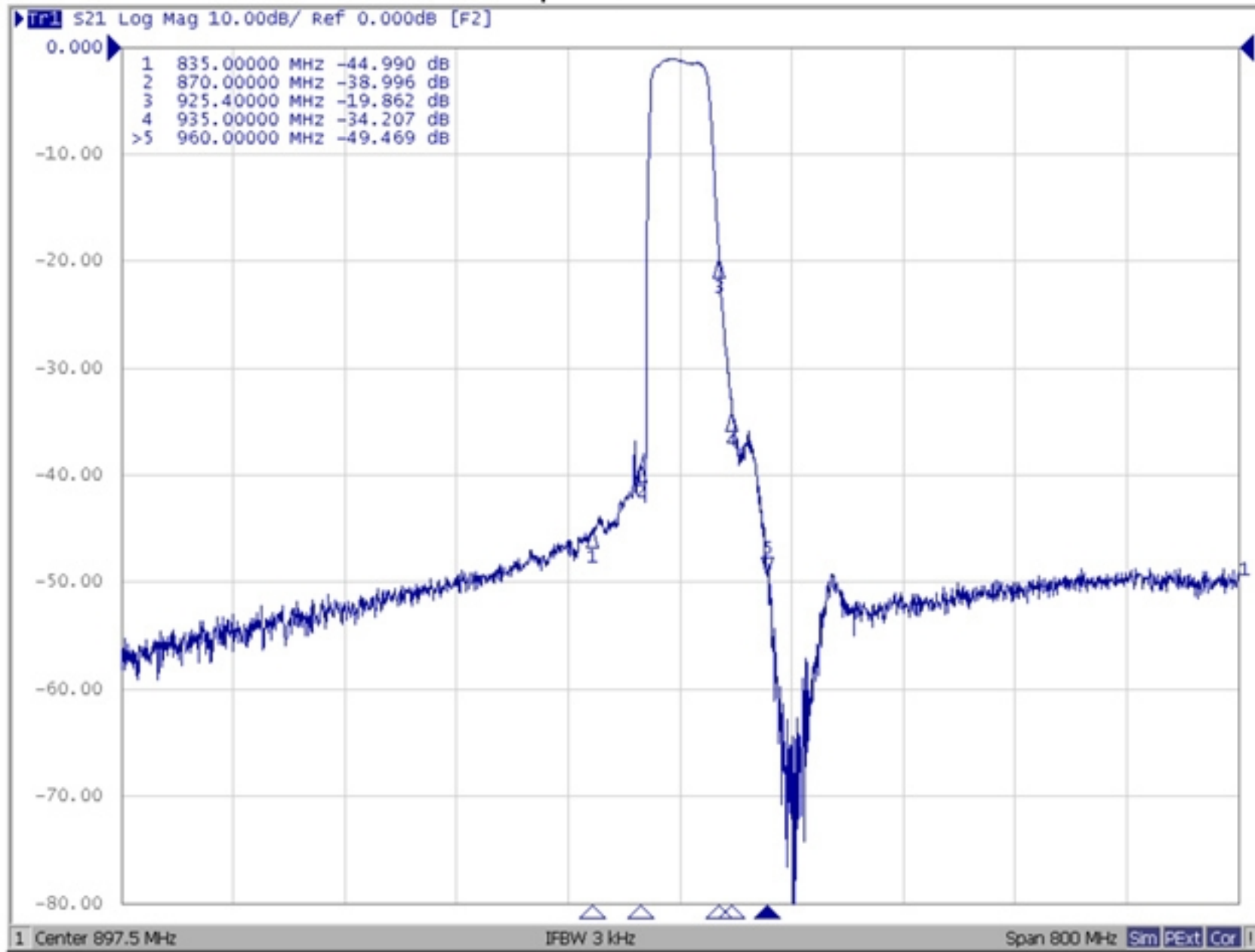
E. PCB Footprint:



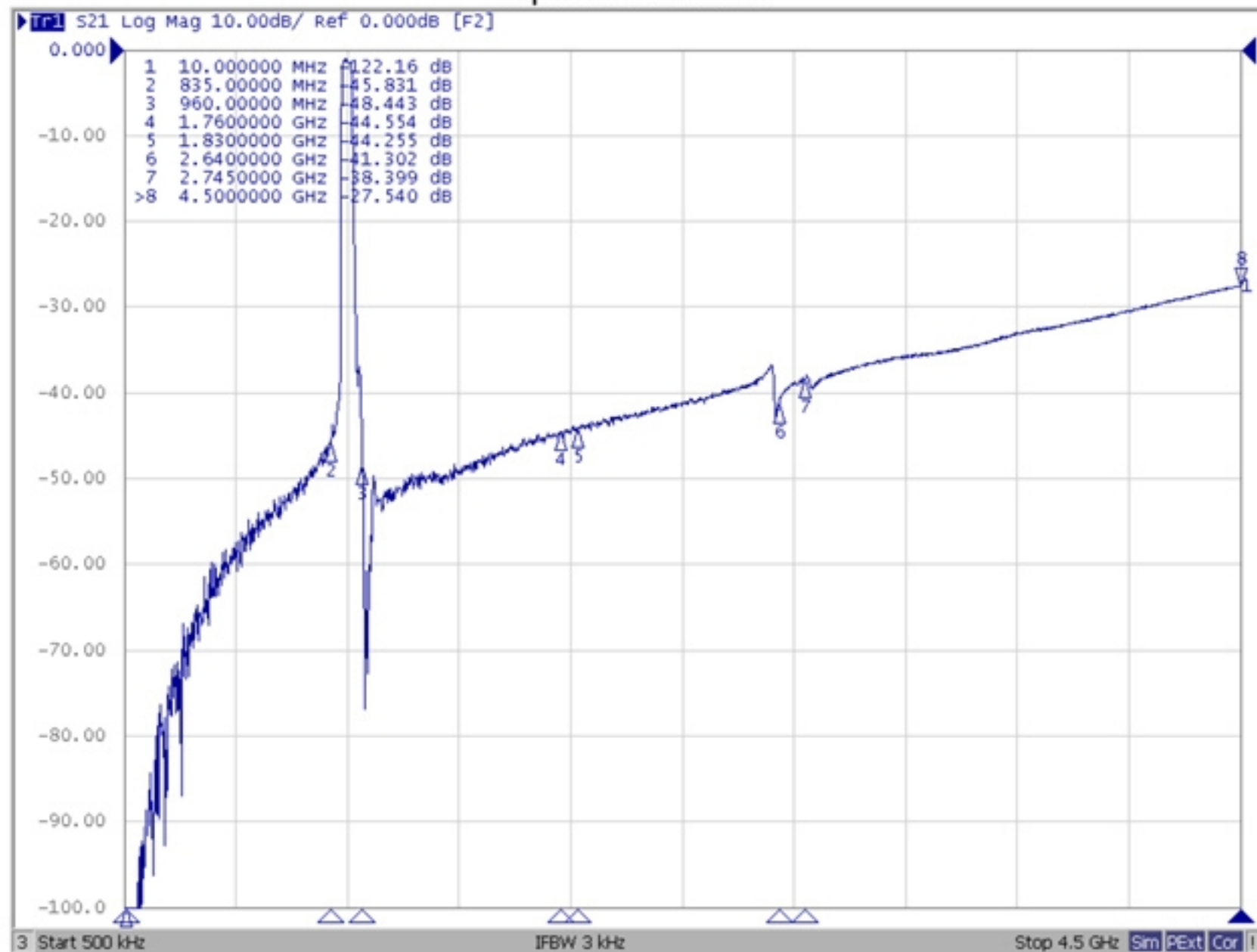
: Land Pattern
Unit : mm

F. Frequency Characteristics:

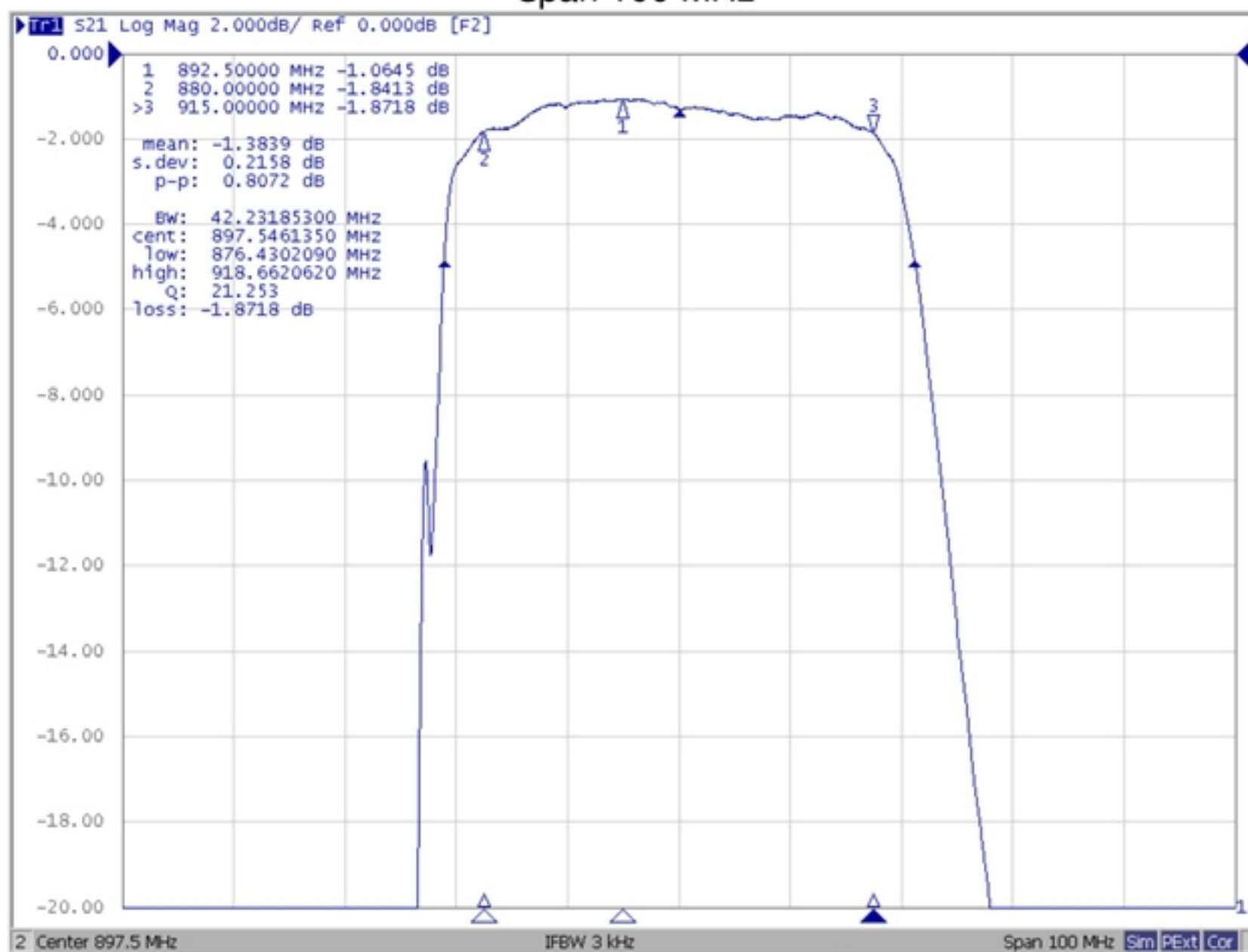
Span 800 MHz



Span 8000 MHz

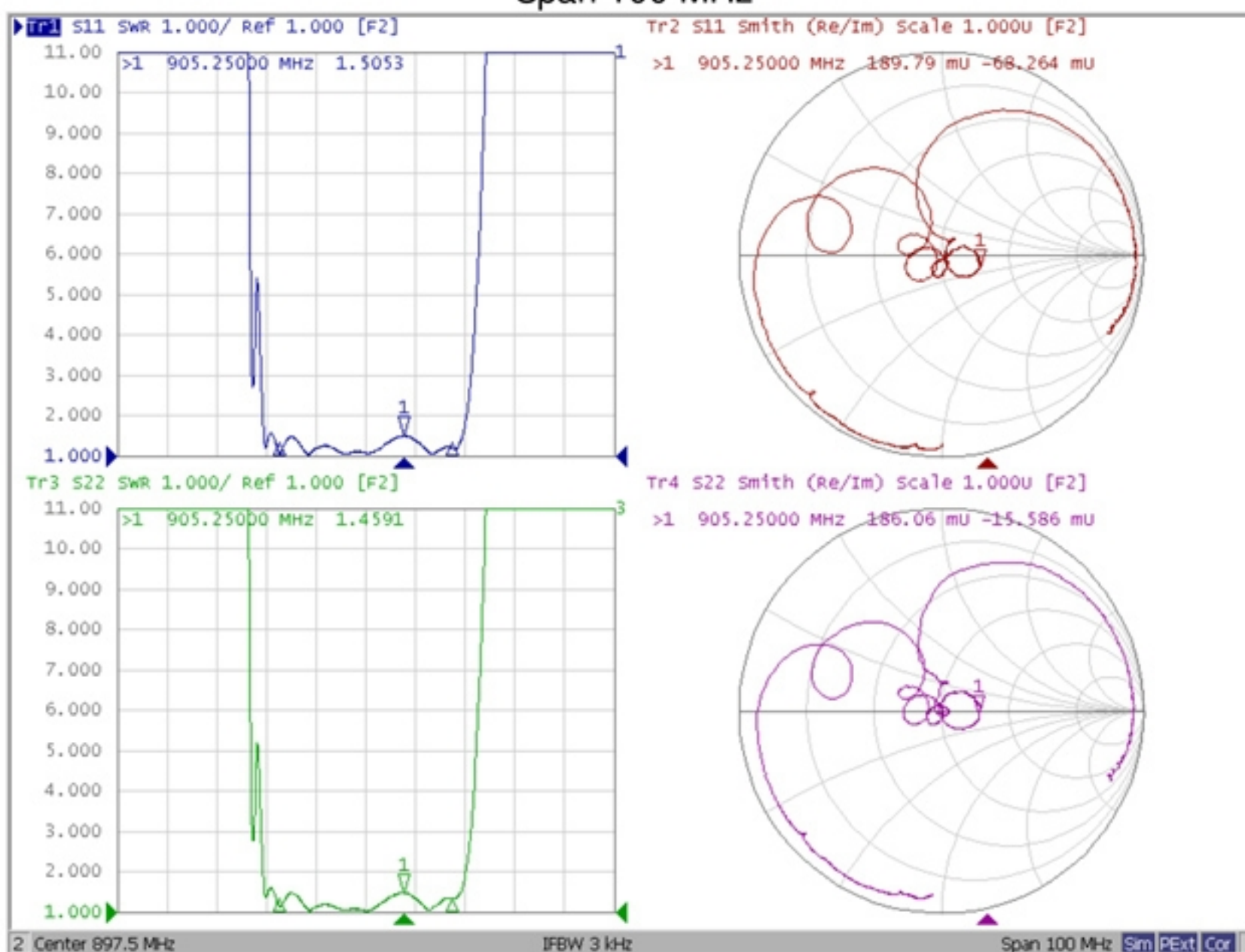


Span 100 MHz



Reflection Functions:

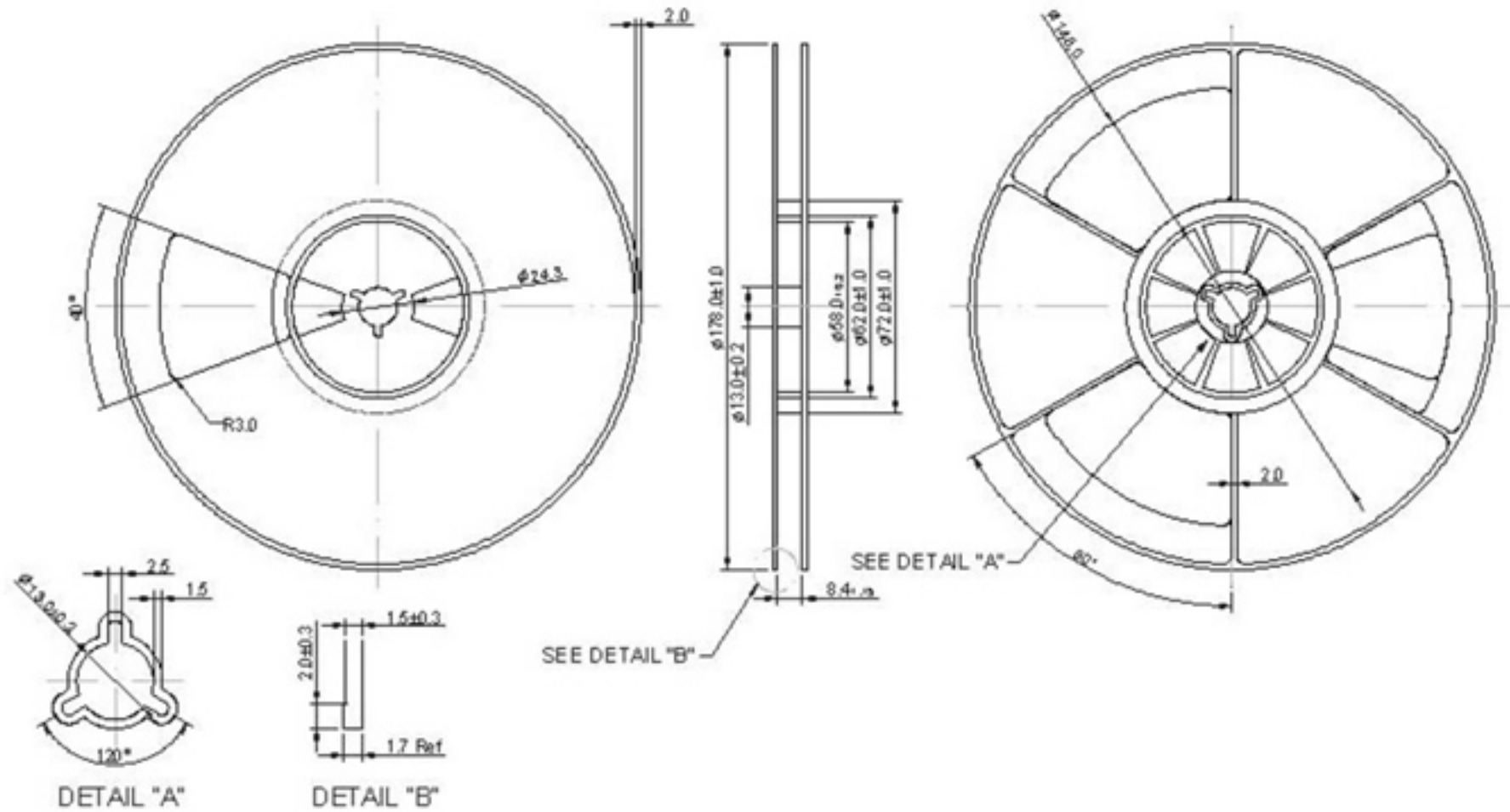
Span 100 MHz



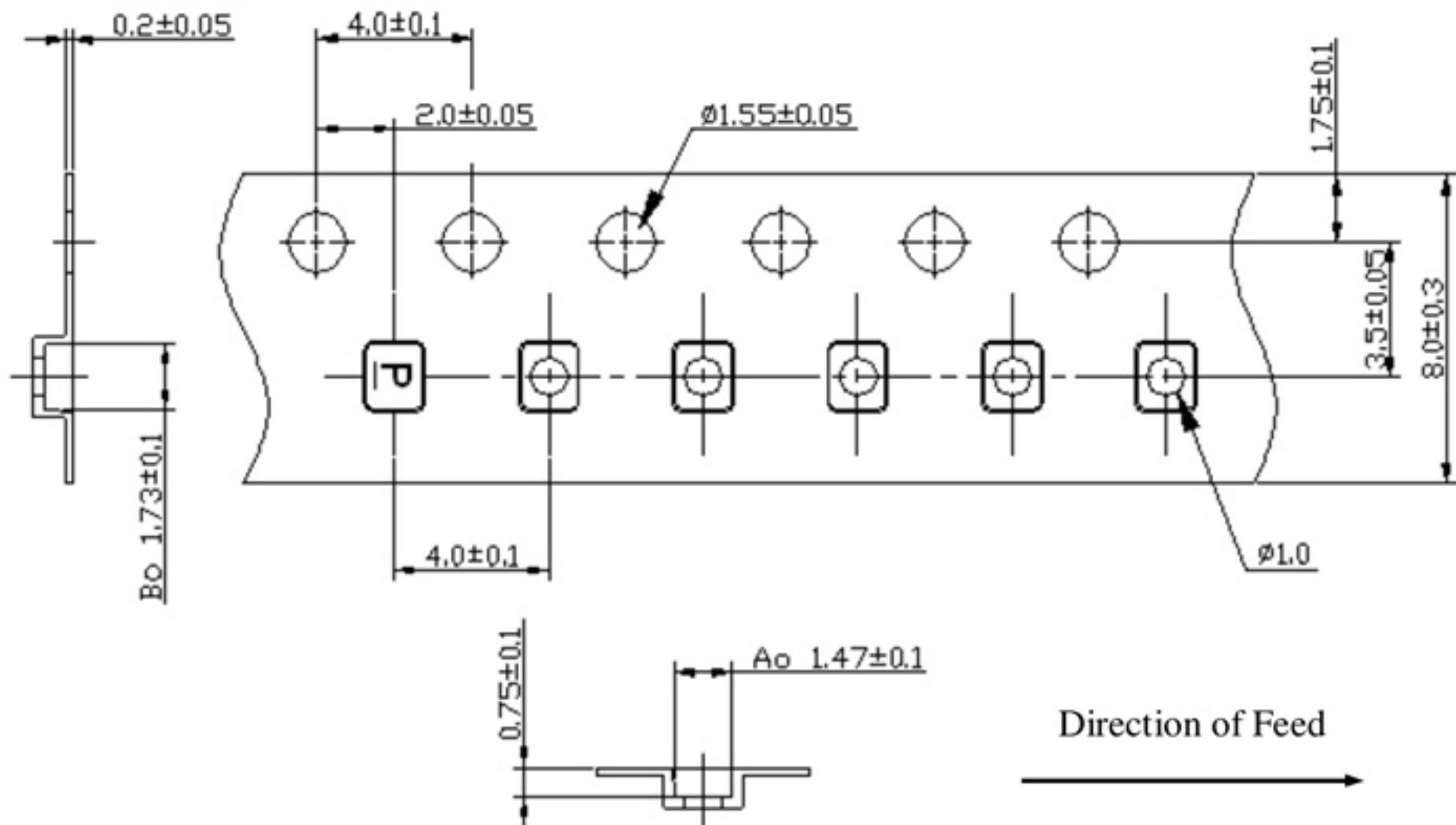
G. PACKING:

1. REEL DIMENSION

(Please refer to FR-75D10 for packing quantity)



2. TAPE DIMENSION



H. RECOMMENDED REFLOW PROFILE :

1. Preheating shall be fixed at 150~180°C for 60~90 seconds.
2. Ascending time to preheating temperature 150°C shall be 30 seconds min.
3. Heating shall be fixed at 220°C for 50~80 seconds and at 260°C +0/-5°C peak (20~40sec).
4. Time: 2 times.

