

SAW Filter 914.5 MHz

MODEL NO.: TA0380A

REV. NO.:2.0

A. MAXIMUM RATING:

1. Input Power Level: 10 dB_m
2. DC voltage: 5 V
3. Operating Temperature: -20°C to 65°C
4. Storage Temperature: -40°C to +85°C
5. Moisture Sensitivity Level: Level 1(MSL1)

RoHS Compliant
Lead free
Lead-free soldering

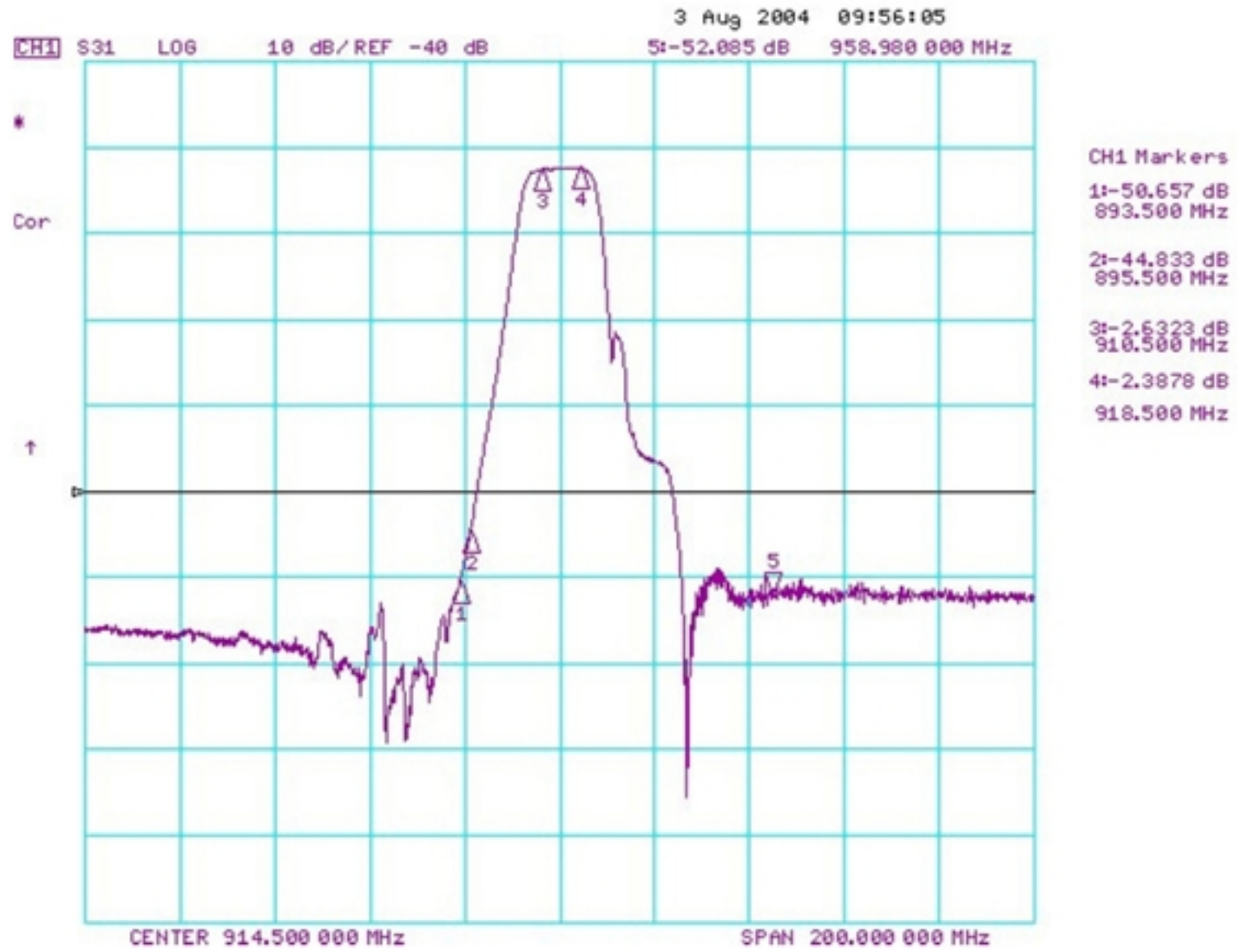
Electrostatic Sensitive Device

B. CHARACTERISTICS:

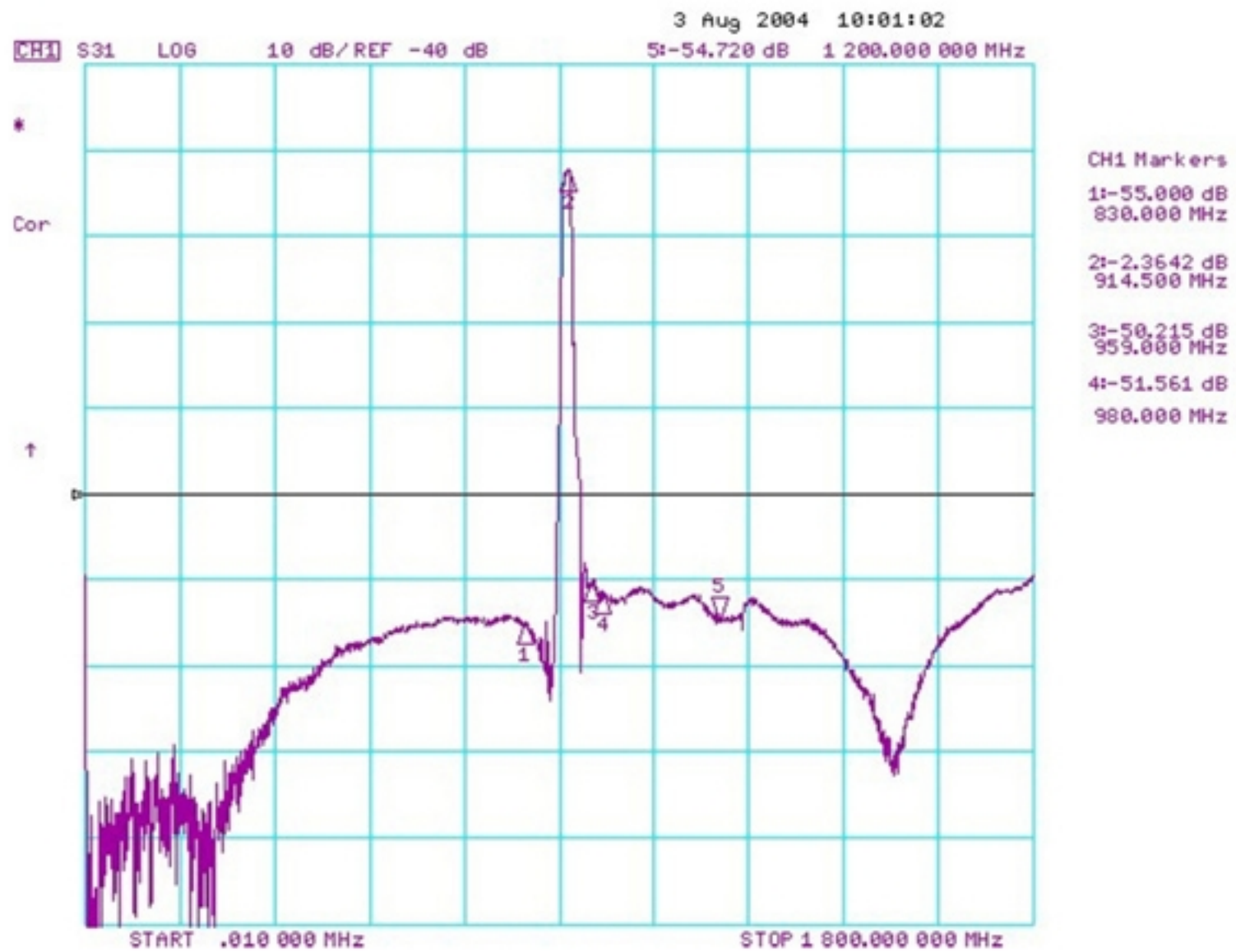
| Item | | Min. | Typ. | Max. |
|---|--|------|-------|------|
| Center frequency | Fc MHz | - | 914.5 | - |
| Insertion loss | 910.5 ~ 918.5 MHz IL _{max} (dB) | - | 2.8 | 4.0 |
| Amplitude ripple | 910.5 ~ 918.5 MHz (dB) | - | 0.5 | 2.0 |
| Attenuation (Relative to IL_{max}) | | | | |
| 10.0 ~ 830.0 MHz | (dB) | 45 | 52 | - |
| 830.0 ~ 893.5 MHz | (dB) | 36 | 46 | - |
| 893.5 ~ 895.5 MHz | (dB) | 27 | 41 | - |
| 959.0 ~ 980.0 MHz | (dB) | 32 | 46 | - |
| 980.0 ~ 1200.0 MHz | (dB) | 42 | 47 | - |
| Source impedance | Zs (Ω) | - | 50 | - |
| Load impedance | ZL (Ω) | - | 50 | - |

Note1. No matching network required for operation at 50Ω

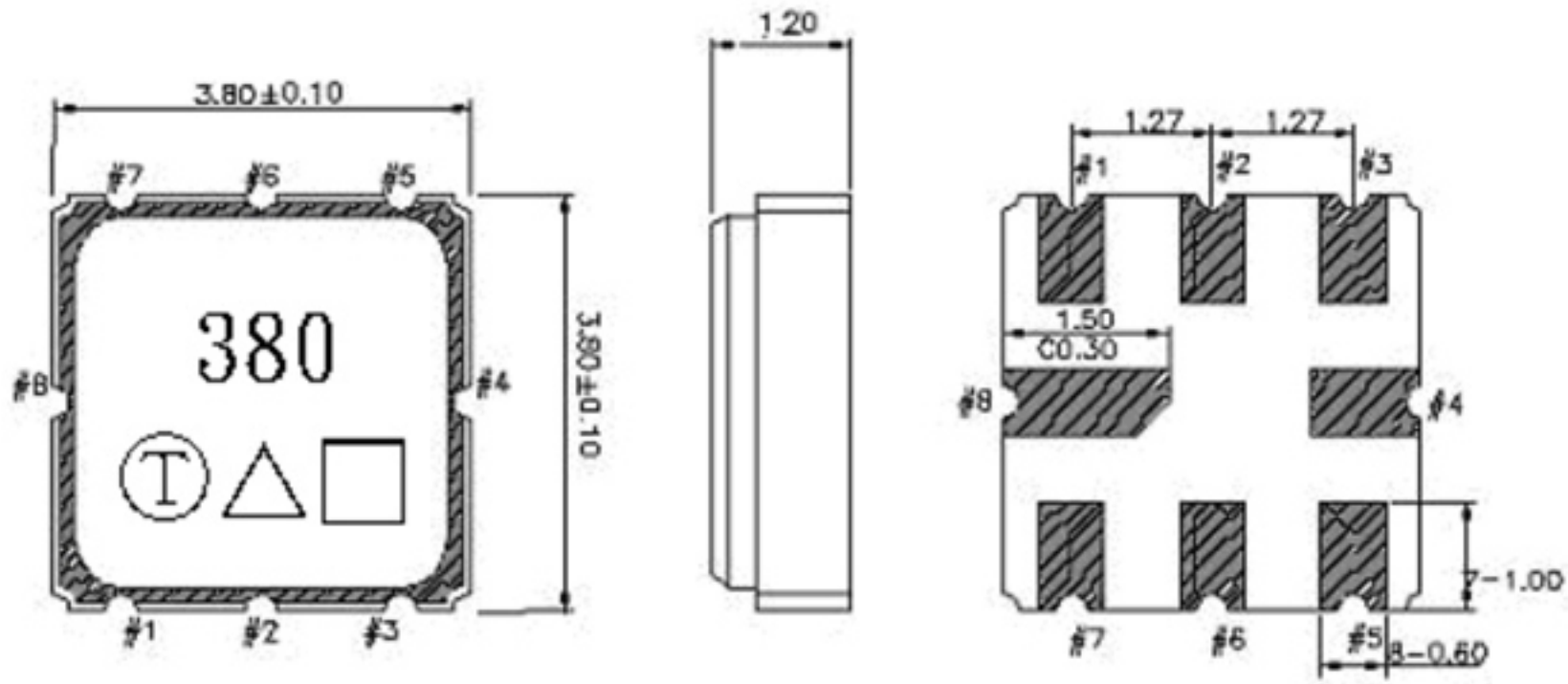
C. Transfer Function:



Wideband



D.OUTLINE DRAWING:



- #2 : Input
- #6 : Output
- #1, 3, 4, 5, 7, 8 : Ground
- △ : Year code
- : Date code
- Unit : mm

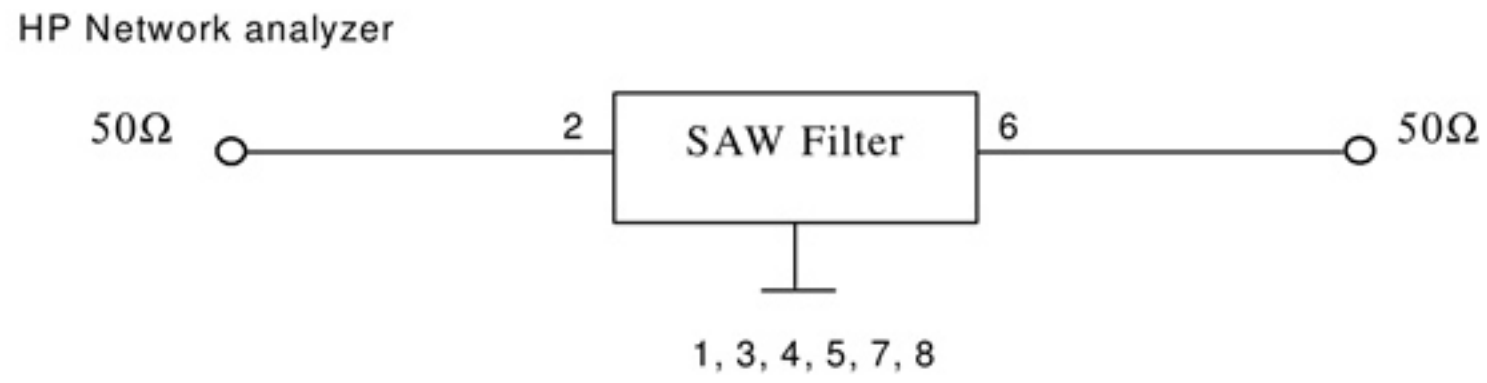
Product / Year Code

| | | |
|--------------|------|------|
| Year | 2019 | 2020 |
| | 2021 | 2022 |
| Product Code | A | a |

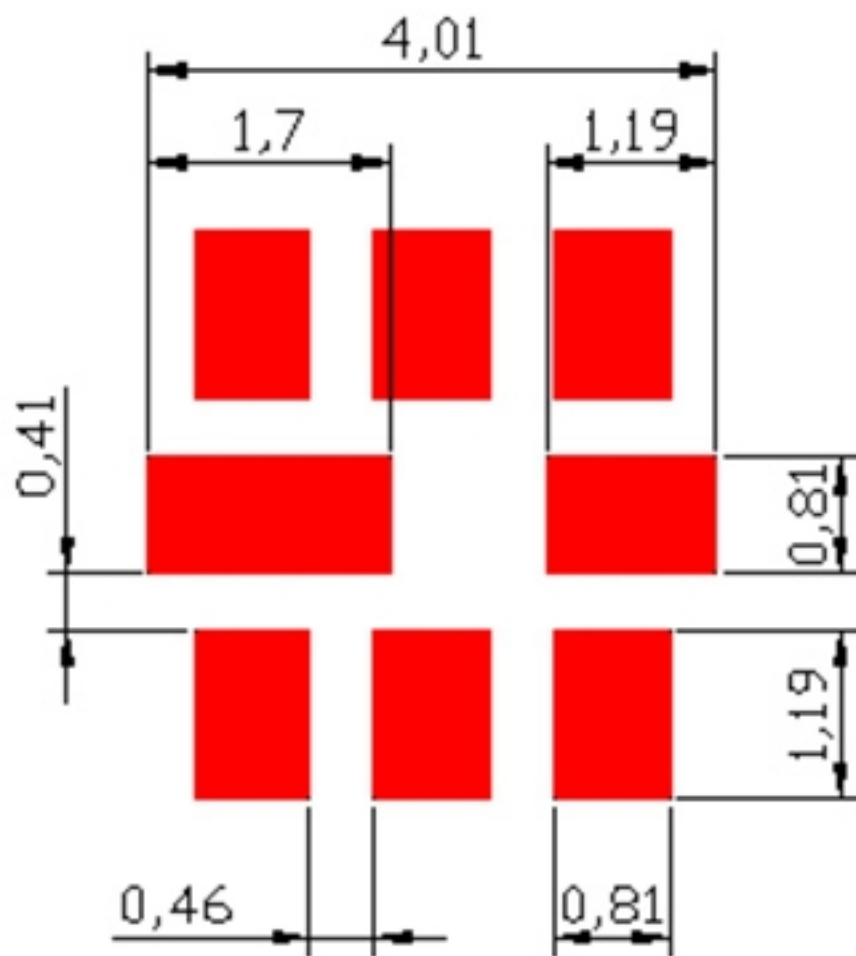
Week Code Table

| | | | | | | | | | | | | |
|------|------|------|------|------|------|------|------|------|------|------|------|------|
| WK01 | WK02 | WK03 | WK04 | WK05 | WK06 | WK07 | WK08 | WK09 | WK10 | WK11 | WK12 | WK13 |
| A | B | C | D | E | F | G | H | I | J | K | L | M |
| WK14 | WK15 | WK16 | WK17 | WK18 | WK19 | WK20 | WK21 | WK22 | WK23 | WK24 | WK25 | WK26 |
| N | O | P | Q | R | S | T | U | V | W | X | Y | Z |
| WK27 | WK28 | WK29 | WK30 | WK31 | WK32 | WK33 | WK34 | WK35 | WK36 | WK37 | WK38 | WK39 |
| a | b | c | d | e | f | g | h | i | j | k | l | m |
| WK40 | WK41 | WK42 | WK43 | WK44 | WK45 | WK46 | WK47 | WK48 | WK49 | WK50 | WK51 | WK52 |
| n | o | p | q | r | s | t | u | v | w | x | y | z |

E. MEASUREMENT CIRCUIT:



F. PCB FOOTPRINT:



H. RECOMMENDED REFLOW PROFILE:

1. Preheating shall be fixed at $150\sim 180^{\circ}\text{C}$ for $60\sim 90$ seconds.
2. Ascending time to preheating temperature 150°C shall be 30 seconds min.
3. Heating shall be fixed at 220°C for $50\sim 80$ seconds and at $260^{\circ}\text{C} +0/-5^{\circ}\text{C}$ peak ($20\sim 40\text{sec}$).
4. Time: 2 times.

