

# LTCC Filter 915 MHz SMD 2.0X1.25 mm (26 MHz BW)

MODEL NO.:TL0034A

REV.1

## A. MAXIMUM RATING:

1. Operating temperature range: -40 °C to +85 °C
2. Storage temperature range: -40 °C to +85 °C
3. Moisture Sensitive Level: Level 1 (MSL1)

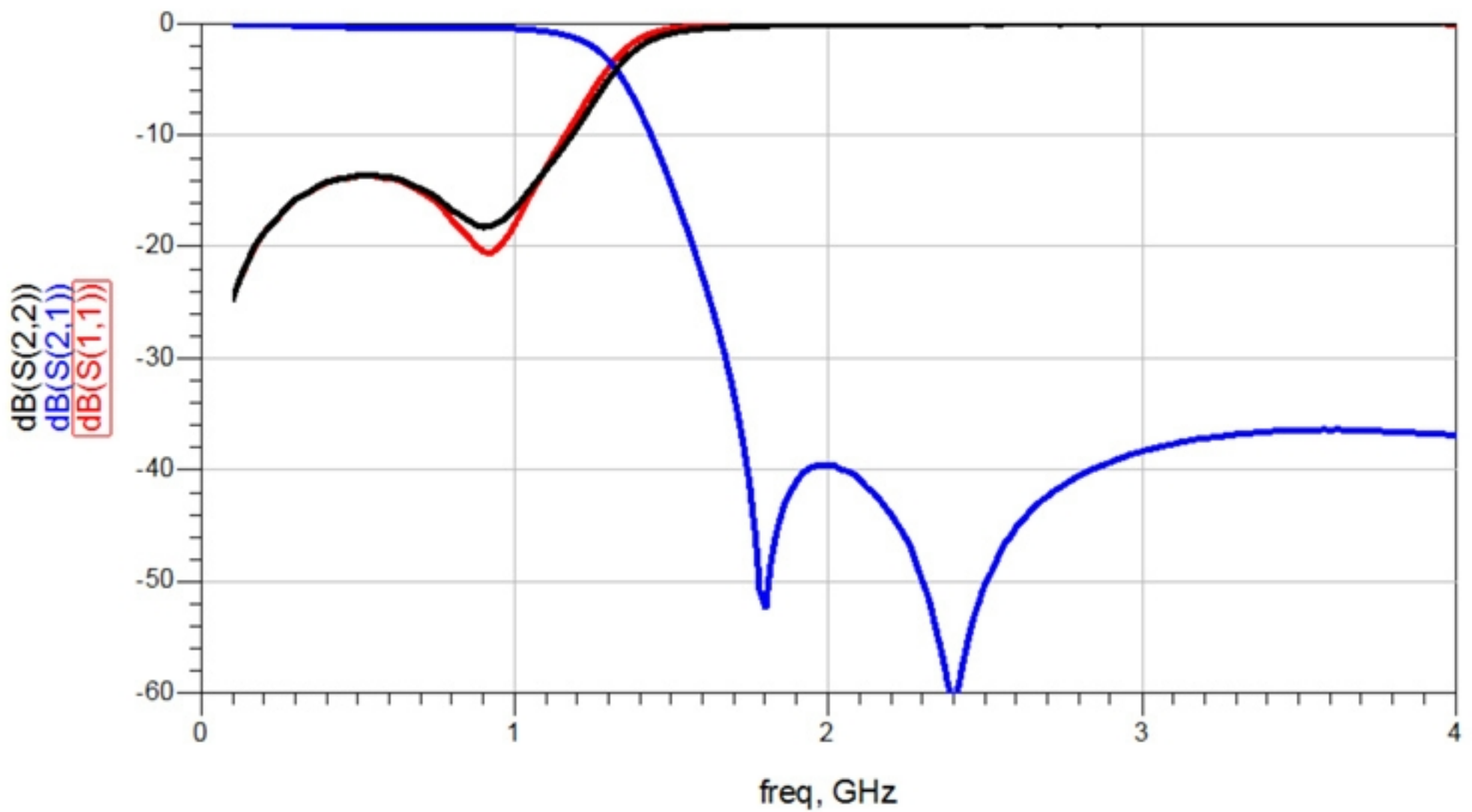
RoHS Compliant  
Lead free  
Lead-free soldering

Electrostatic Sensitive Device (**ESD**)

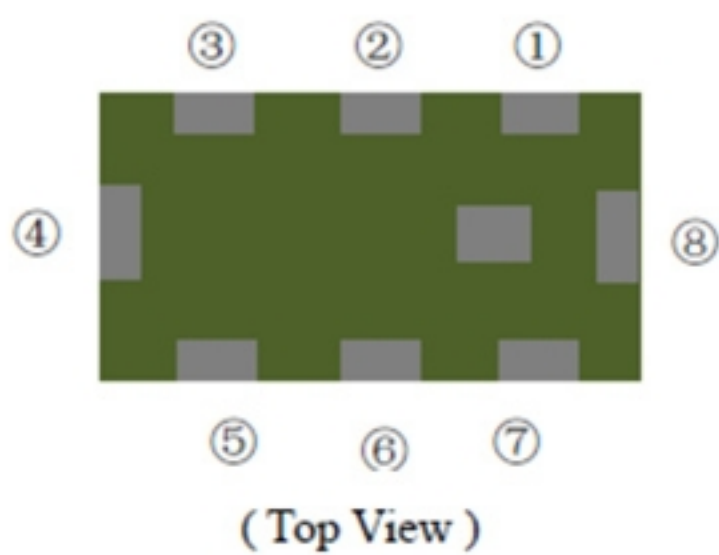
## B. ELECTRICAL CHARACTERISTICS:

NO.	Item	Specifications
1.	Center Frequency	915MHz
2.	Insertion Loss ( 0 ~ 500MHz )	$\leq 0.5\text{dB}$
3.	Band Width	902 ~ 928 MHz
4.	Return Loss ( in BW )	$\geq 14\text{dB}$
5.	Attenuation	$\geq 30\text{dB @ } 1830\text{MHz}$ $\geq 30\text{dB @ } 2745\text{MHz}$
6.	Permissible Input Power	0.5W
7.	In/Output Impedance	50 $\Omega$

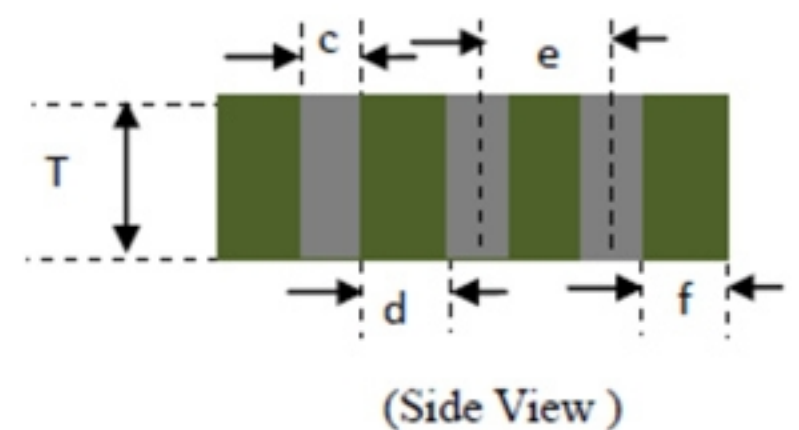
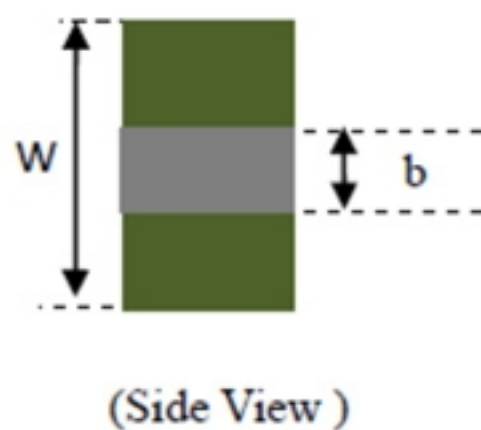
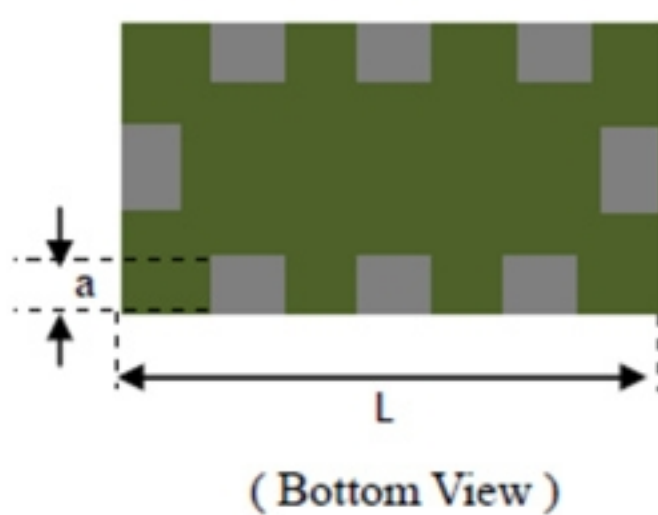
**C. FREQUENCY CHARACTERISTICS:**



**D. OUTLINE DRAWING:**



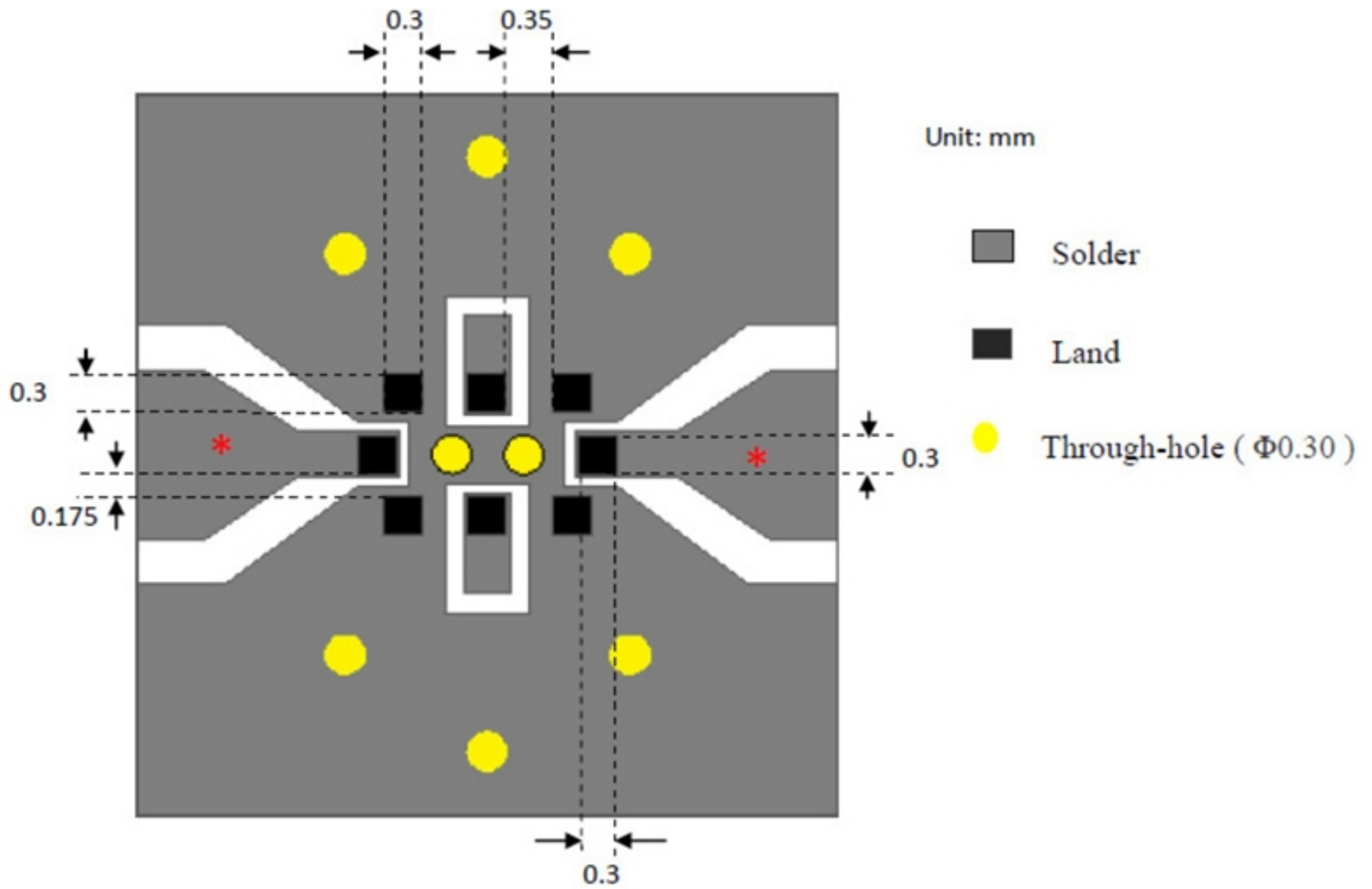
Number	Terminal Name	Number	Terminal Name
①	GND	⑤	GND
②	NC	⑥	NC
③	GND	⑦	GND
④	OUTPUT	⑧	INPUT



(Unit: mm)

Symbols	L	W	T	a	b	c	d	e	f
Dimensions	2.0+/- 0.2	1.25+/- 0.2	0.95+/- 0.1	0.3+/- 0.15	0.3+/- 0.15	0.3+/- 0.15	0.35+/- 0.15	0.65+/- 0.15	0.20+/- 0.15

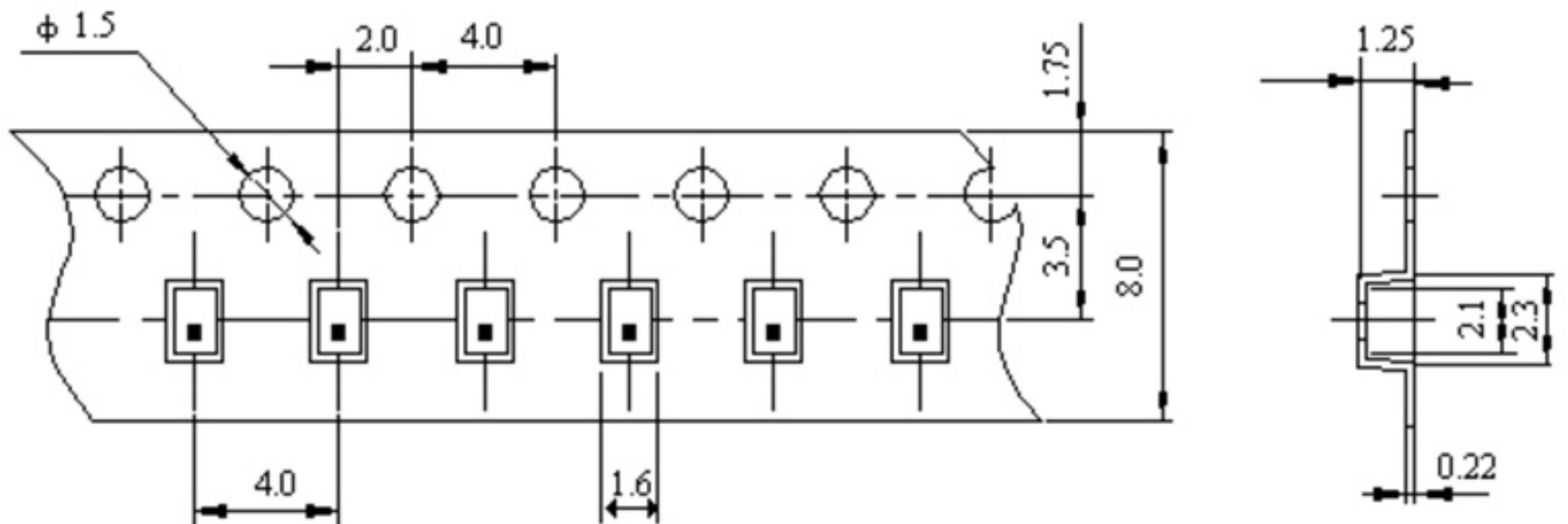
**E. PCB FOOT PRINT:**



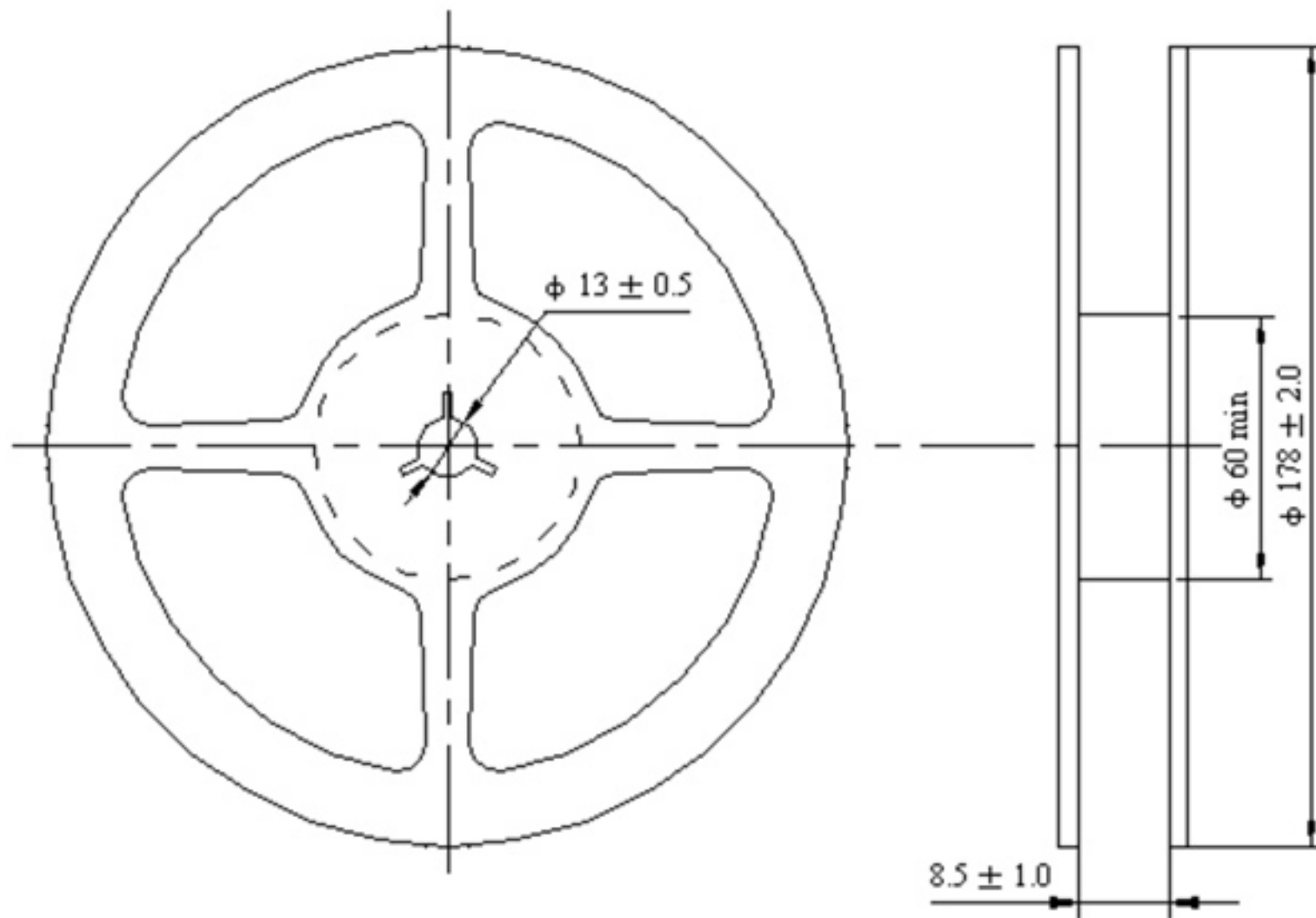
\*Line width should be designed to match 50 $\Omega$  characteristic impedance, depending on PCB material and thickness.

**F. PACKING:**

1. TAPE DIMENSION



## 2. REEL DIMENSION (4000pcs/Reel)



### G. RECOMMENDED REFLOW PROFILE:

1. Preheating shall be fixed at  $150 \sim 180^{\circ}\text{C}$  for 60~90 seconds.
2. Ascending time to preheating temperature  $150^{\circ}\text{C}$  shall be 30 seconds min.
3. Heating shall be fixed at  $220^{\circ}\text{C}$  for 50~80 seconds and at  $260^{\circ}\text{C} +0/-5^{\circ}\text{C}$  peak (20~40sec).
4. Time: 2 times.

