

Patch Antenna with PCB 915MHz

MODEL NO.: TQ0001A

REV. NO.1

A. MAXIMUM RATING:

1. Operating temperature range: -40 °C to 105 °C
2. Storage temperature range: -40 °C to 105 °C
3. Moisture Sensitivity Level: Level 1(MSL1)

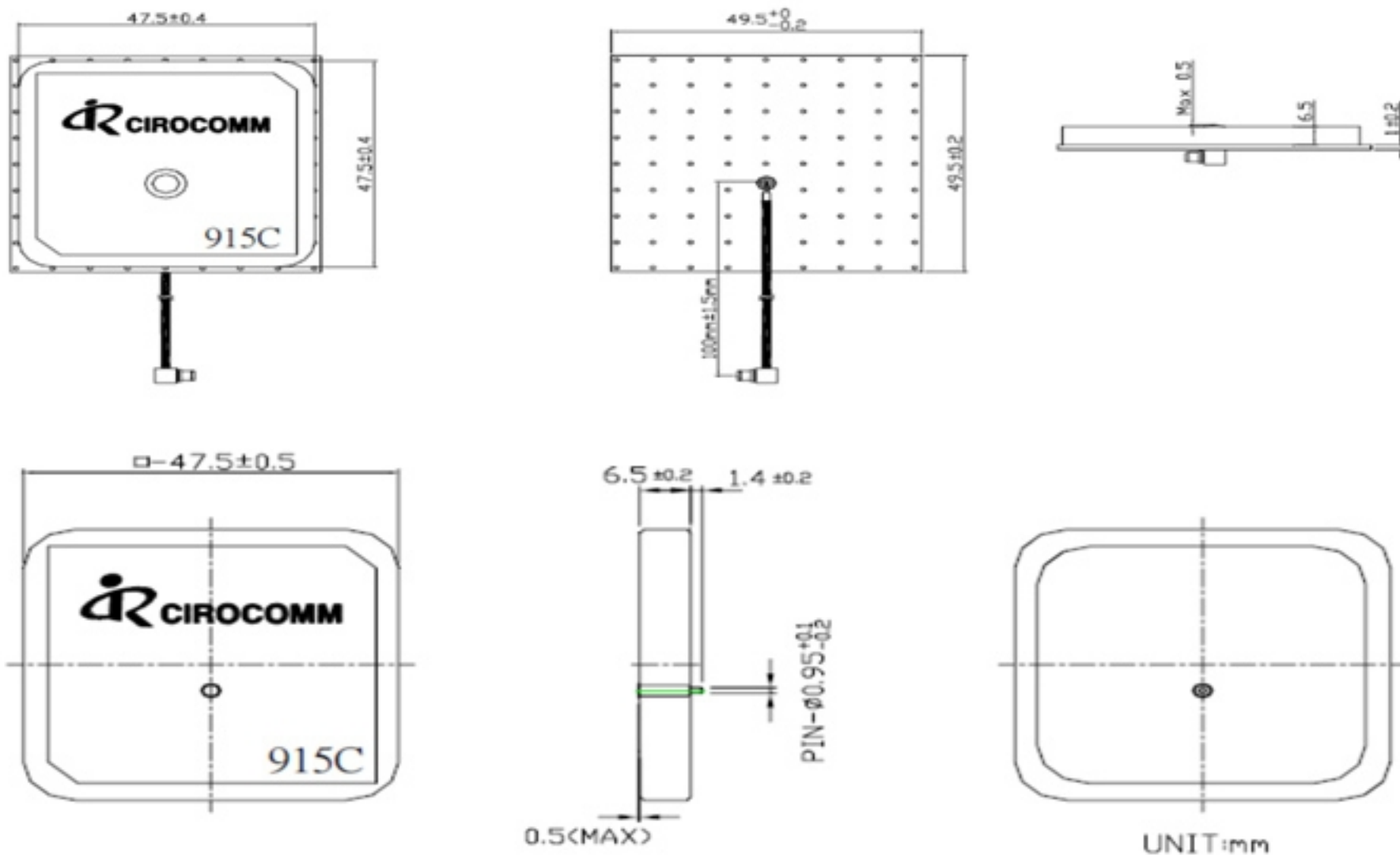


Electrostatic Sensitive Device

B. CHARACTERISTICS:

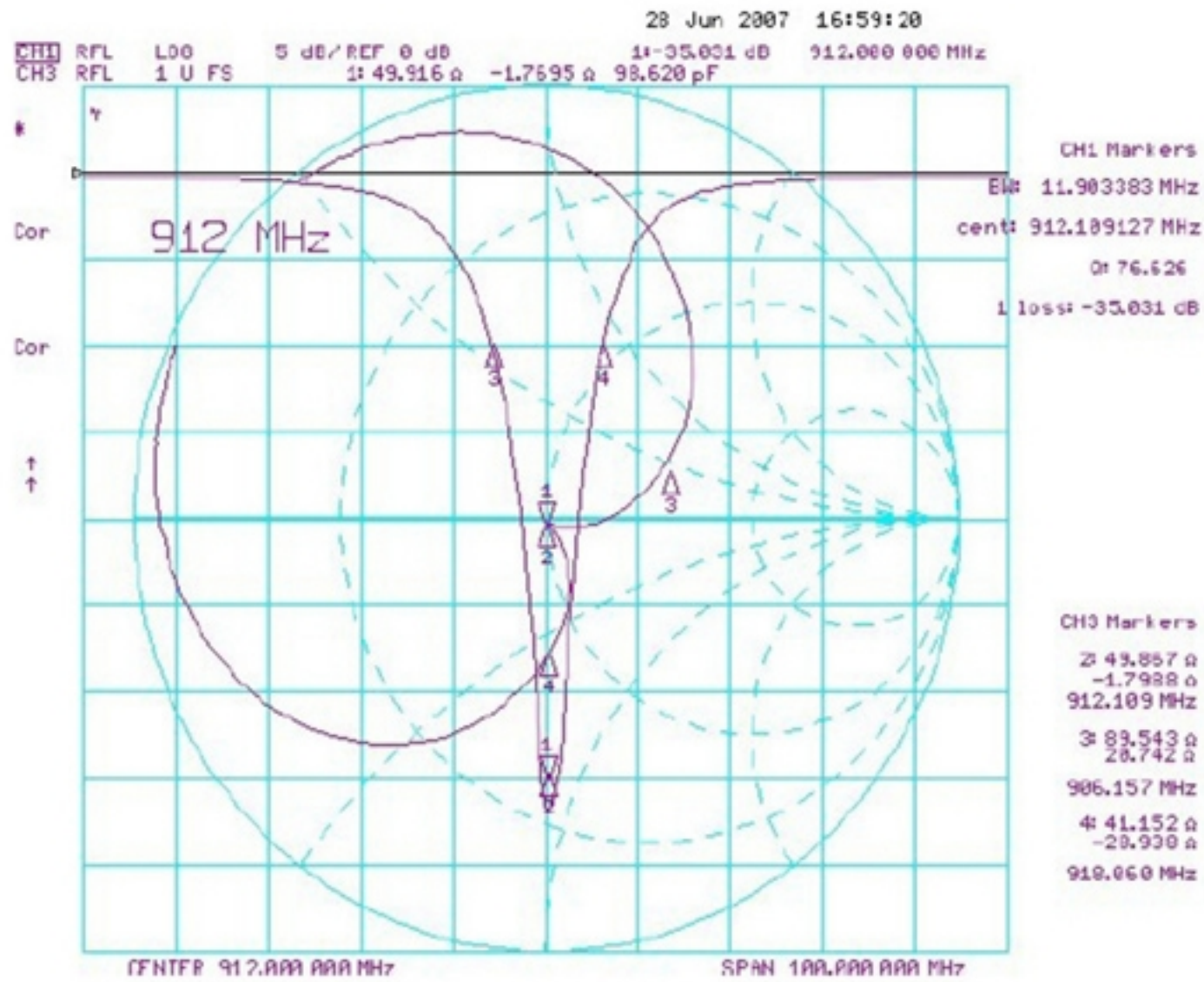
| Parameter | Unit | Typ. |
|---------------------------------------|--------|--|
| Center Frequency (Without PCB) | MHz | 912MHz ± 3MHz |
| Center Frequency (With PCB) | MHz | 914MHz ± 3MHz |
| Bandwidth | MHz | 10MHz min |
| VSWR | dB | 2.0 Max |
| Polarization | | RHCP |
| impedance | Ohm | 50 |
| Frequency Temperature Coefficient(TF) | ppm/°C | 20 |
| Dimension | mm | Patch Antenna : 47.5X47.5X6.5mm PCB: 49.5X49.5mm |

C. OUTLINE DRAWING:

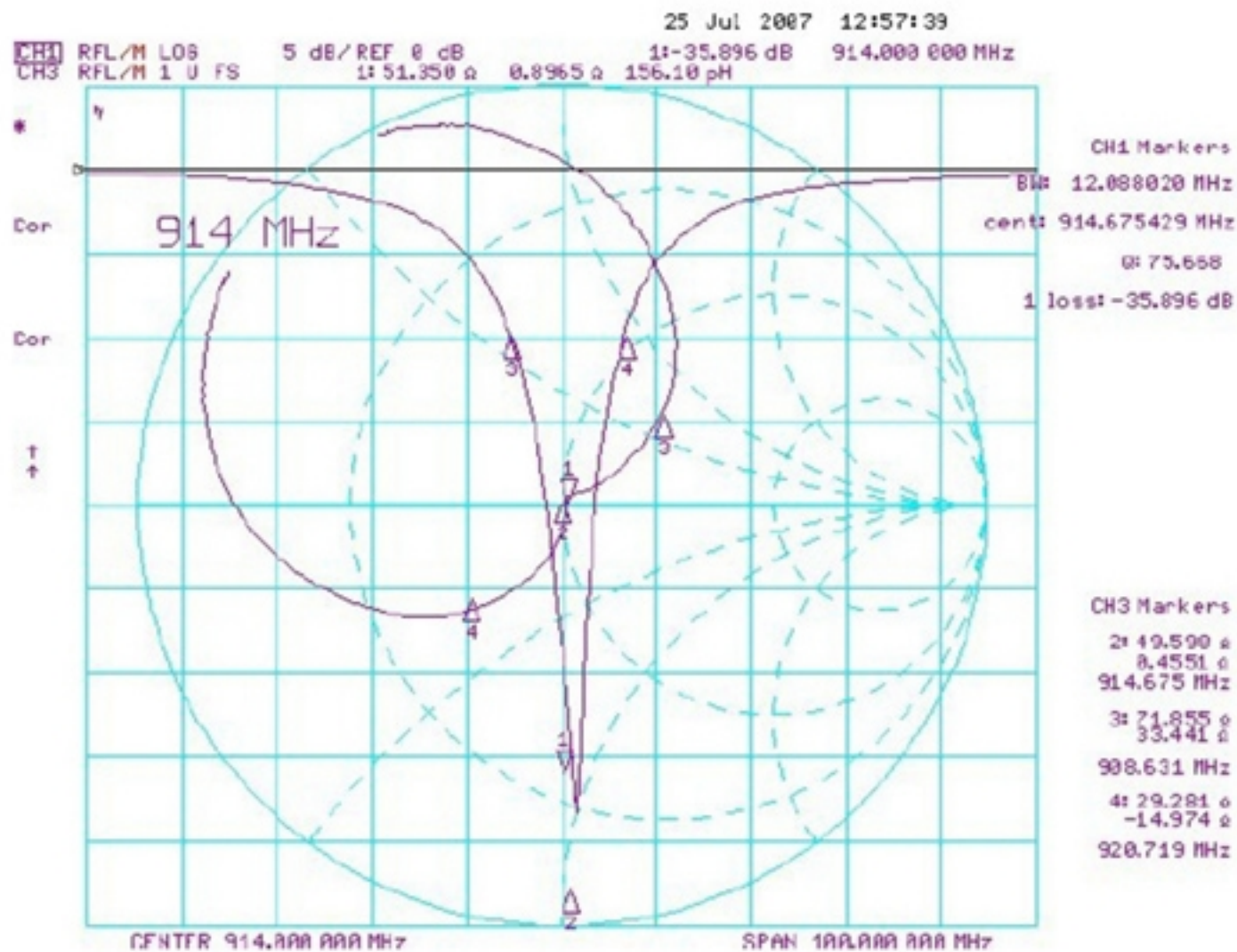


D. FREQUENCY CHARACTERISTICS :

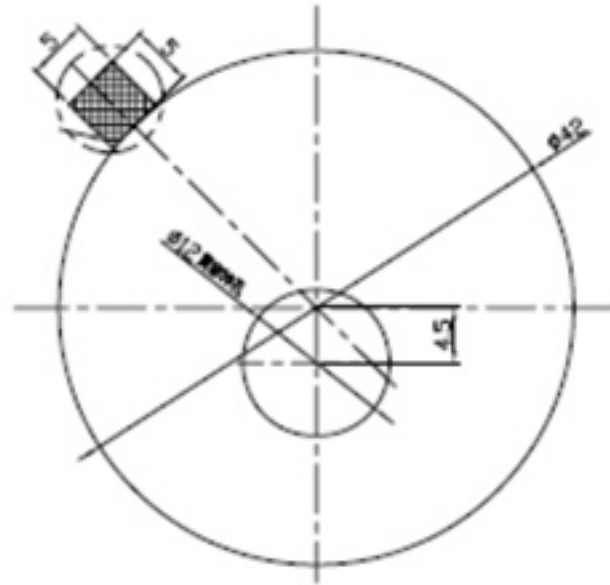
S11 Return Loss Measurement in free space



S11 Return Loss With PCB Board On GND Plane



E. TAPE DIMENSION:

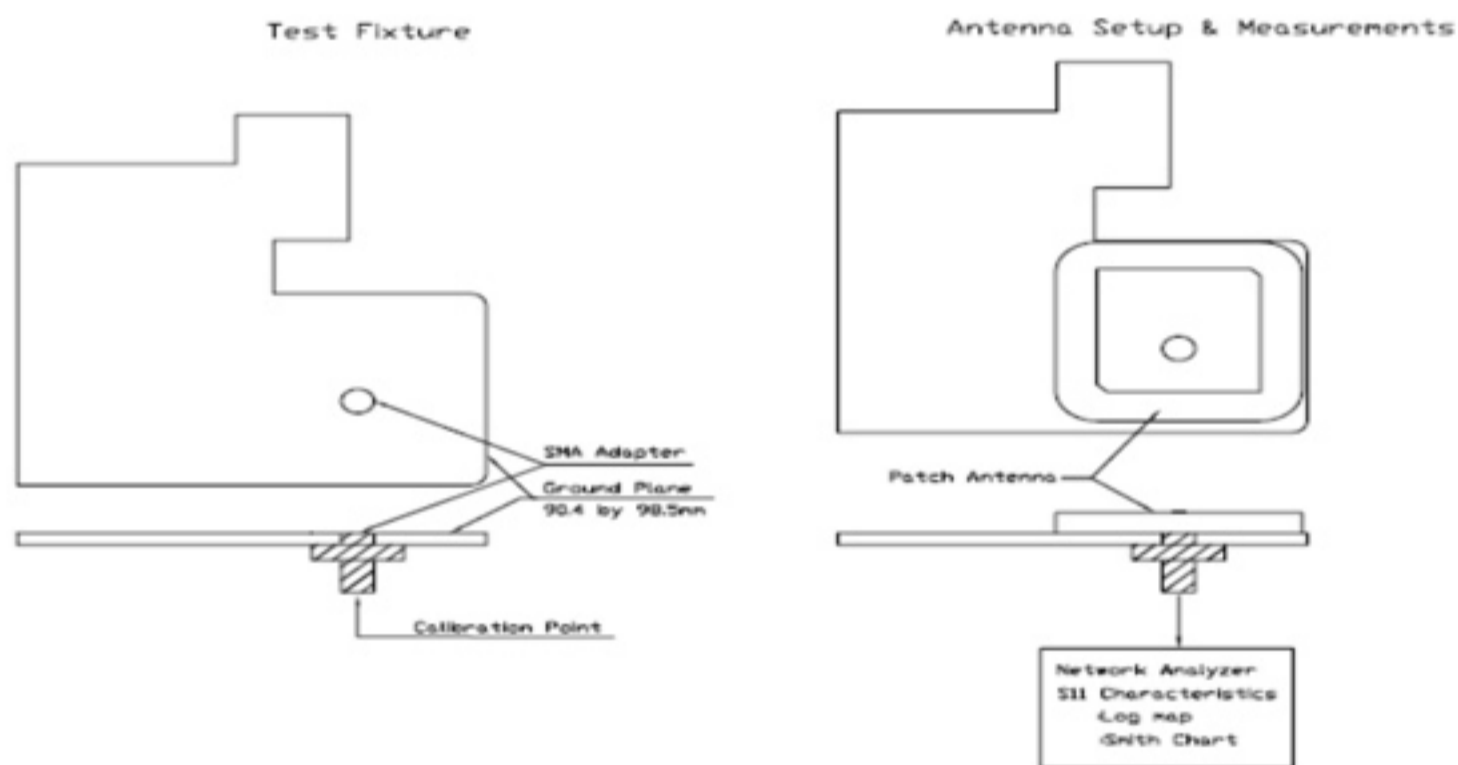
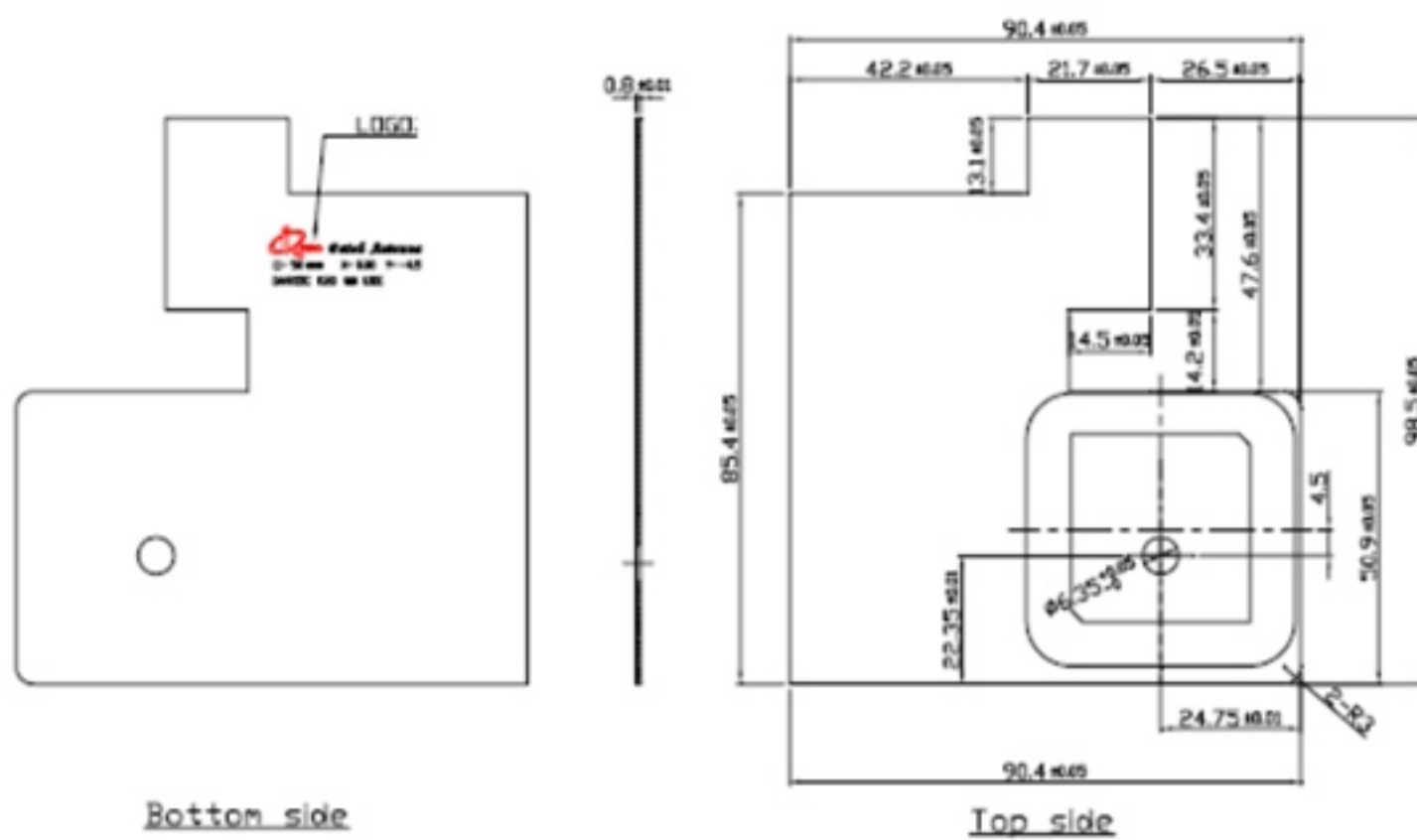


- 1.NITTO : NO.5015
- 2.Double-coated adhesive tape for industrial use
- 3.Thickness : 0.12mm
- 4. ±0.2

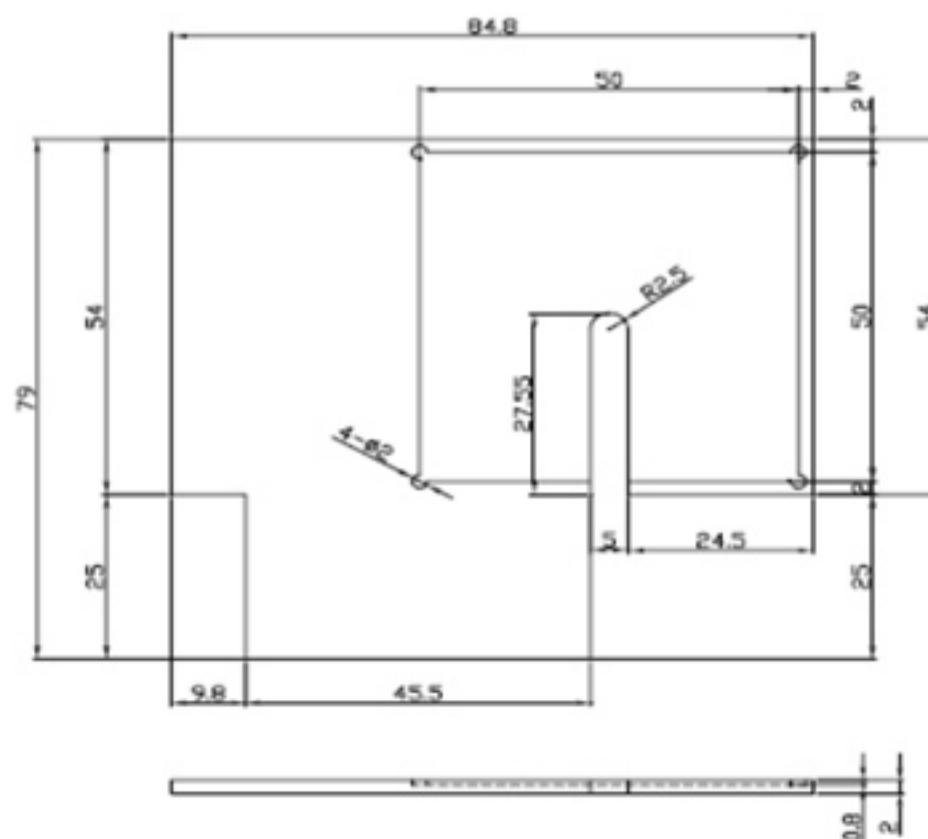
F. MARK:



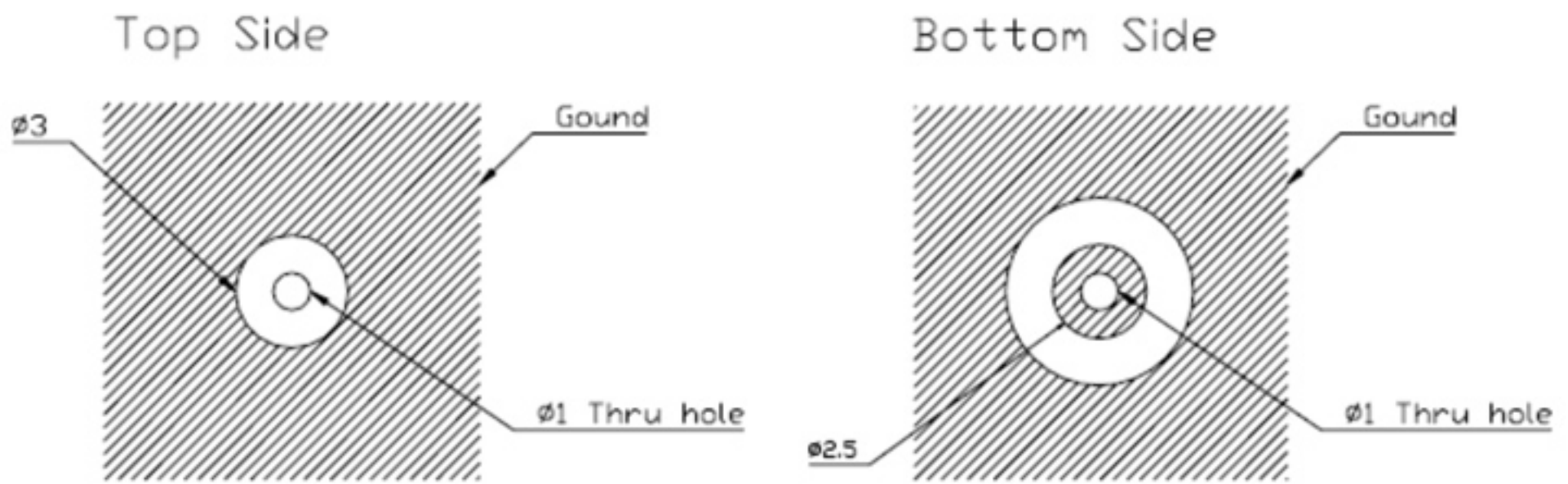
G. TEST FIXTURE:



(With PCB)

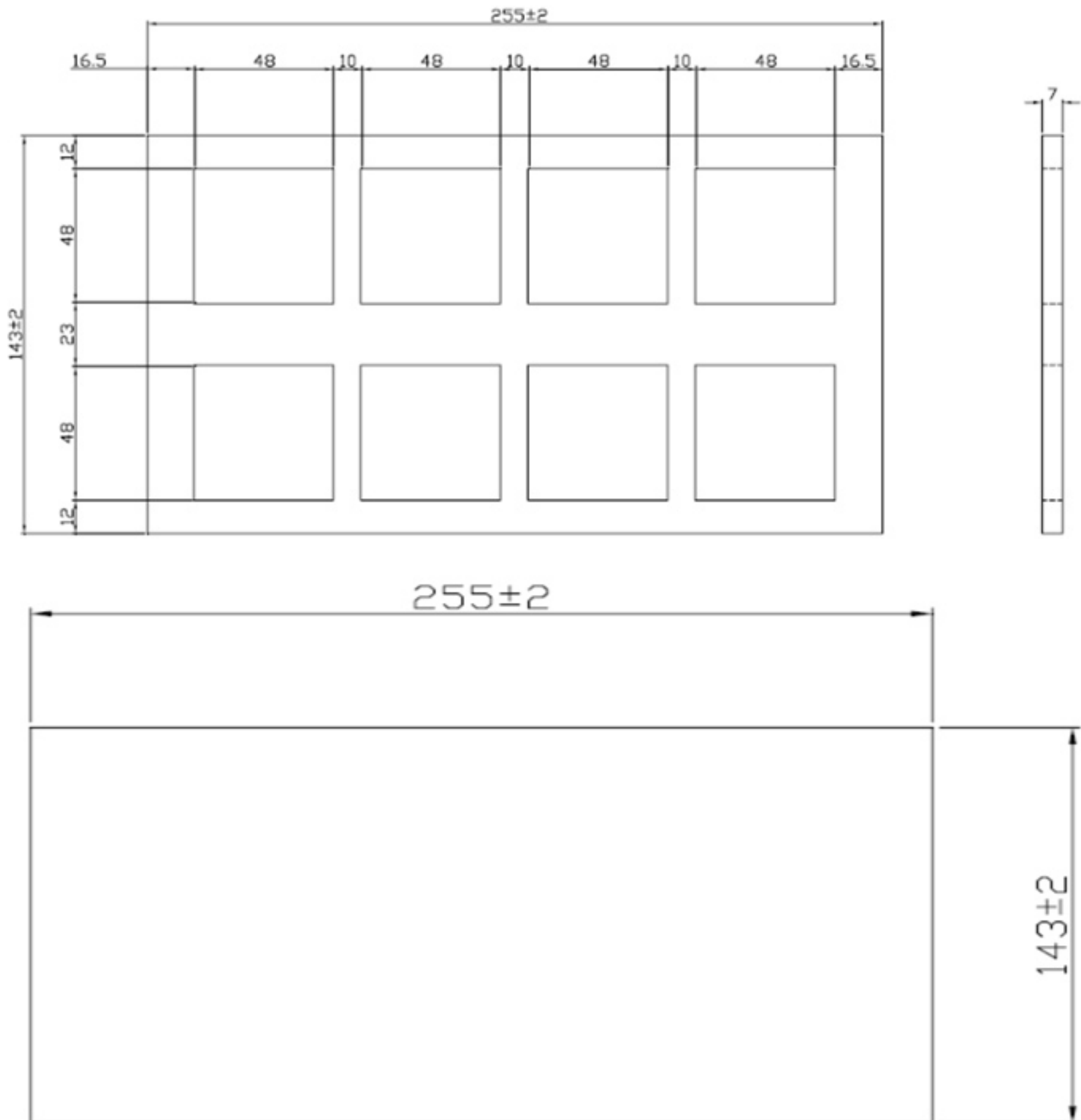


H. LAYOUT DIMENSION:



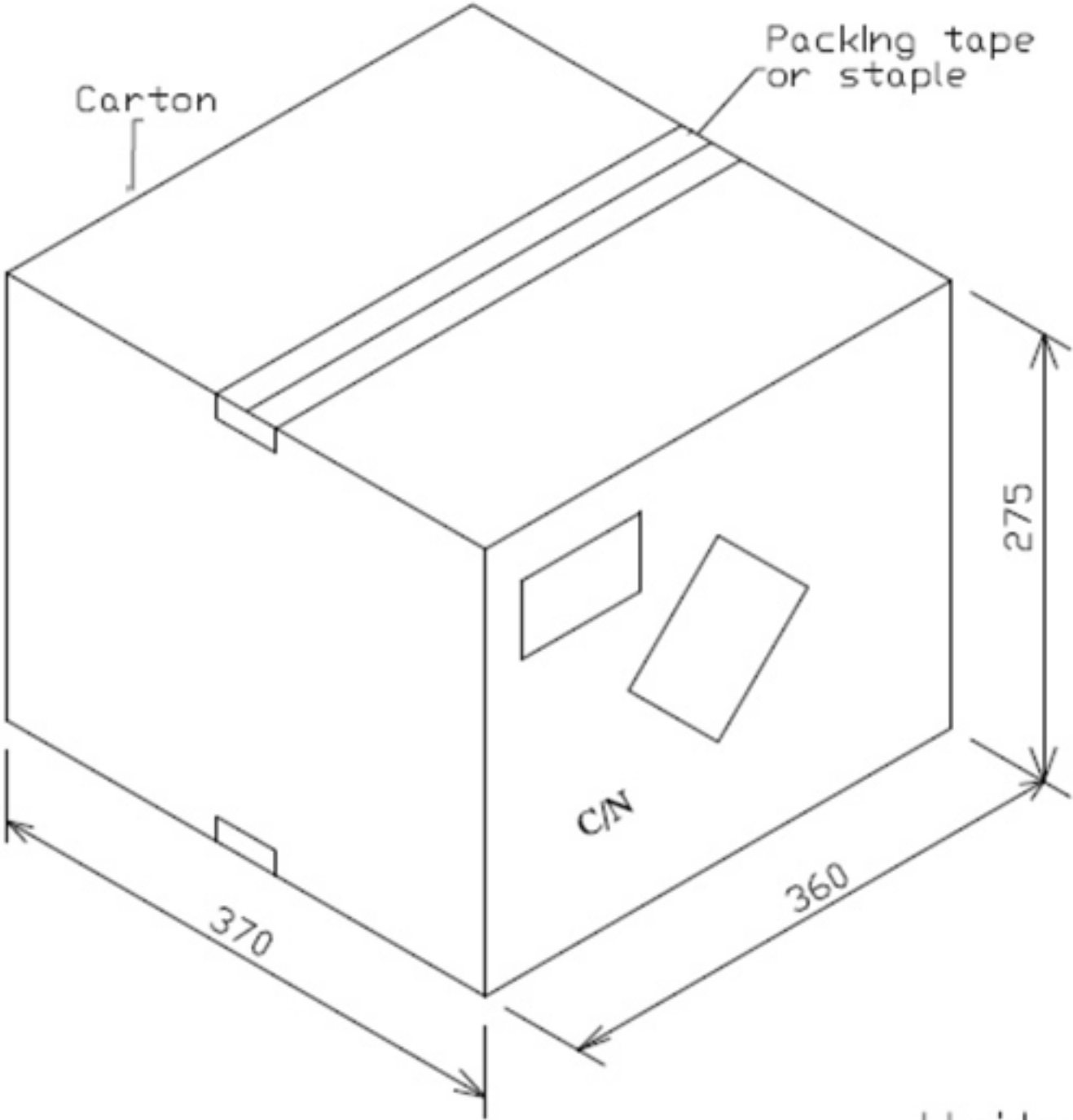
TOL: ± 0.20
UNIT: mm

I. DA PACKAGE DISASSEMBLY:



J. PACKING

Outer Carton



Unit:mm