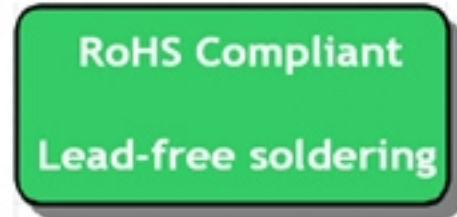


A. MAXIMUM RATING:

1. Operating temperature range: -30 °C to 85 °C
2. Storage temperature range: -40 °C to 85 °C
3. Input Power Level : 20 dBm
4. Maximum DC Voltage : 10V
5. Moisture Sensitivity Level: Level 1(MSL1)

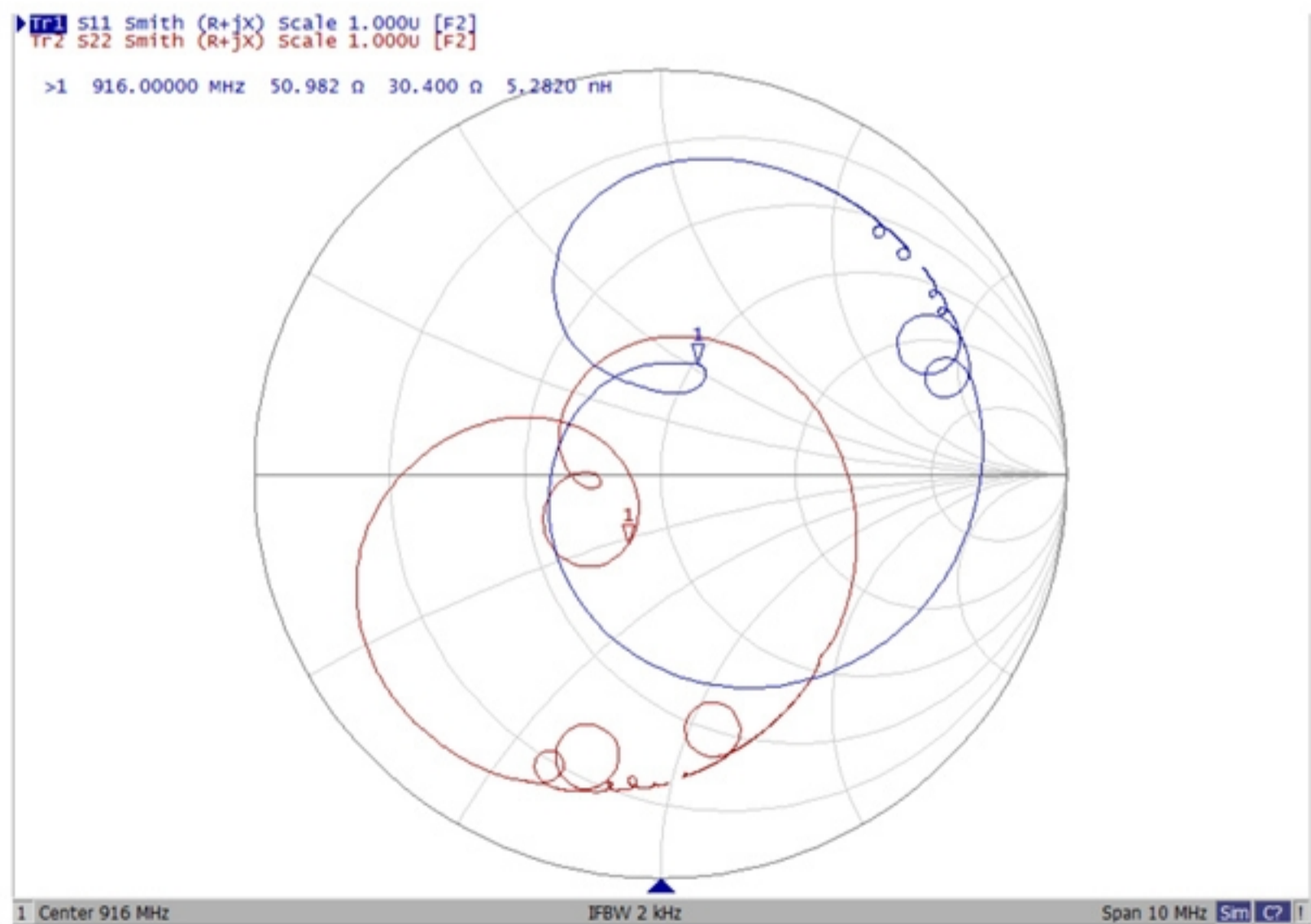
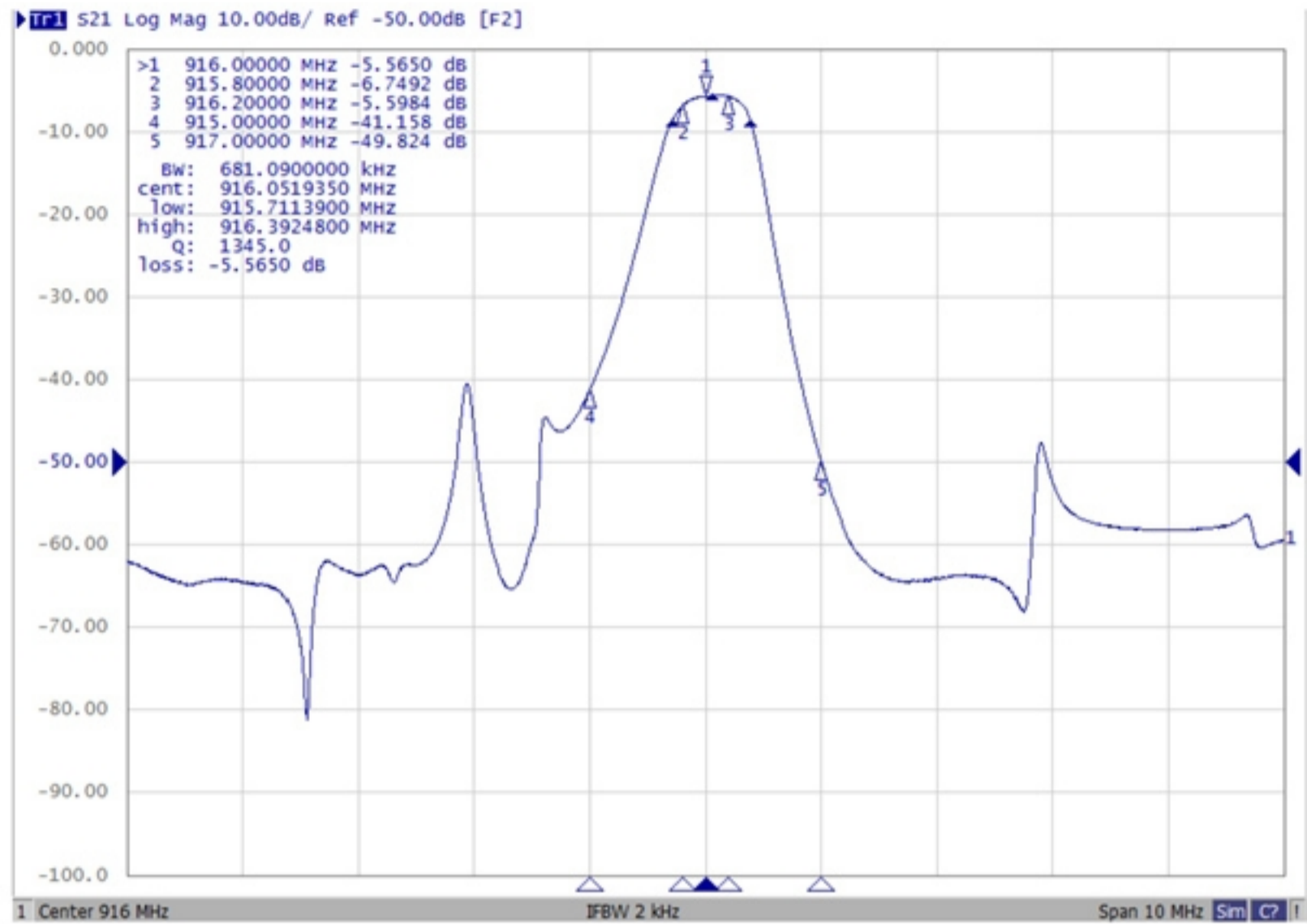


Electrostatic Sensitive Device

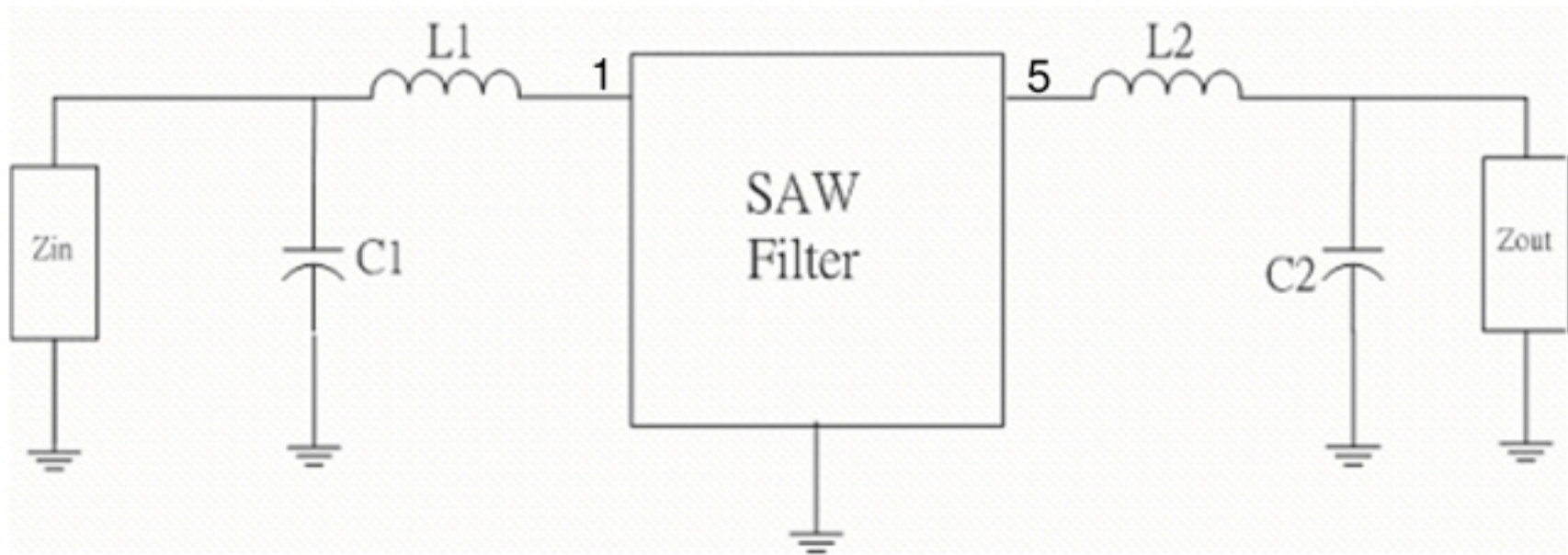
B. ELECTRICAL CHARACTERISTICS:

Item	Unit	Min.	Type.	Max.
Center frequency, F_c	MHz	-	916	-
Insertion Loss, IL	dB	-	5.5	8.0
-3dB bandwidth	MHz	0.65	0.68	-
Passband Ripple F_c±0.2MHz	dB	-	1.0	3.0
Attenuation:(Reference level from Min IL)				
915MHz	dB	20	35	
917MHz	dB	20	45	
Temperature Coefficient	ppm/°C ²	-	-0.036	-
Source Impedance	Ohm	-	50	-
Load Impedance	Ohm	-	50	-

C. FREQUENCY CHARACTERISTICS:

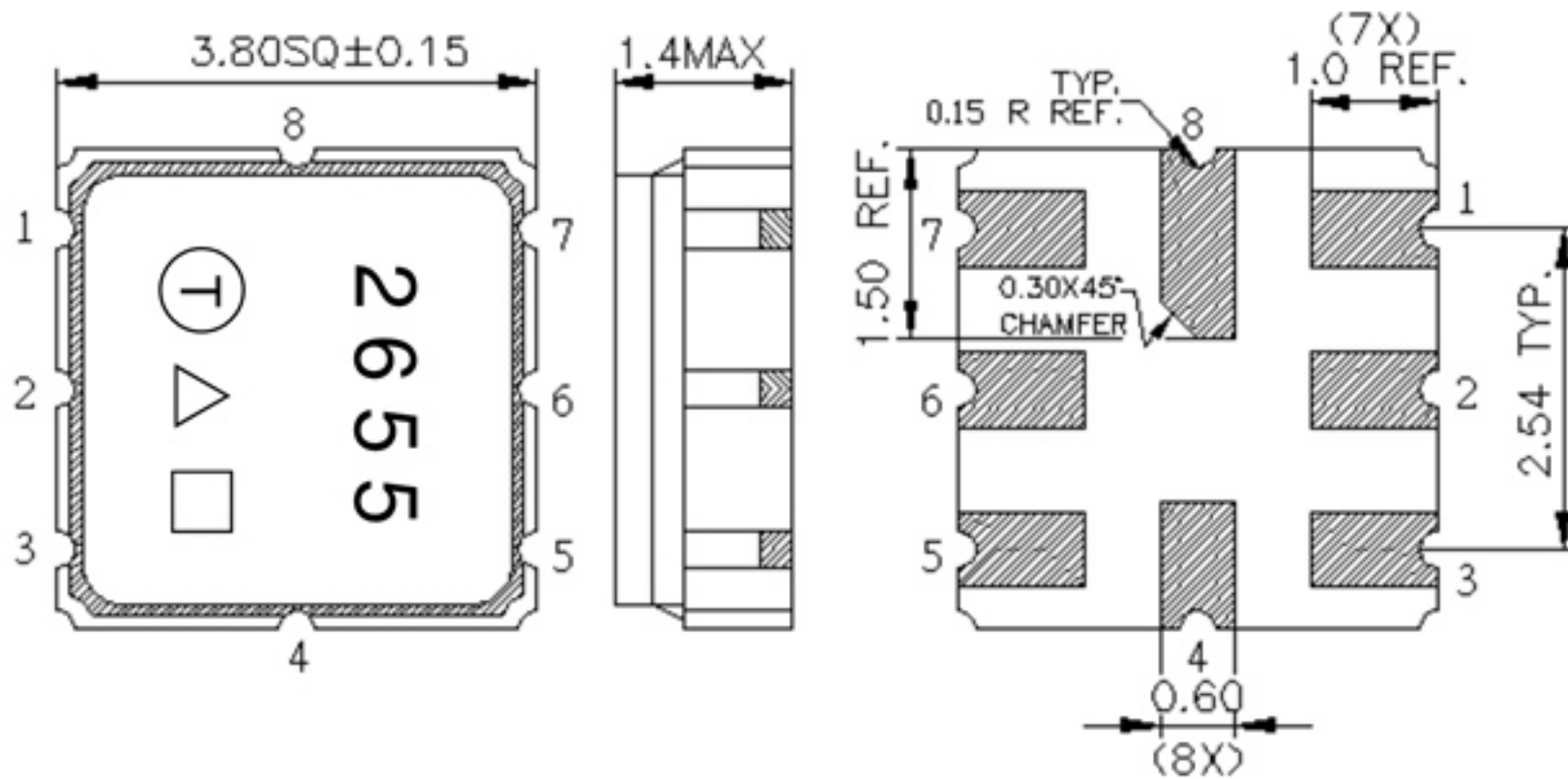


D. MATCHING CIRCUIT:



L1=18nH L2=18nH C1=2.0pF C2=5.6pF

E. Outline Drawing:



- #1 –Input
- #2 –Input ground
- #5 – Output
- #6 – Output ground
- Others – Ground

Unit: mm

□ : Week Code

△ : Product / Year Code

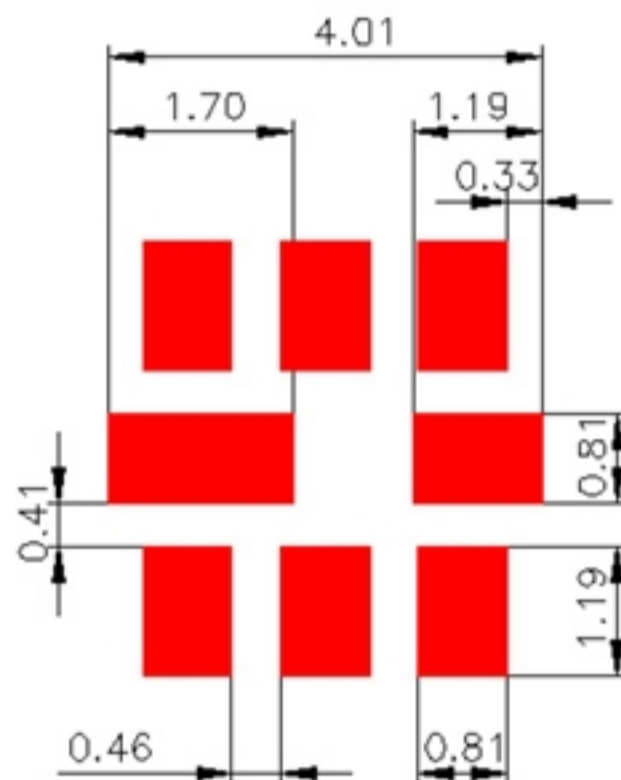
Product / Year Code

Year	2019 2021	2020 2022
Product Code	A	a

Week Code Table

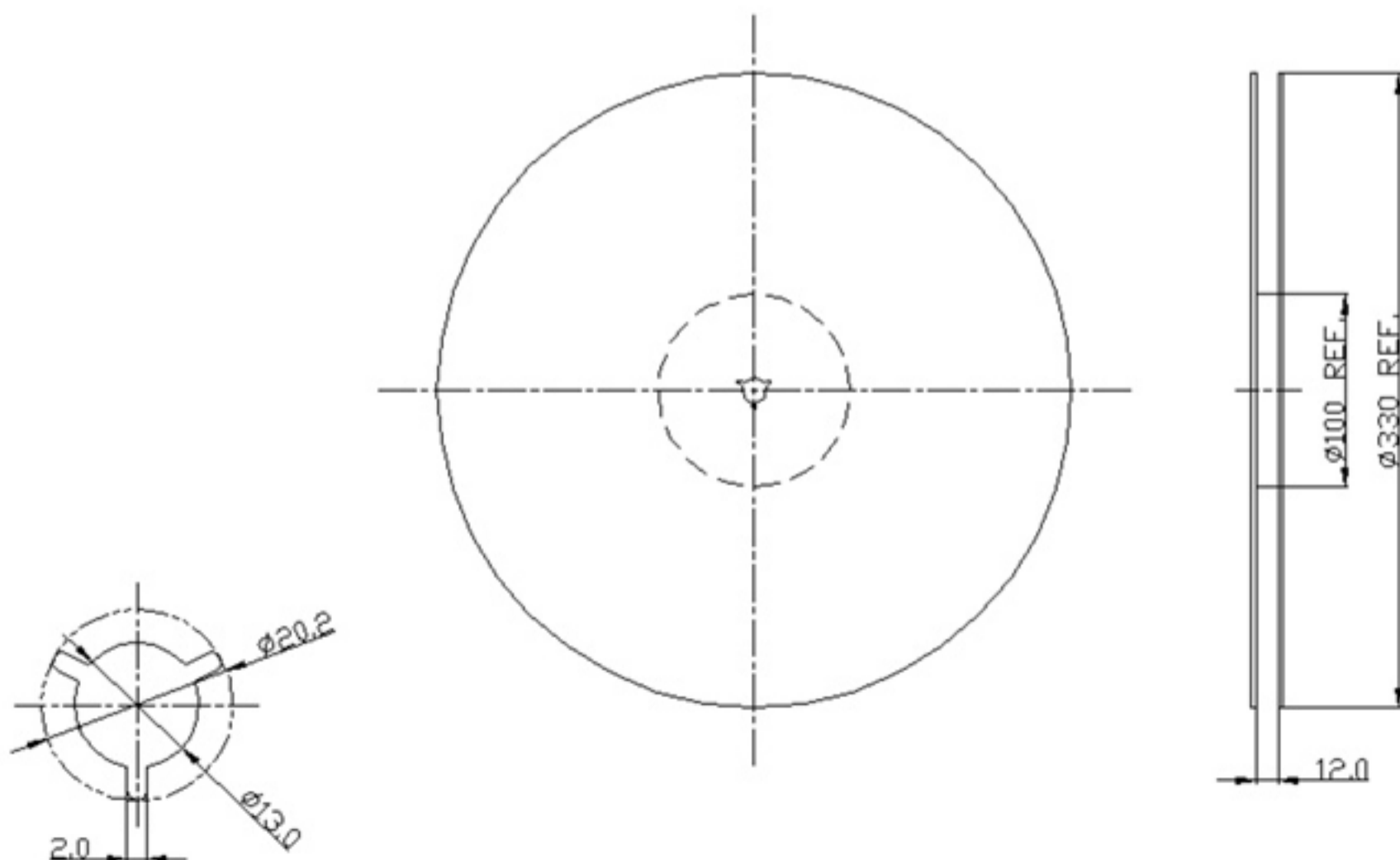
WK01	WK02	WK03	WK04	WK05	WK06	WK07	WK08	WK09	WK10	WK11	WK12	WK13
A	B	C	D	E	F	G	H	I	J	K	L	M
WK14	WK15	WK16	WK17	WK18	WK19	WK20	WK21	WK22	WK23	WK24	WK25	WK26
N	O	P	Q	R	S	T	U	V	W	X	Y	Z
WK27	WK28	WK29	WK30	WK31	WK32	WK33	WK34	WK35	WK36	WK37	WK38	WK39
a	b	c	d	e	f	g	h	i	j	k	l	m
WK40	WK41	WK42	WK43	WK44	WK45	WK46	WK47	WK48	WK49	WK50	WK51	WK52
n	o	p	q	r	s	t	u	v	w	x	y	z

F. PCB FOOTPRINT:

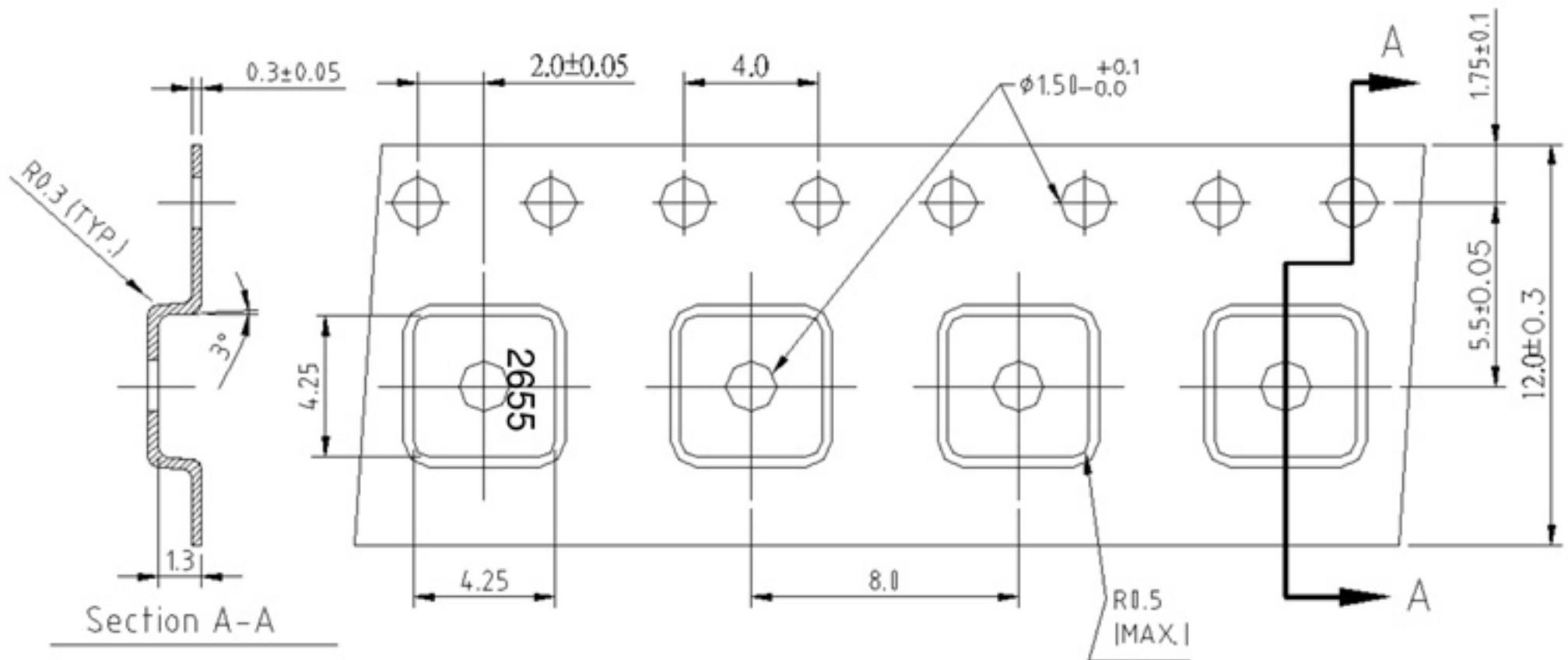


G. PACKING:

1. REEL DIMENSION: (Please refer to FR-75D10 for packing quantity)



2. TAPE DIMENSION:



H. RECOMMENDED REFLOW PROFILE:

1. Preheating shall be fixed at $150 \sim 180^\circ\text{C}$ for $60 \sim 90$ seconds.
2. Ascending time to preheating temperature 150°C shall be 30 seconds min.
3. Heating shall be fixed at 220°C for $50 \sim 80$ seconds and at $260^\circ\text{C} \pm 5^\circ\text{C}$ peak ($20 \sim 40$ sec).
4. Time: 2 times.

