

## SAW Filter 918.5 MHz

MODEL NO.: TA2498A

REV. NO.:1

### A. MAXIMUM RATING:

1. Input Power Level: 10 dB<sub>m</sub>
2. DC voltage: 3 V
3. Operating Temperature: -40°C to +85°C
4. Storage Temperature: -40°C to +85°C
5. Moisture Sensitivity Level: Level 1 (MSL1)

RoHS Compliant  
Lead free  
Lead-free soldering

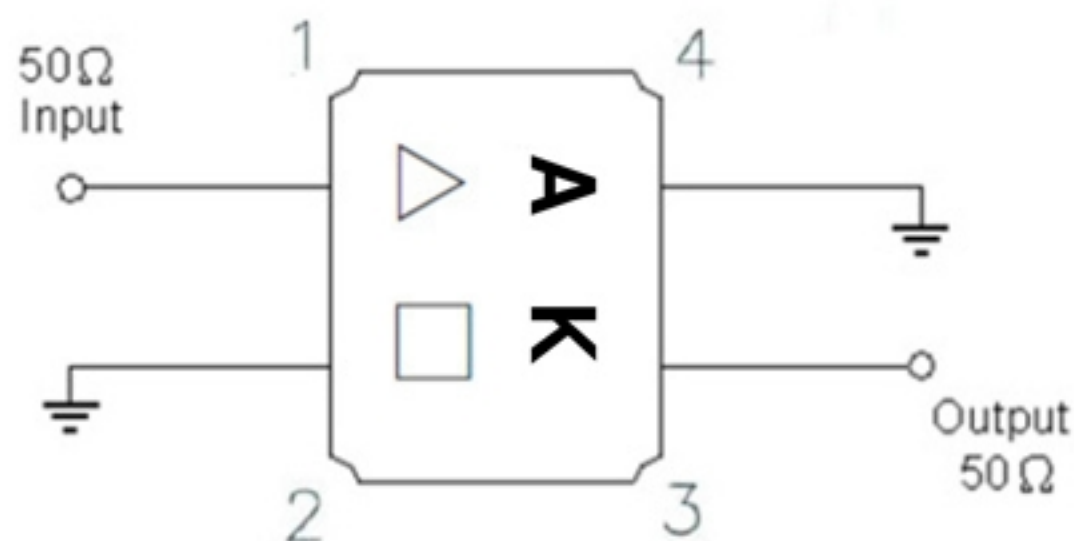
Electrostatic Sensitive Device (ESD)

### B. ELECTRICAL CHARACTERISTICS:

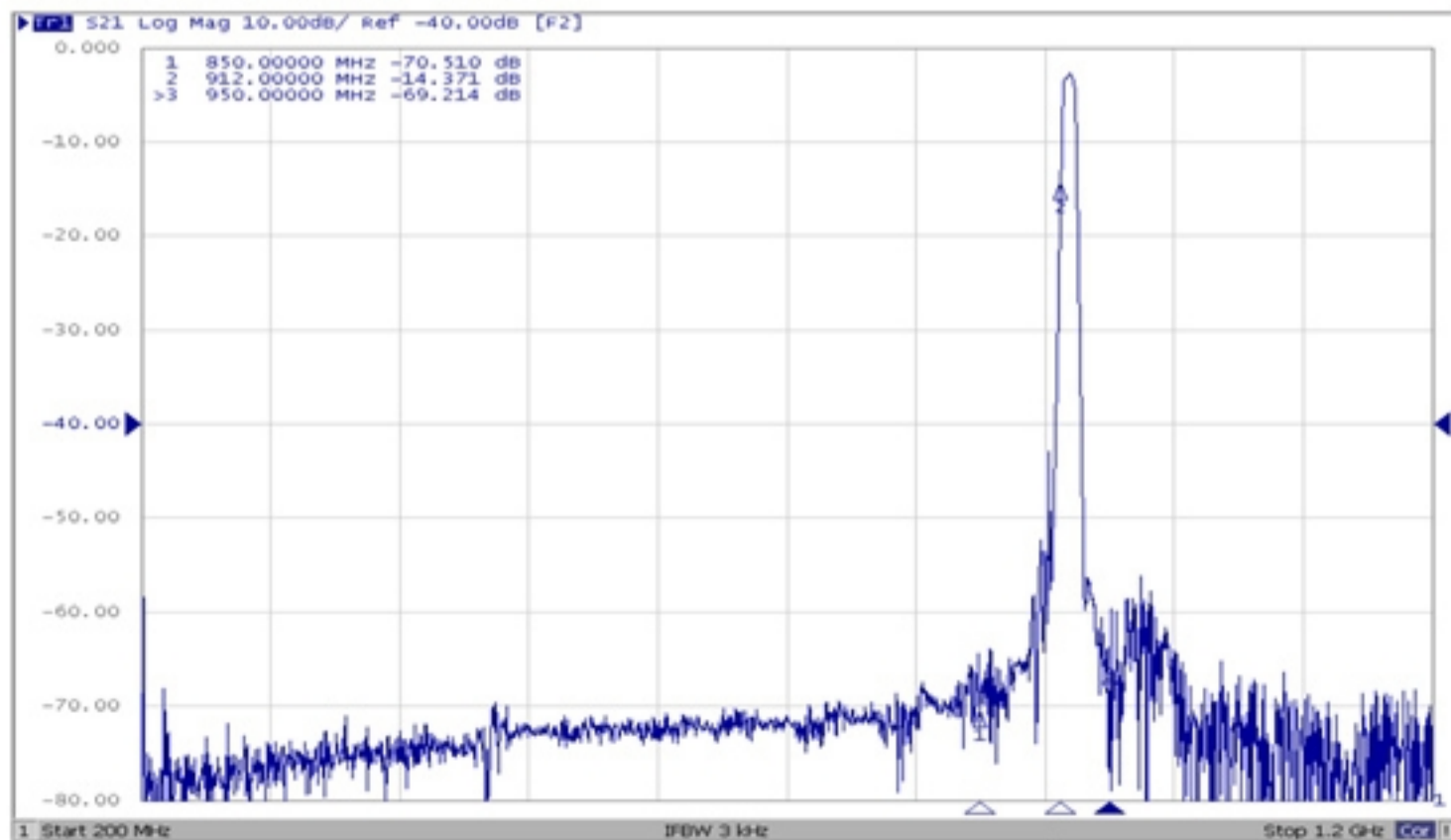
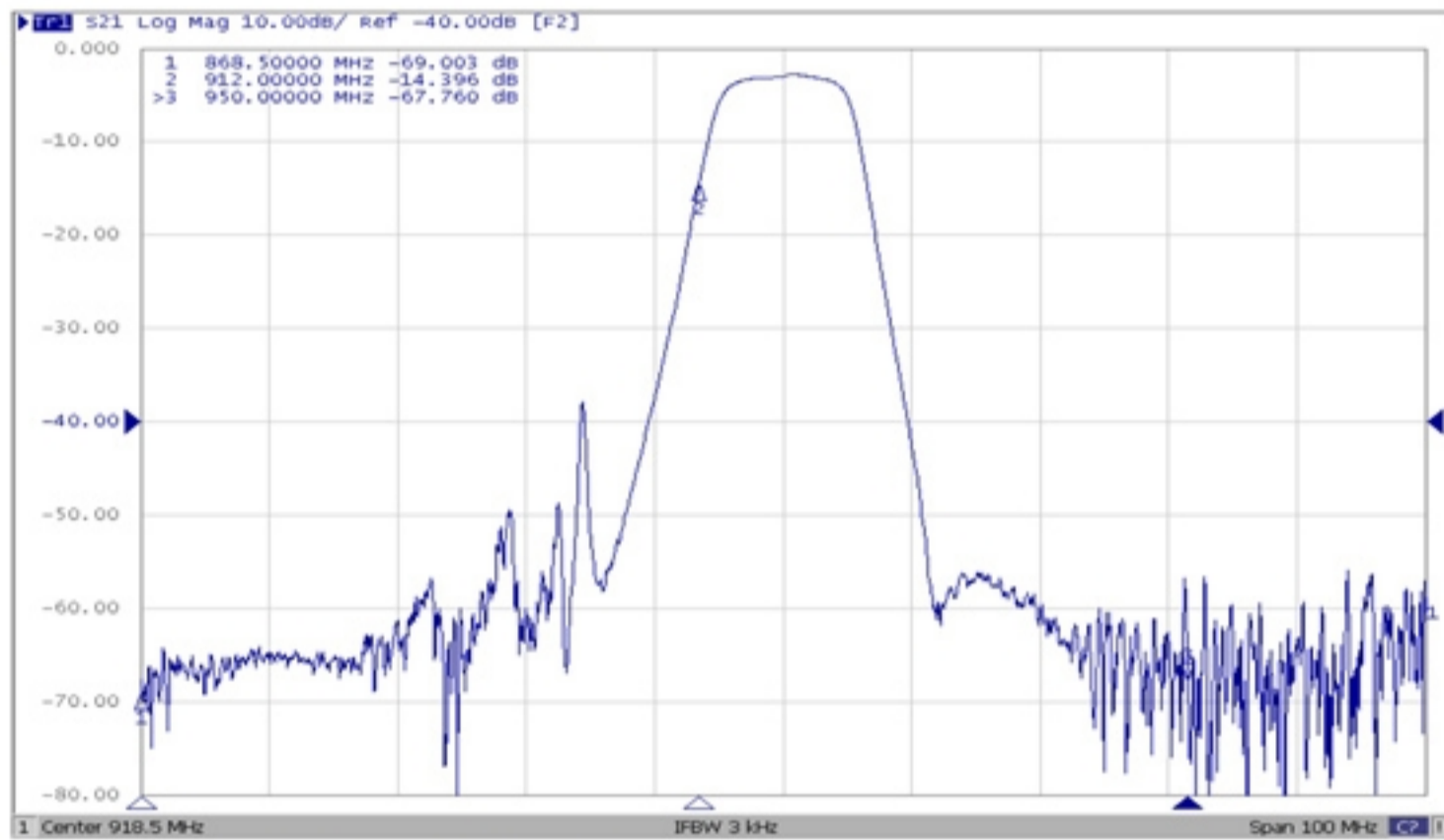
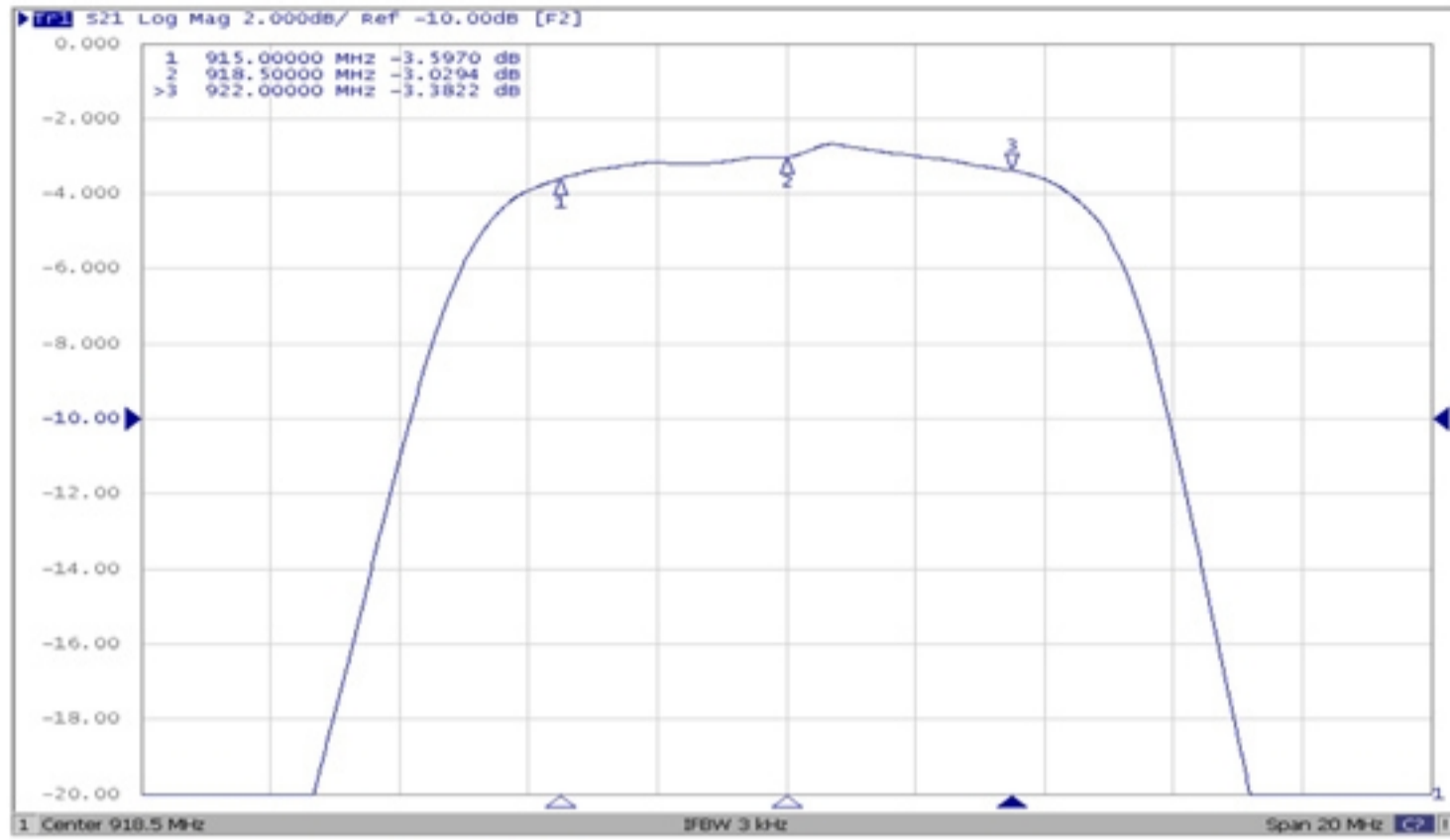
Temperature range for specification: 25°C

Item	Unit	Min.	Typ.	Max.	
Center frequency	Fc	MHz	-	918.5	-
Insertion Loss (915~922 MHz)	IL	dB	-	3.6	4.2
Amplitude Ripple (915~922 MHz)	dB	-	0.9	1.8	
<b>Attenuation</b> (Reference level from 0 dB)					
200 ~ 850 MHz	dB	40	59	-	
912 MHz	dB	10	14	-	
950 ~ 1200 MHz	dB	40	55	-	
Temperature coefficient of frequency	ppm/k	-	-30	-	

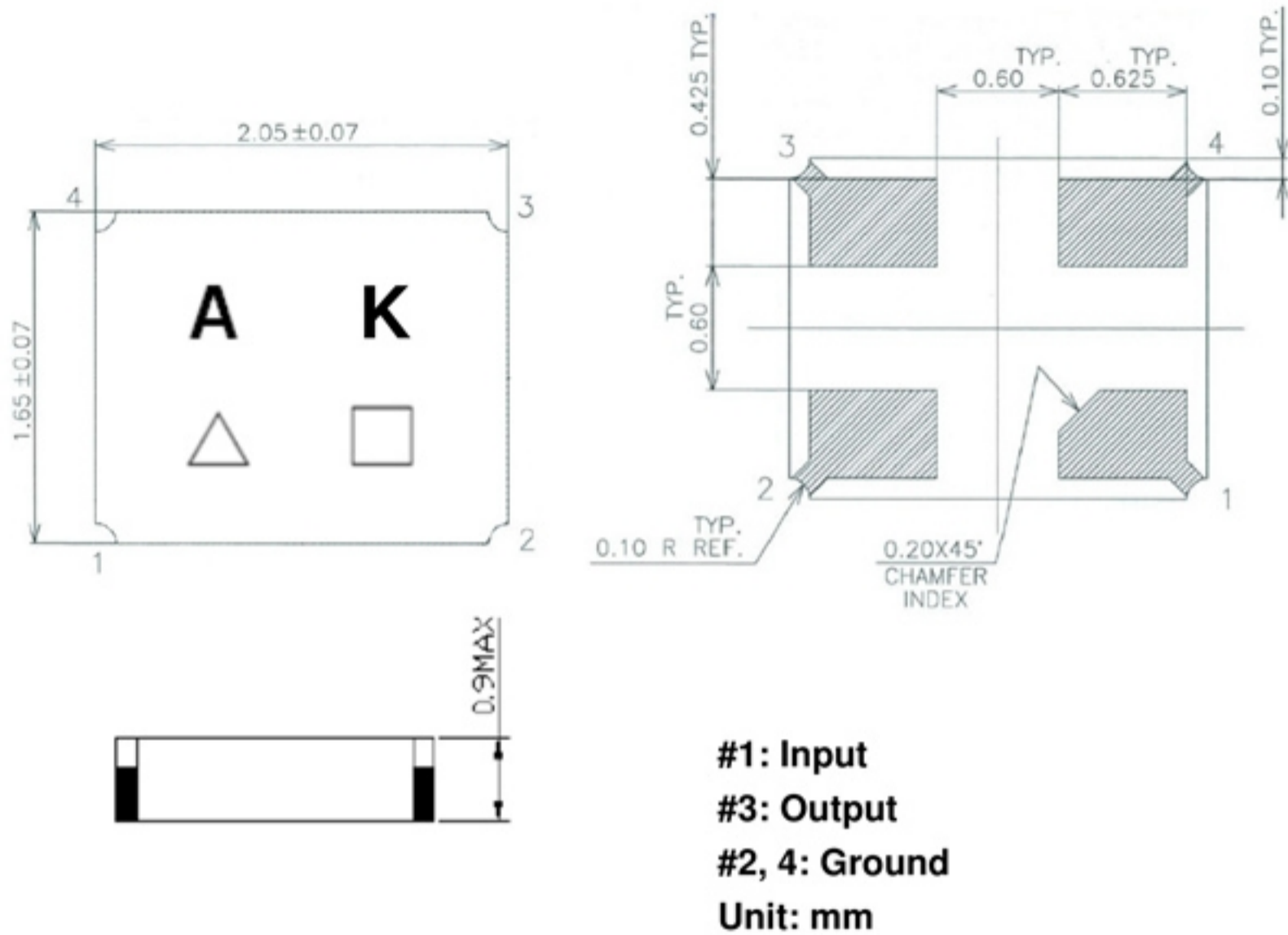
### C. MEASUREMENT CIRCUIT:



### D. Frequency Characteristics:



**E. OUTLINE DRAWING:**



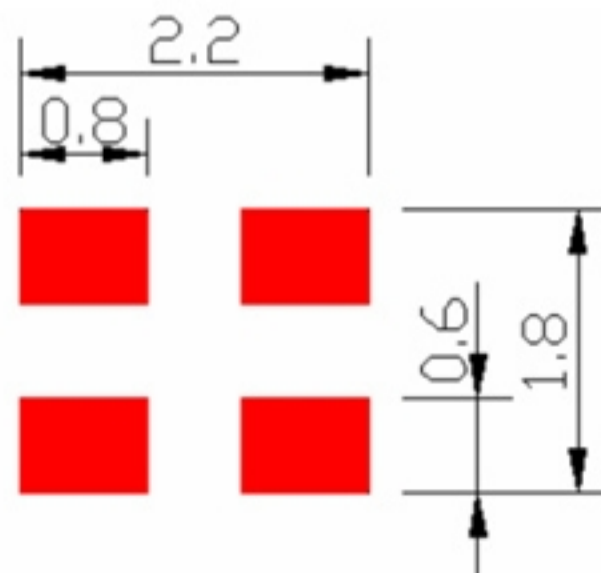
△: Year Code (2010->0, 2011->1, ..., 2019->9)

□: Date Code (Follow the table from planner each year)

**Date Code Table:**

WK01	WK02	WK03	WK04	WK05	WK06	WK07	WK08	WK09	WK10	WK11	WK12	WK13
A	B	C	D	E	F	G	H	I	J	K	L	M
WK14	WK15	WK16	WK17	WK18	WK19	WK20	WK21	WK22	WK23	WK24	WK25	WK26
N	O	P	Q	R	S	T	U	V	W	X	Y	Z
WK27	WK28	WK29	WK30	WK31	WK32	WK33	WK34	WK35	WK36	WK37	WK38	WK39
a	b	c	d	e	f	g	h	i	j	k	l	m
WK40	WK41	WK42	WK43	WK44	WK45	WK46	WK47	WK48	WK49	WK50	WK51	WK52
n	o	p	q	r	s	t	u	v	w	x	y	z

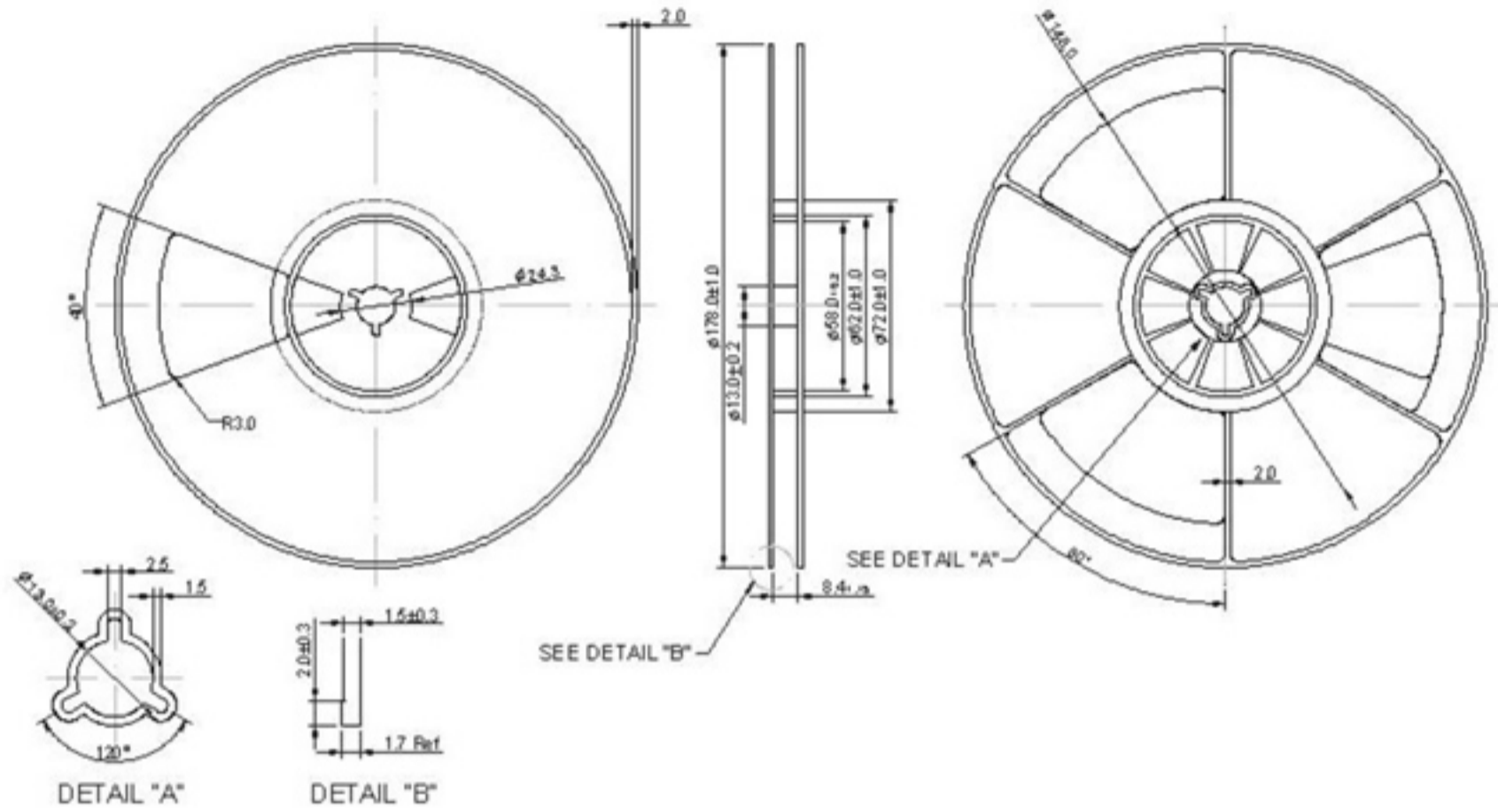
**F. PCB Footprint:**



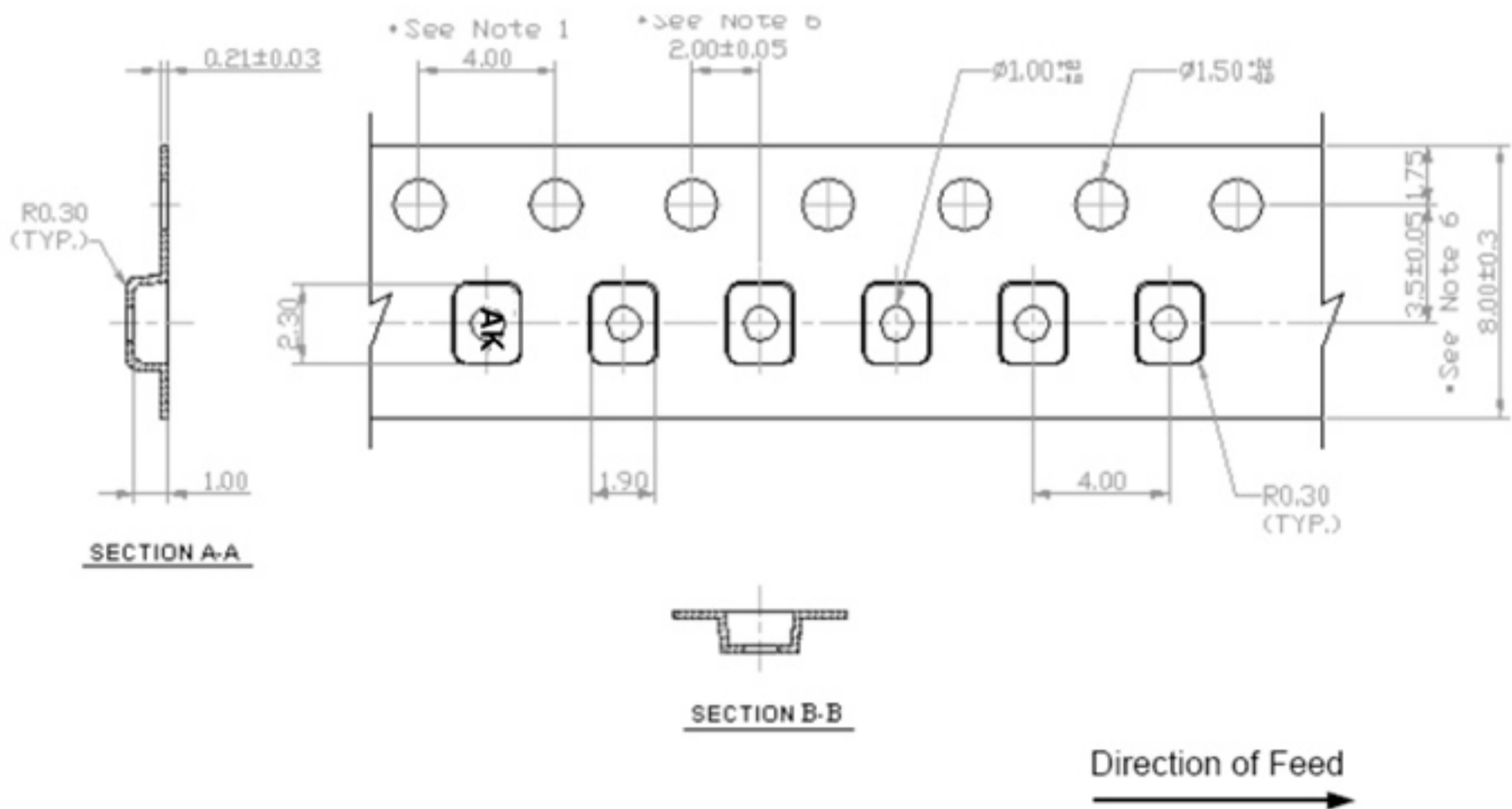
**G. PACKING: (Ref. WI-75M03)**

**1. REEL DIMENSION**

**(Please refer to FR-75D10 for packing quantity)**



**2. TAPE DIMENSION**



### H. Recommended Reflow Profile:

1. Preheating shall be fixed at  $150\sim 180^{\circ}\text{C}$  for 60~90 seconds.
2. Ascending time to preheating temperature  $150^{\circ}\text{C}$  shall be 30 seconds min.
3. Heating shall be fixed at  $220^{\circ}\text{C}$  for 50~80 seconds and at  $260^{\circ}\text{C} +0/-5^{\circ}\text{C}$  peak (20~40sec).
4. Time: 2 times.

