

# Dielectric filter 1230 MHz

MODEL NO.: TR0023A

REV. NO.:1

## A. MAXIMUM RATING:

1. Input Power Level: 1 W
2. DC Voltage : 0 V
3. Operating Temperature: -40 °C to +85 °C
4. Storage Temperature:-40 °C to +85 °C
5. Moisture Sensitivity Level: Level 3

**Electrostatic Sensitive Device (ESD)**

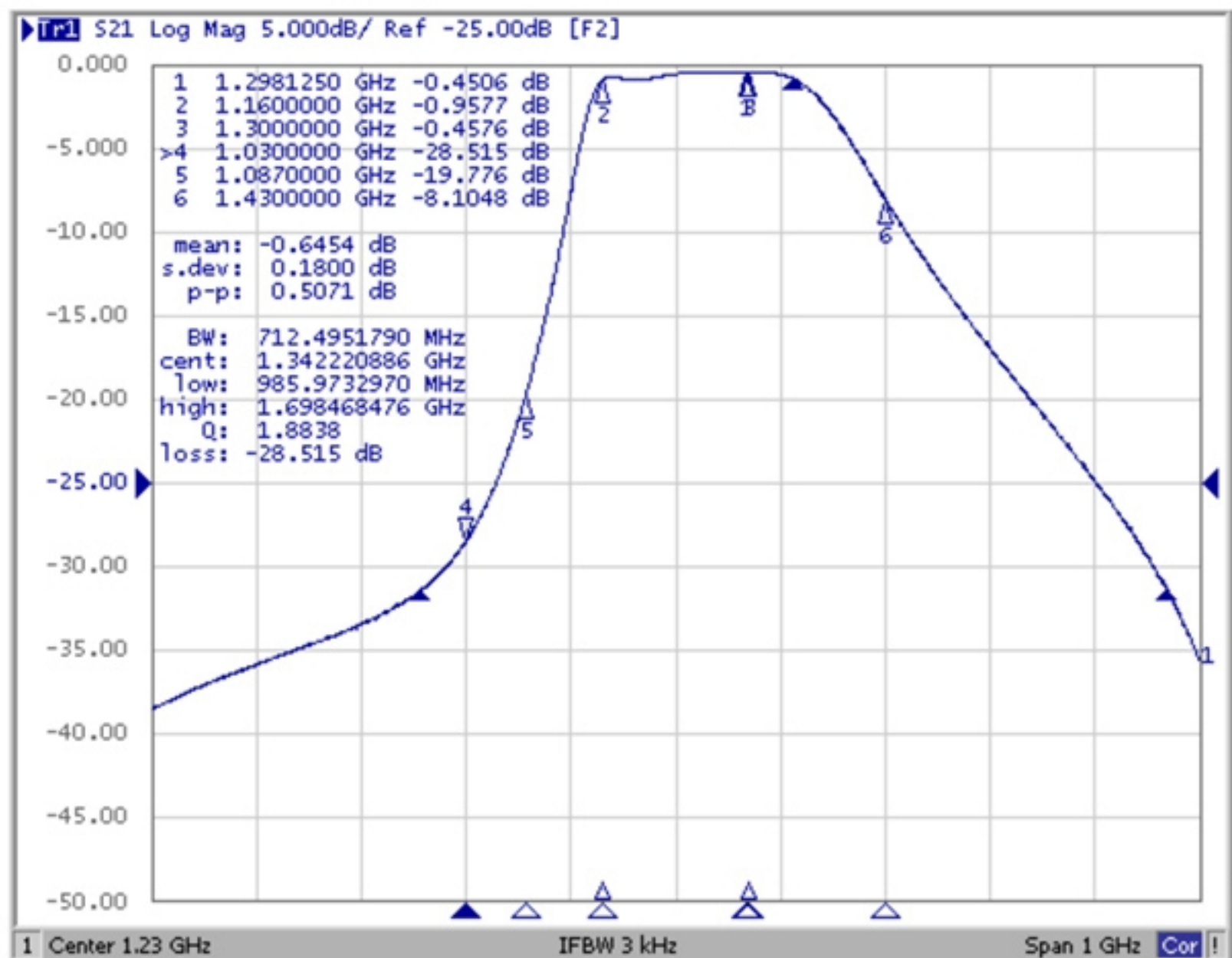
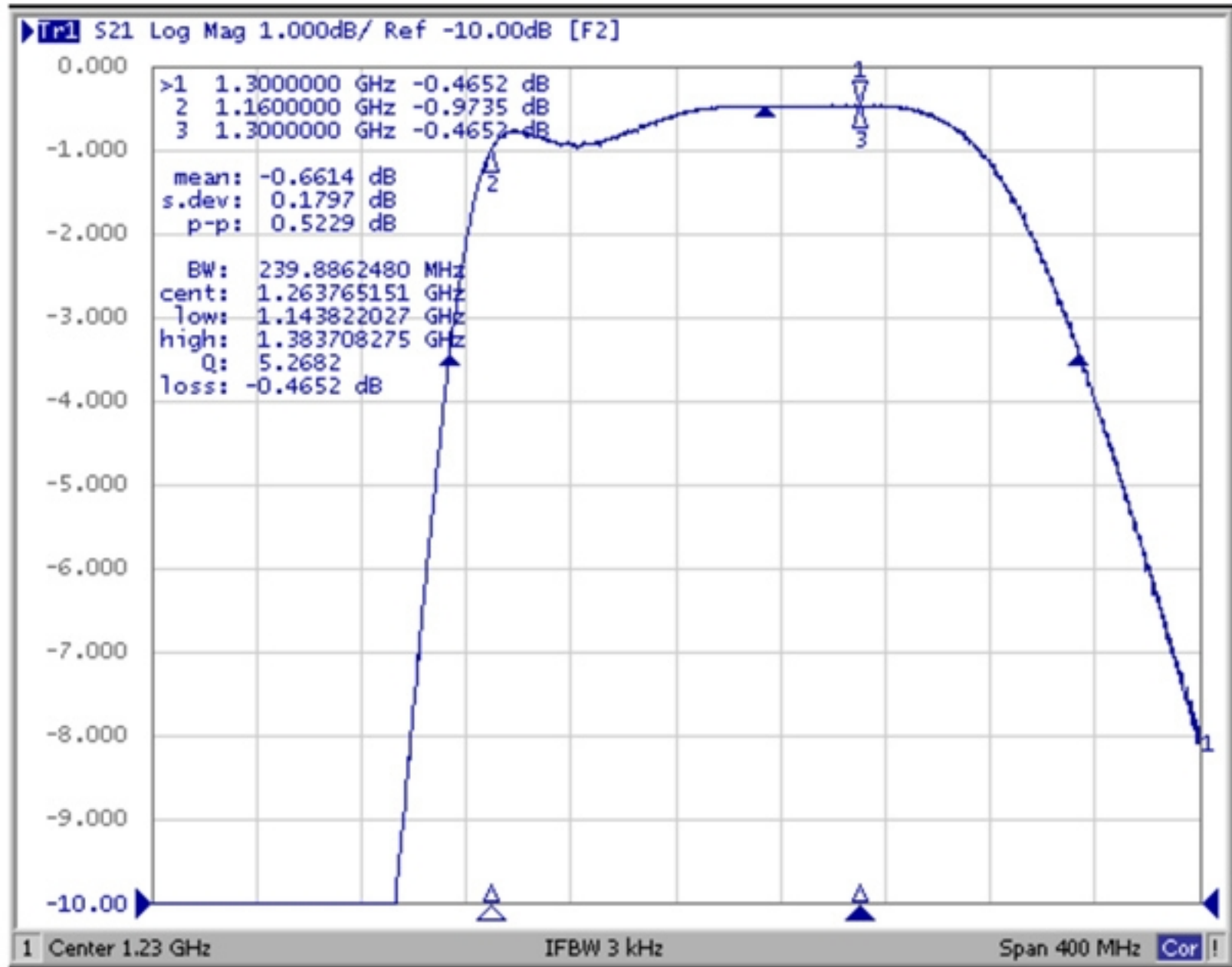
## B. ELECTRICAL CHARACTERISTICS:

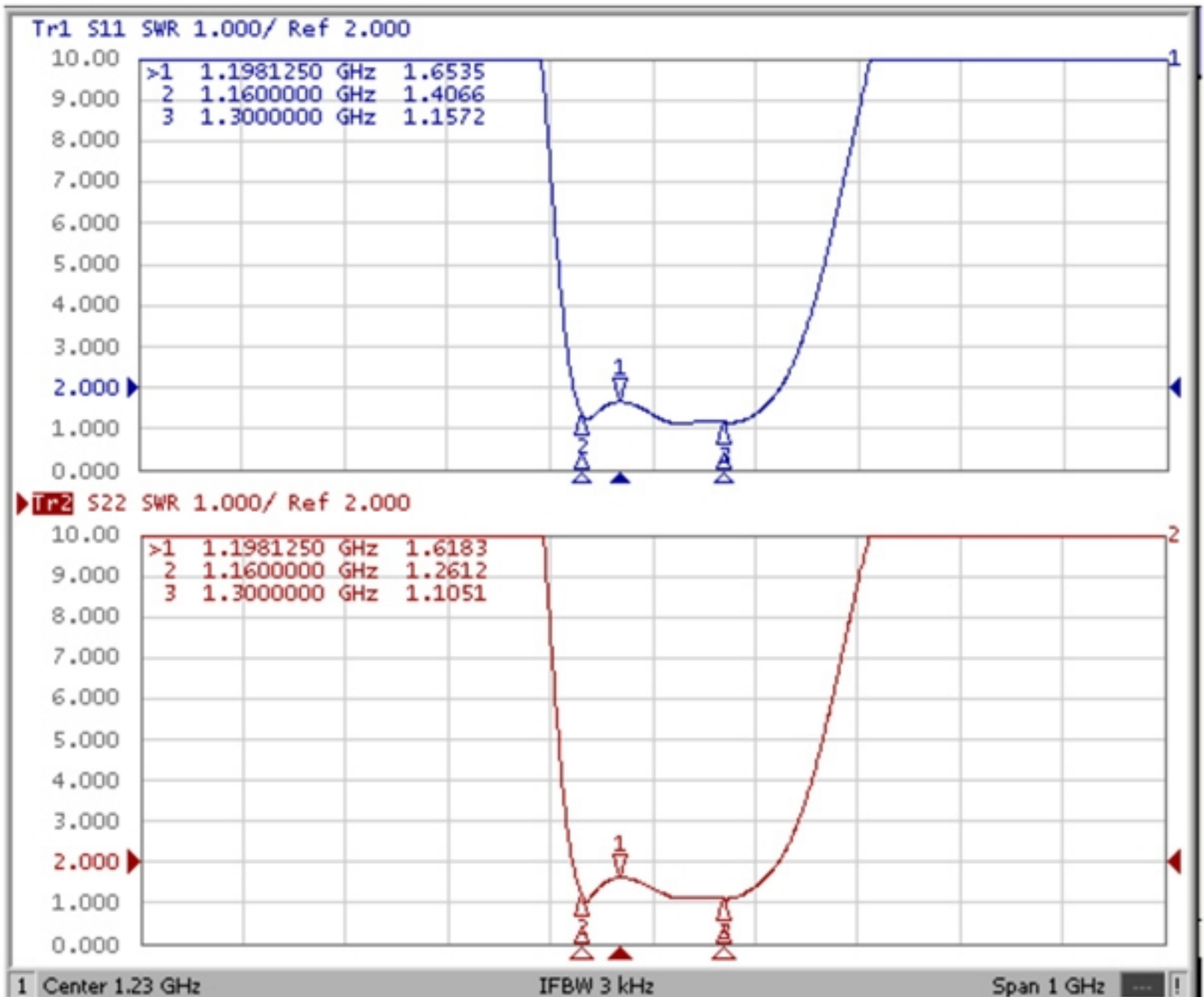
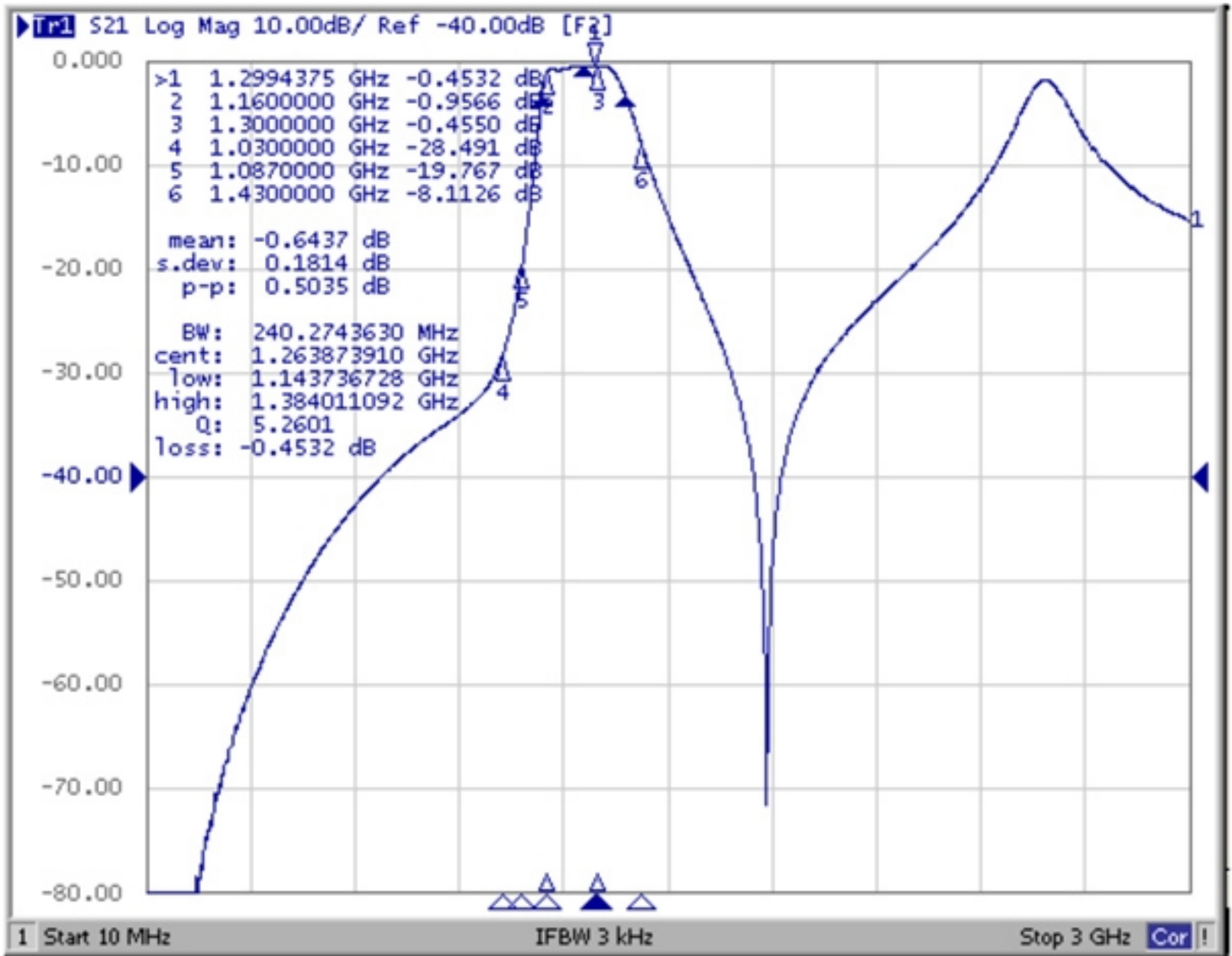
Terminating source impedance (single ended) :  $Z_s = 50 \Omega$

Terminating load impedance (single ended) :  $Z_L = 50 \Omega$

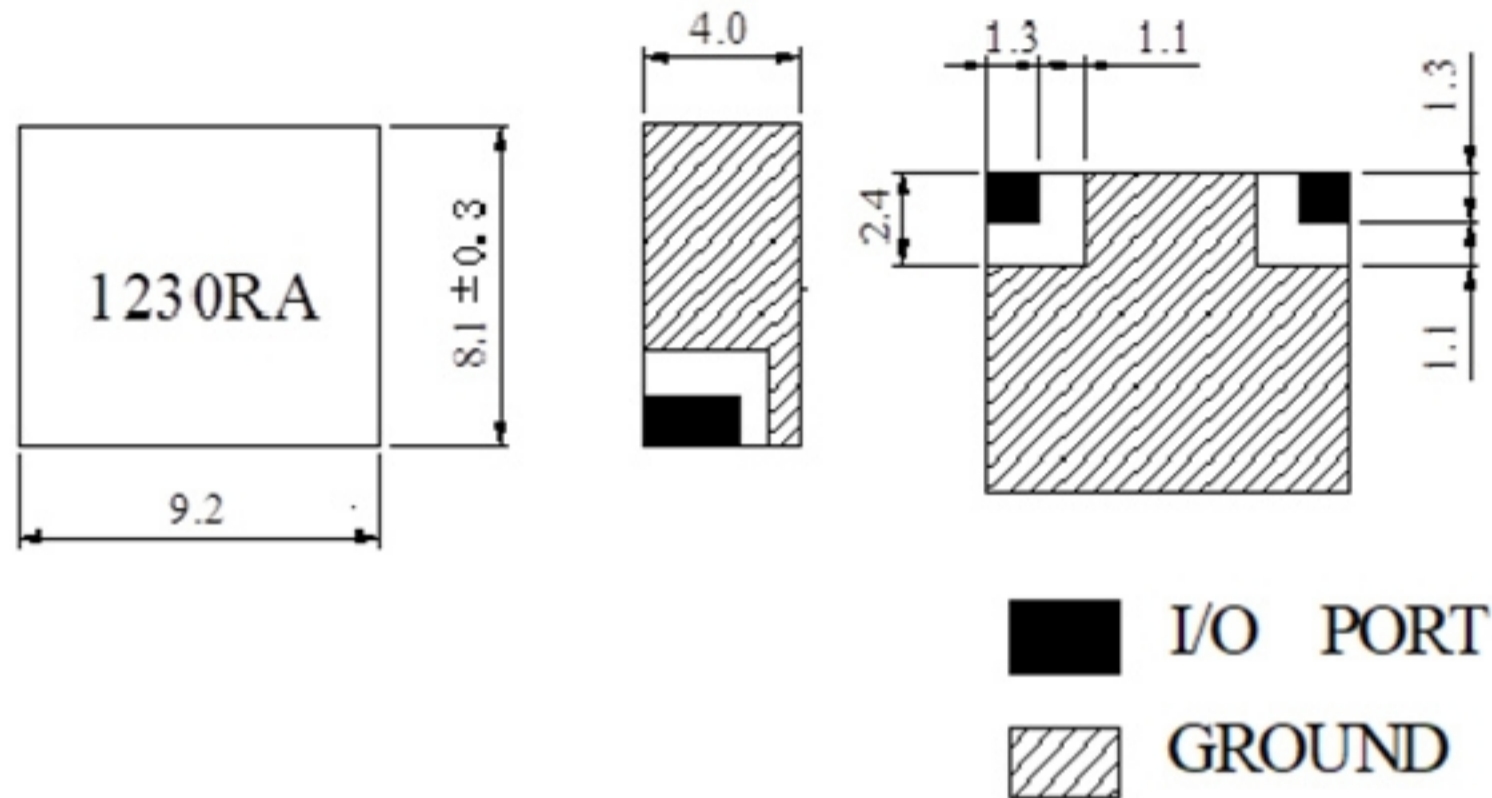
Item	Specifications
Center Frequency (Fo)	1230.0 MHz
Pass Bandwidth (BW)	1160.0 ~ 1300.0 MHz (fo 70.0MHz)
Insertion Loss in BW	2.0 dB max.
Ripple in BW	0.8 dB max.
V S W R	1.8 max.
Attenuation [Absolute Value]	25.0 dB min. @ fo : 1030.0 MHz 17.0 dB min. @ fo : 1087.0 MHz 7.0 dB min. @ fo : 1430.0 MHz
Input Power	1.0 max
In /Out Impedance	50Ω
Operation Temperature Range	-40°C ~ +85°C

### C. FREQUENCY CHARACTERISTICS:



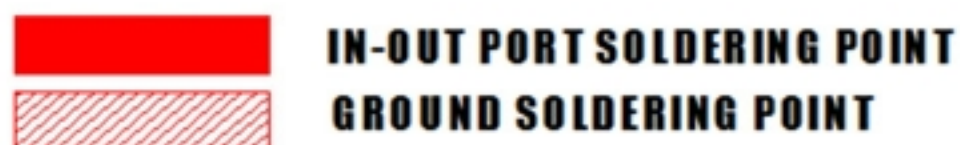
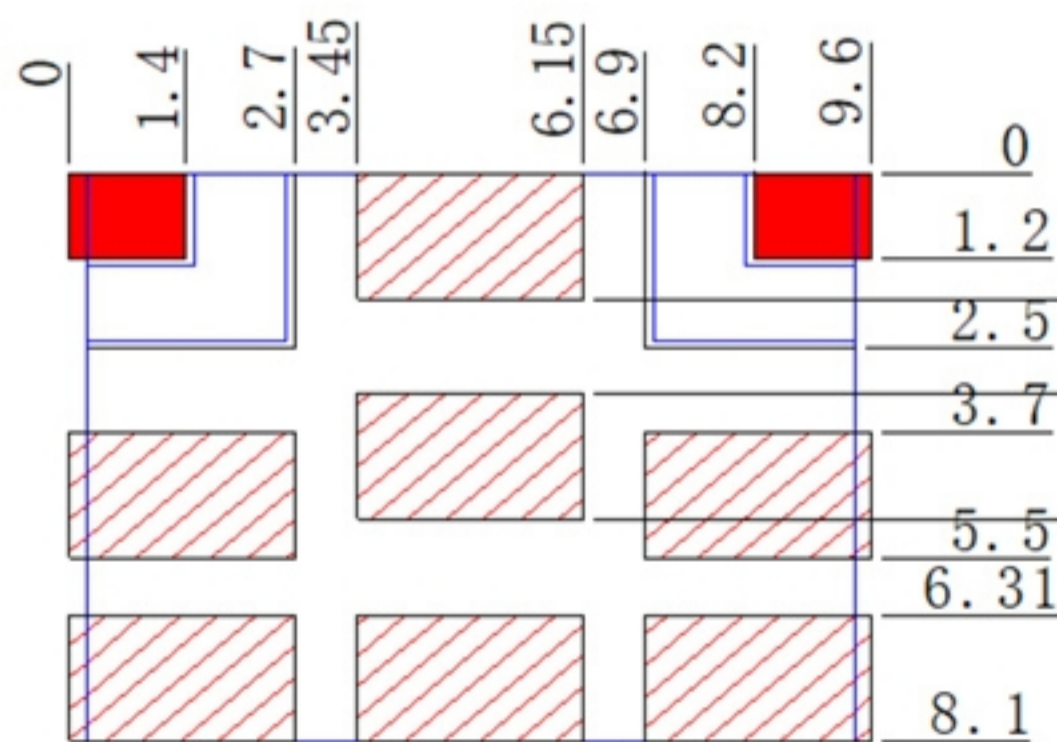


**D. OUTLINE DRAWING:  
DIMENSION**



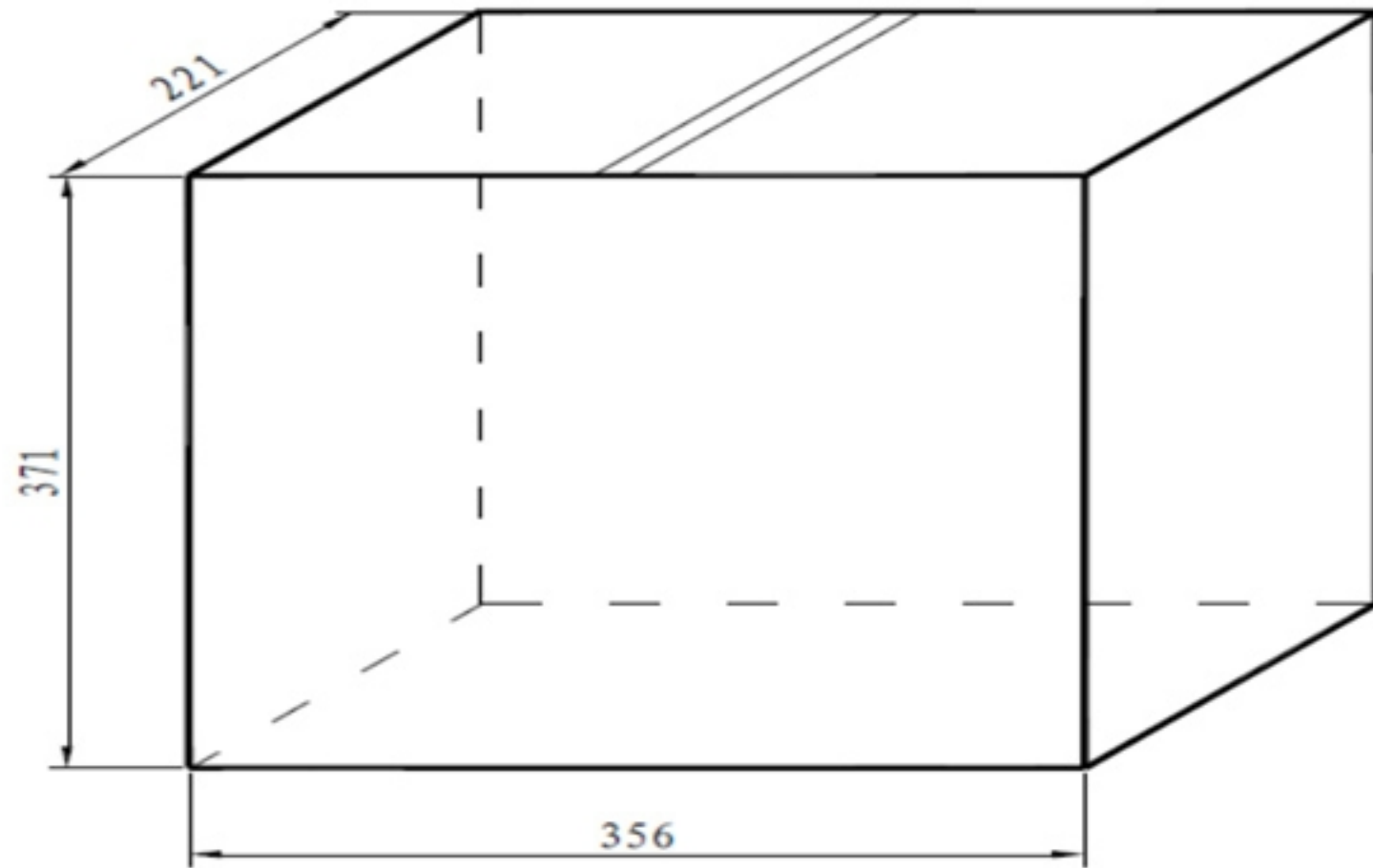
**TOLERANCE : 0.20**  
**UNIT : mm**

**E. PCB FOOT PRINT**

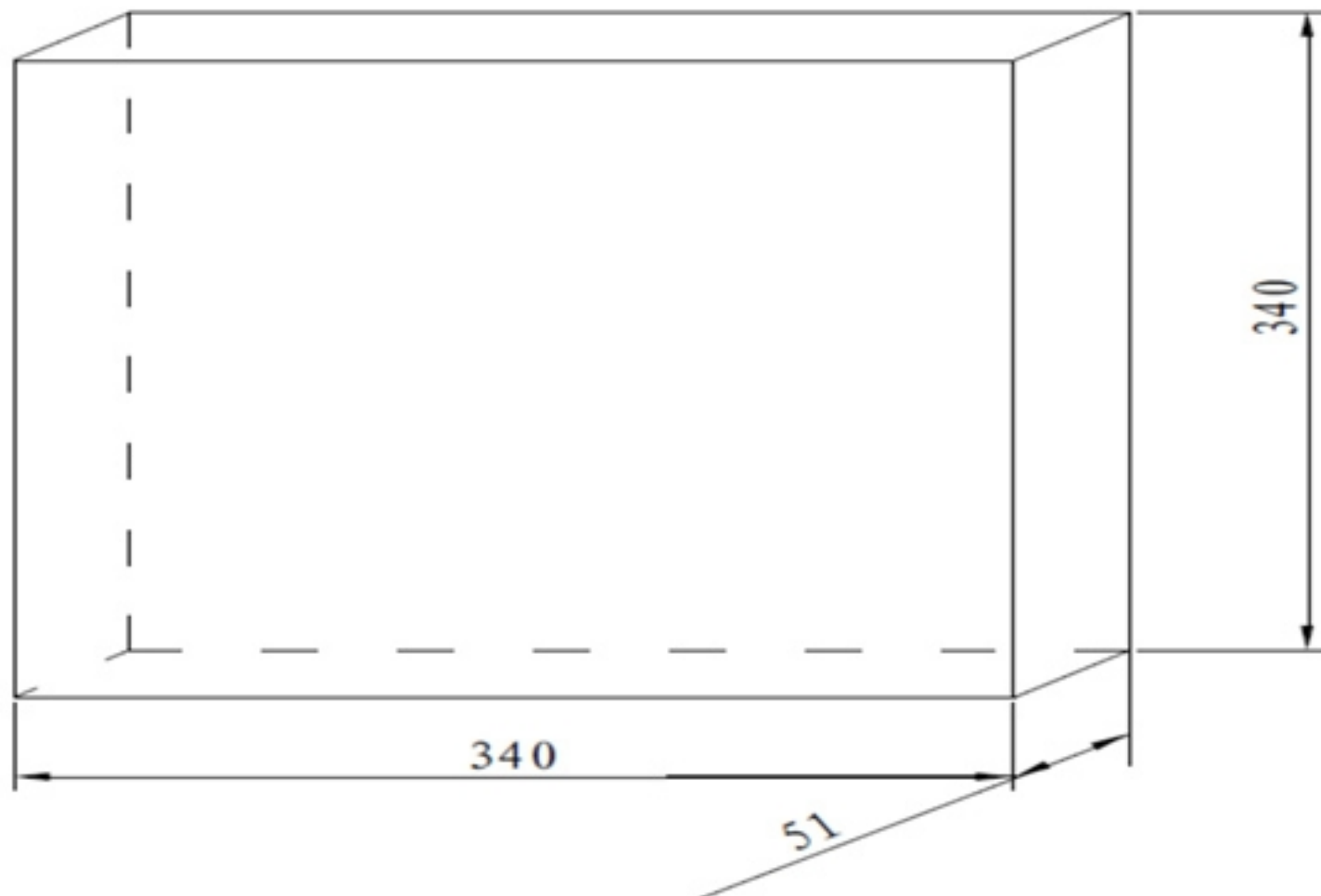


**F. PACKING:**

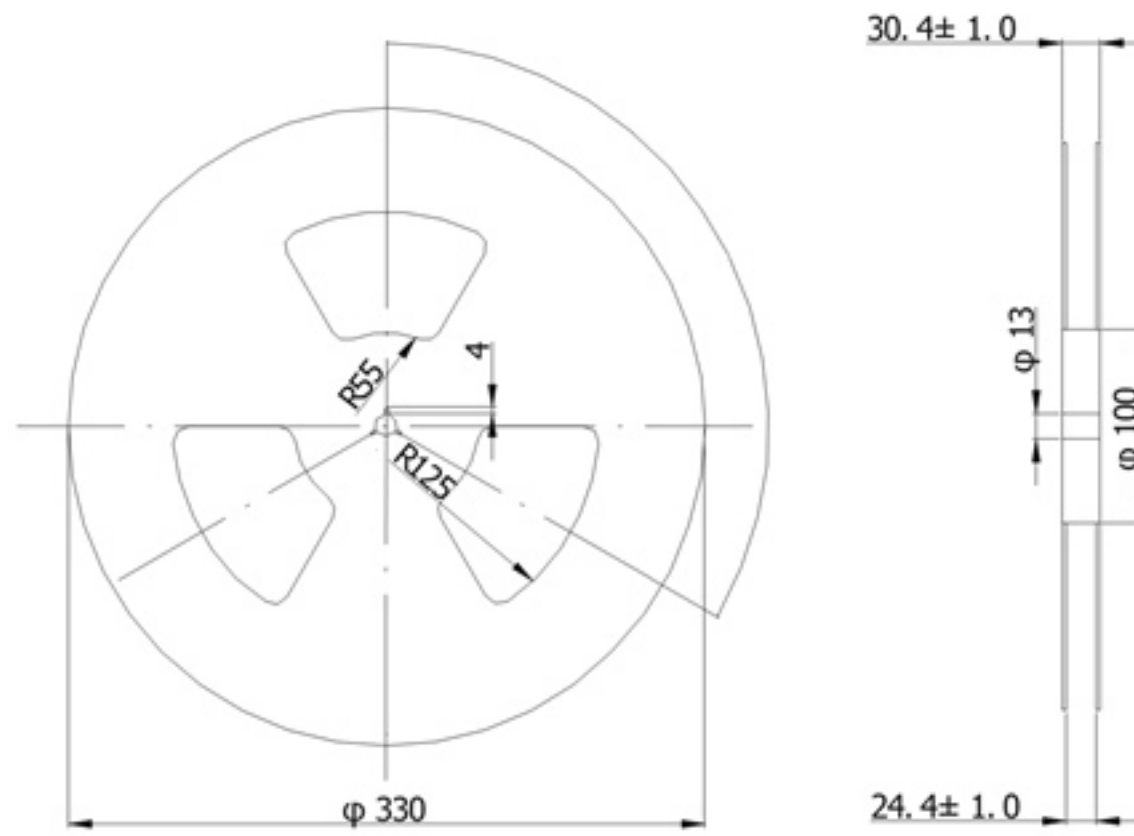
**1 Dimensions of Outer Carton (4 Inner Carton / Outer Carton)**



**2 Dimensions of Inner Carton (1Reel/ Inner Carton)**



### 3 Dimensions of Reel (500pcs/ Reel)



### 4 Dimensions of Carrier Tape

