

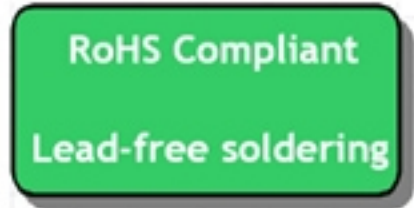
SAW Filter 1234.4 MHz

MODEL NO.: TA2549A

REV. NO.:2

A. MAXIMUM RATING:

1. Input Power Level: 10 dBm
2. DC Voltage : 3 V
3. Operating Temperature: -40 °C to +85 °C
4. Storage Temperature: -40 °C to +85 °C
5. Moisture Sensitivity Level: Level 2a(**MSL 2a**)

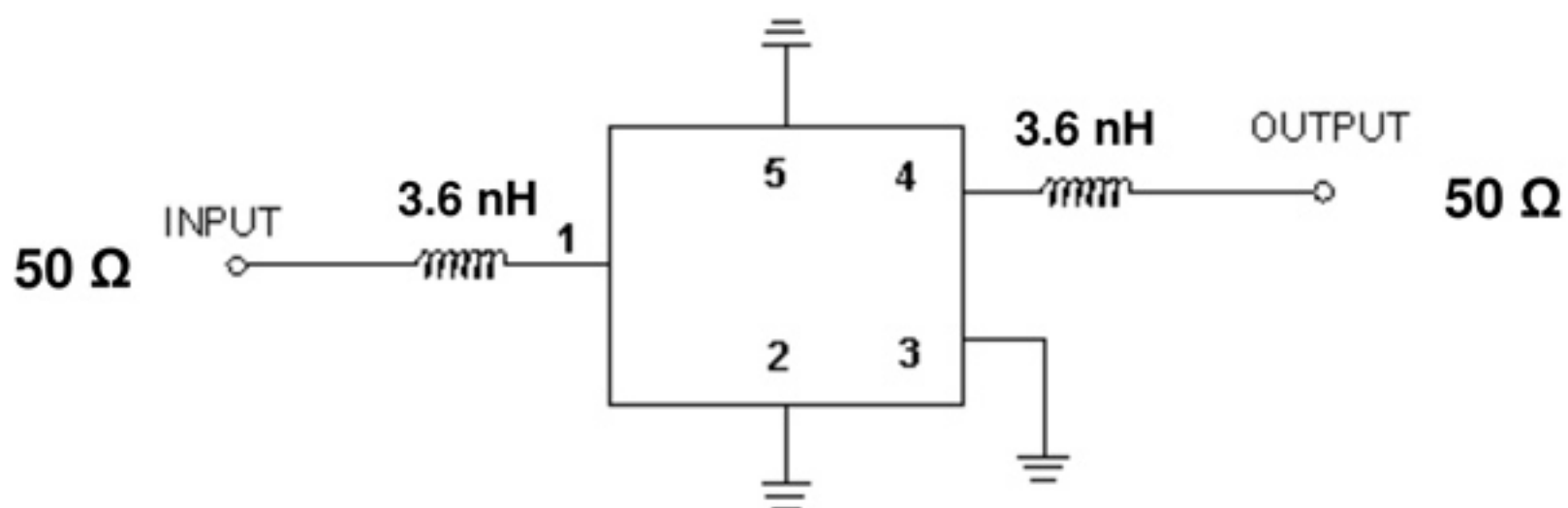


Electrostatic Sensitive Device (ESD)

B. ELECTRICAL CHARACTERISTICS:

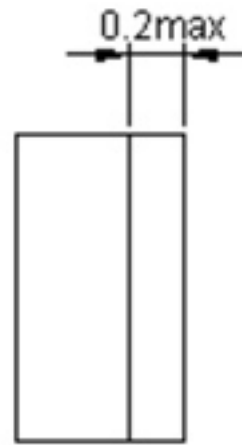
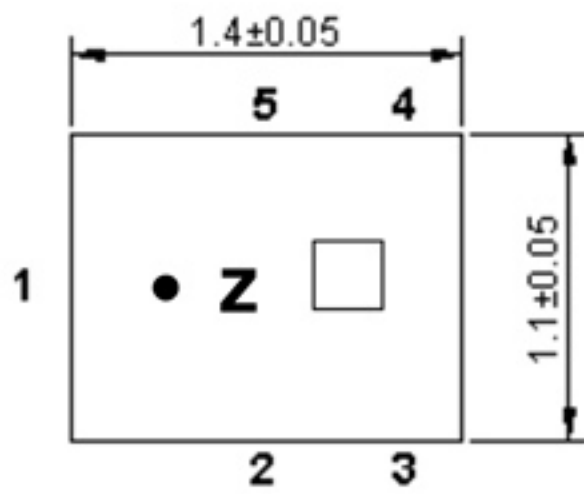
| Item | Unit | Min. | Typ. | Max. |
|--|-------|------|--------|------|
| Center frequency F_c | MHz | - | 1234.4 | - |
| Insertion loss (1211.9~1256.9 MHz) | dB | - | 2.6 | 3.5 |
| Amplitude ripple (1211.9~1256.9 MHz) | dB | - | 1.1 | 1.8 |
| Group delay ripple (1211.9~1256.9 MHz) | ns | - | 16 | 100 |
| Attenuation (Reference level from 0 dB) | | | | |
| 10 ~ 1088 MHz | dB | 30 | 46 | - |
| 1088 ~ 1178 MHz | dB | 20 | 42 | - |
| 1297 ~ 1387 MHz | dB | 25 | 44 | - |
| 1387 ~ 2000 MHz | dB | 22 | 44 | - |
| 2000 ~ 3000 MHz | dB | 25 | 50 | - |
| Temperature coefficient of frequency | ppm/k | - | -36 | - |

C. MEASUREMENT CIRCUIT:



- (1): Unbalance Port
- (4): Unbalance Port
- Others: Ground

D. OUTLINE DRAWING:

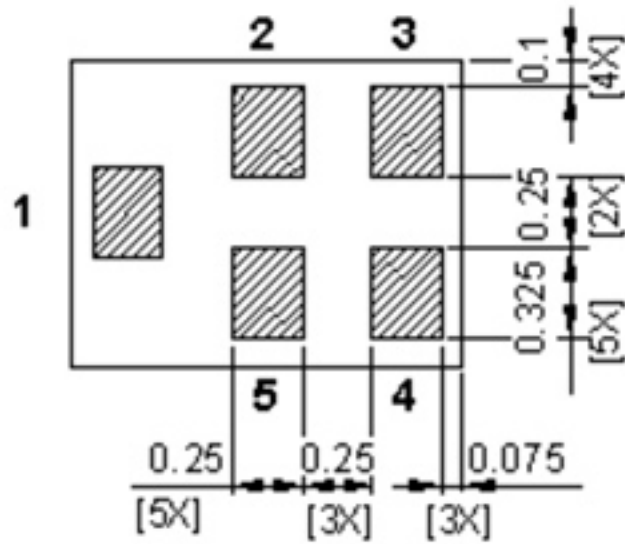


All tolerances are +/-0.05 mm unless otherwise specified

Coplanarity : 0.1 mm max.

1 to 5 : Pin No.

Unit : mm

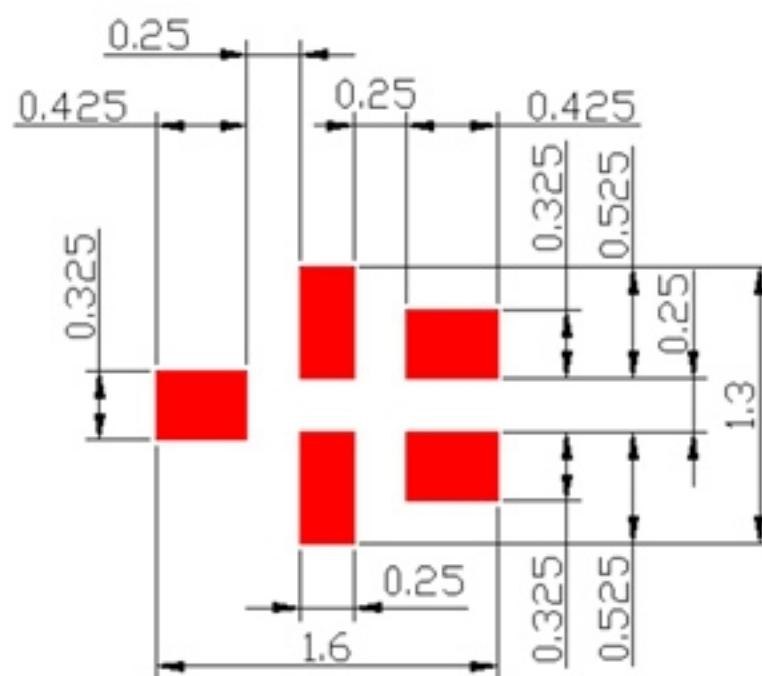


| Pin No. | Symbol | Function |
|---------|--------|----------|
| 1 | IN | Input |
| 2 | GND | Ground |
| 3 | GND | Ground |
| 4 | OUT | Output |
| 5 | GND | Ground |

□ : Year/Month Code (Follow the table)

| YEAR/Month | 1 | 2 | 3 | 4 | 5 | 6 | 7 | 8 | 9 | 10 | 11 | 12 |
|------------|----------|----------|----------|----------|----------|----------|----------|----------|----------|----------|----------|----------|
| 2013 | A | B | C | D | E | F | G | H | J | K | L | M |
| 2014 | N | P | Q | R | S | T | U | V | W | X | Y | Z |
| 2015 | a | b | c | d | e | f | g | h | j | k | l | m |
| 2016 | n | p | q | r | s | t | u | v | w | x | y | z |
| 2017 | <u>A</u> | <u>B</u> | <u>C</u> | <u>D</u> | <u>E</u> | <u>F</u> | <u>G</u> | <u>H</u> | <u>J</u> | <u>K</u> | <u>L</u> | <u>M</u> |
| 2018 | <u>N</u> | <u>P</u> | <u>Q</u> | <u>R</u> | <u>S</u> | <u>T</u> | <u>U</u> | <u>V</u> | <u>W</u> | <u>X</u> | <u>Y</u> | <u>Z</u> |
| 2019 | <u>a</u> | <u>b</u> | <u>c</u> | <u>d</u> | <u>e</u> | <u>f</u> | <u>g</u> | <u>h</u> | <u>i</u> | <u>k</u> | <u>l</u> | <u>m</u> |
| 2020 | <u>n</u> | <u>p</u> | <u>q</u> | <u>r</u> | <u>s</u> | <u>t</u> | <u>u</u> | <u>v</u> | <u>w</u> | <u>x</u> | <u>y</u> | <u>z</u> |

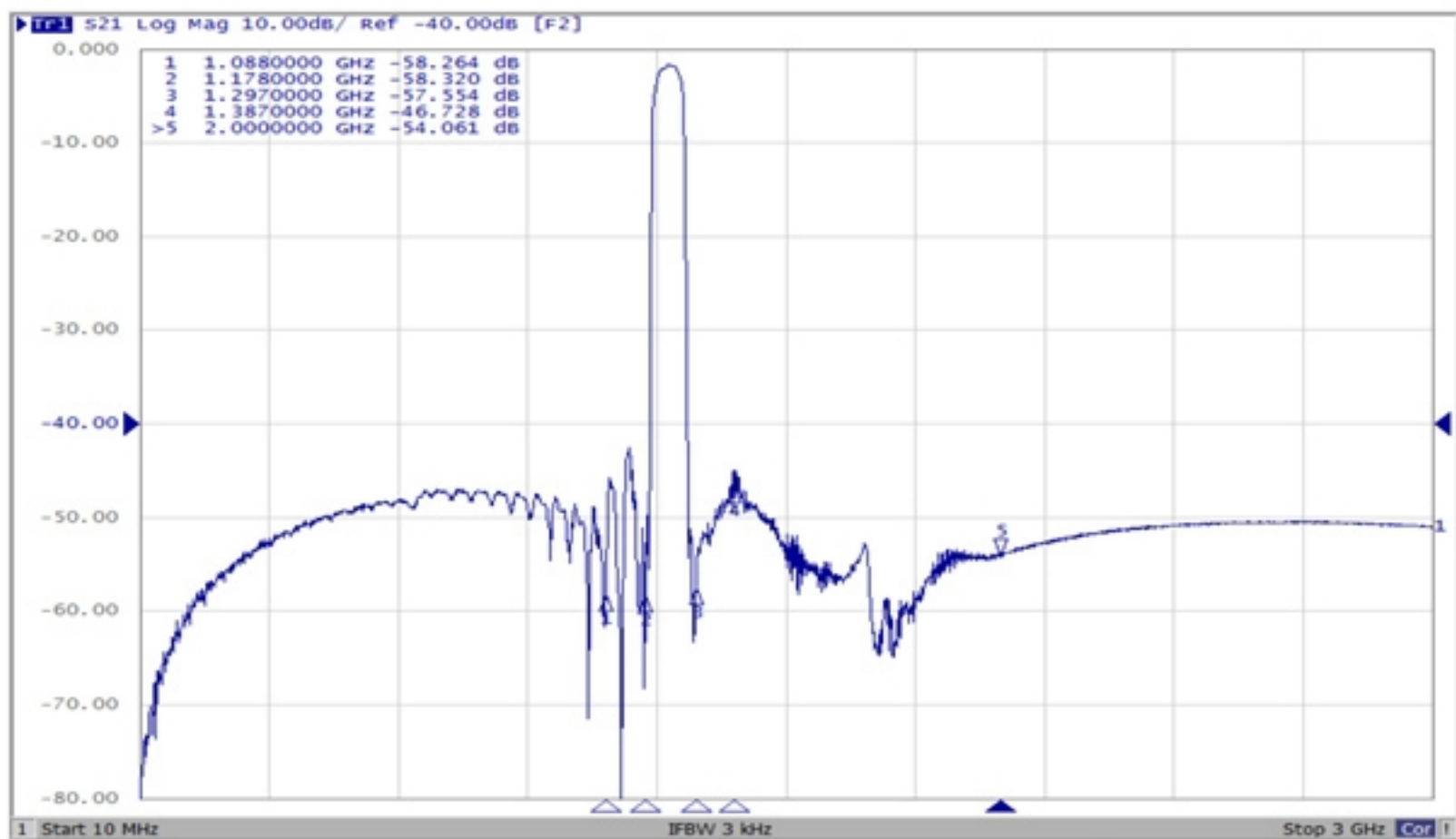
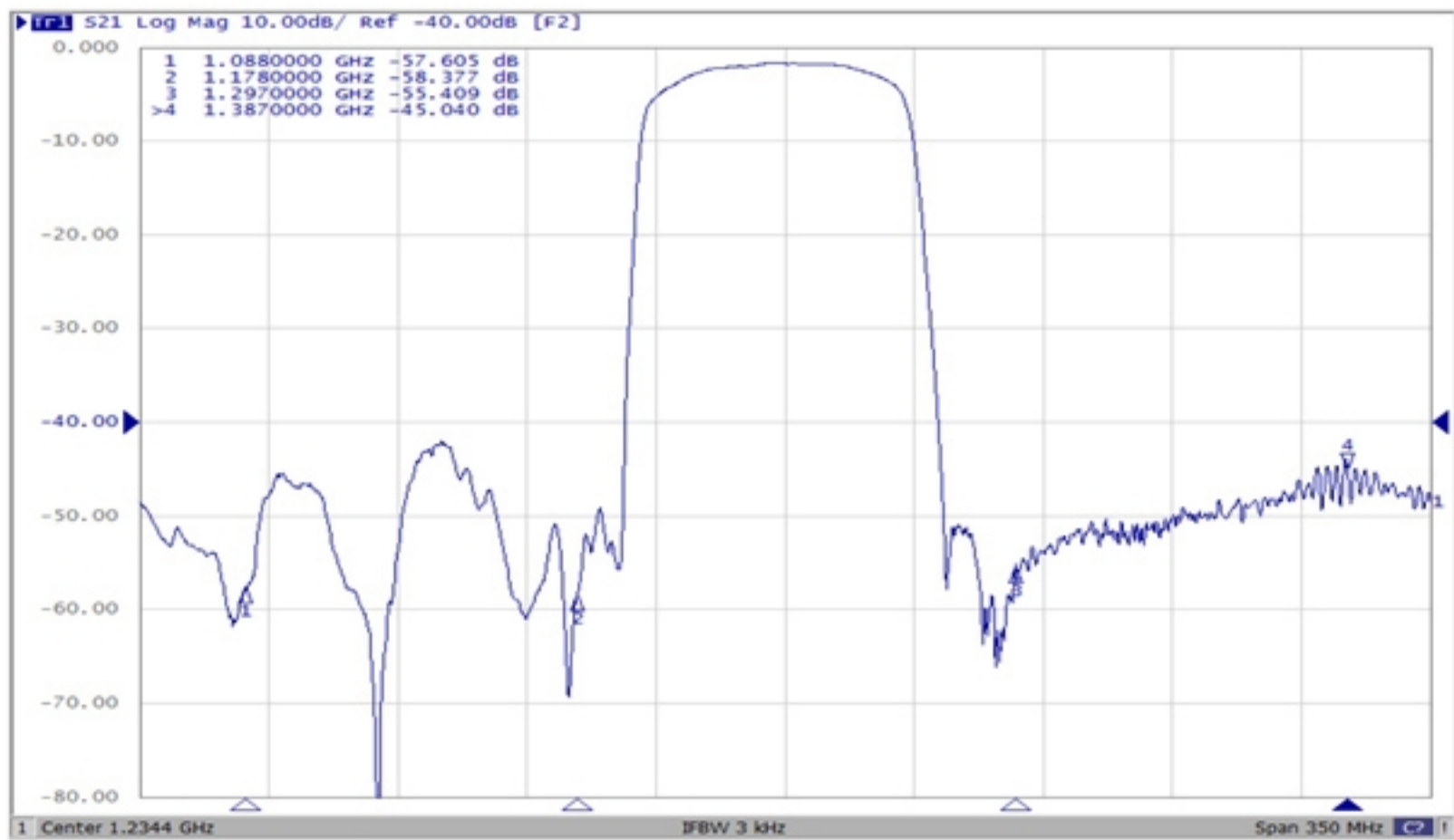
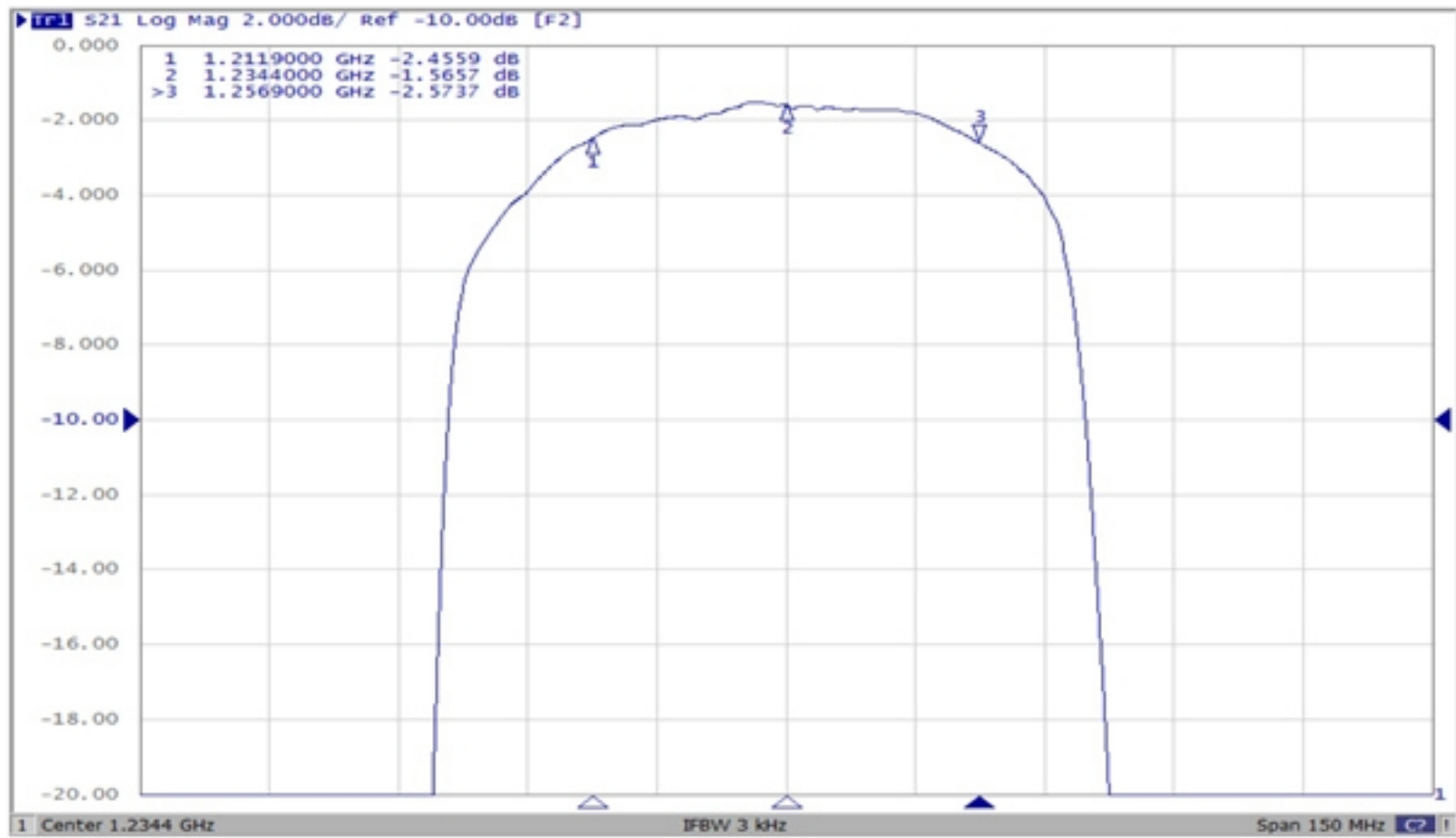
E. PCB Footprint:



■ : Land Pattern

Unit : mm

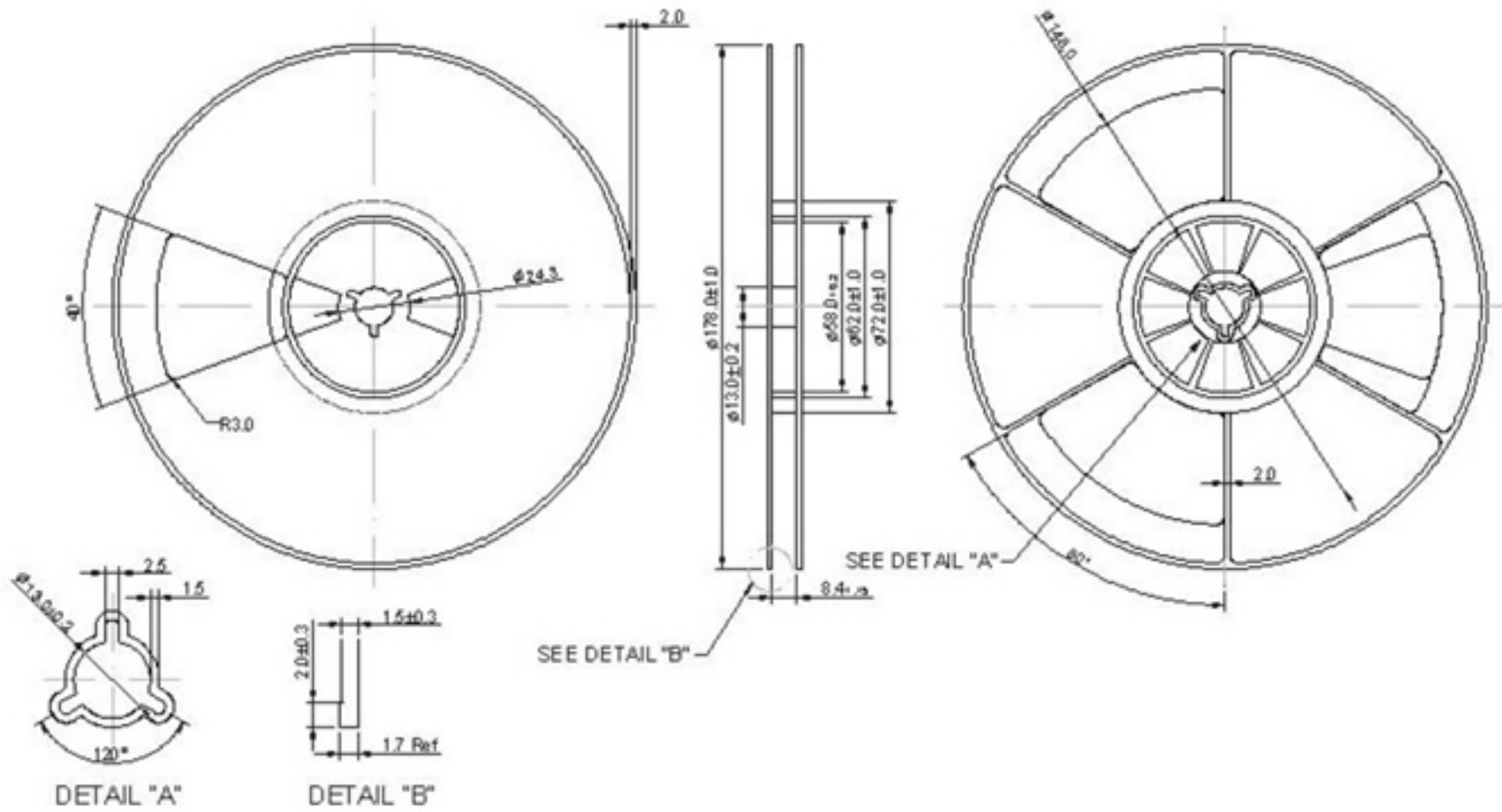
F. Frequency Characteristics:



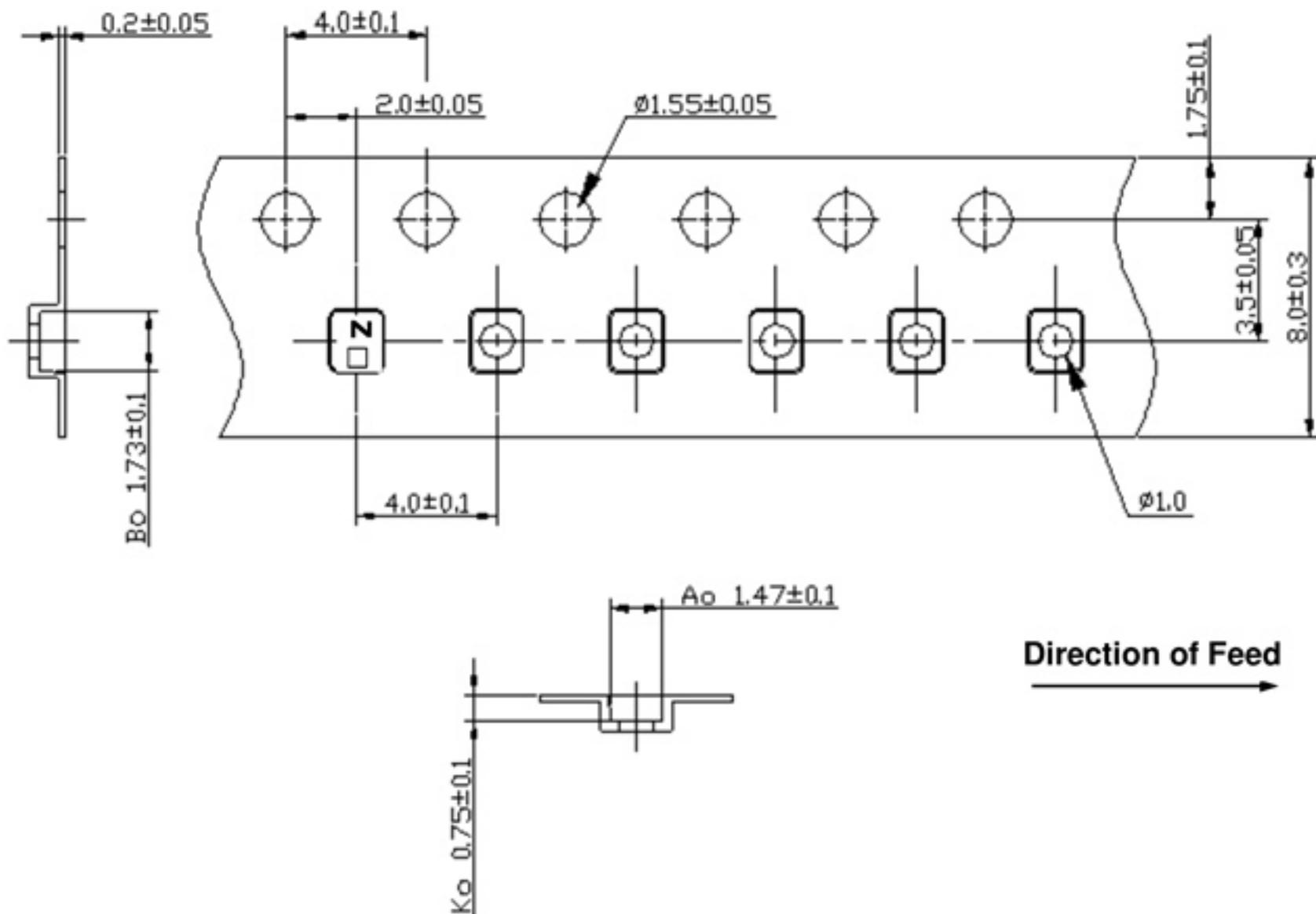
G. PACKING: (Ref. WI-75M03)

1. REEL DIMENSION

(Please refer to FR-75D10 for packing quantity)



2. 2. TAPE DIMENSION



H. Recommended Reflow Profile:

1. Preheating shall be fixed at $150\sim 180^{\circ}\text{C}$ for $60\sim 90$ seconds.
2. Ascending time to preheating temperature 150°C shall be 30 seconds min.
3. Heating shall be fixed at 220°C for $50\sim 80$ seconds and at $260^{\circ}\text{C} +0/-5^{\circ}\text{C}$ peak ($20\sim 40$ sec).
4. Time: 2 times.

