

SAW Filter 1246.5 MHz

MODEL NO.: TA2538A

REV. NO.:1.0

A. MAXIMUM RATING:

1. Input Power Level: 13 dBm
2. DC voltage: 3 V
3. Operating Temperature: -20 °C to +85 °C
4. Storage Temperature: -40 °C to +85 °C
5. Moisture Sensitivity Level: Level 3 (MSL3)

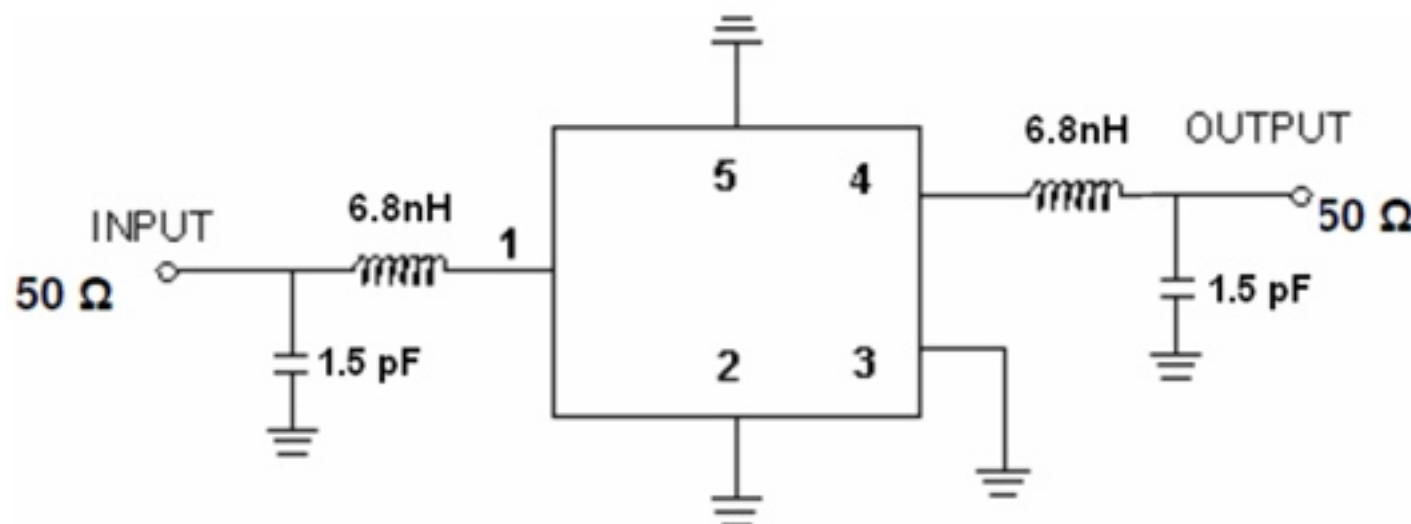
RoHS Compliant
Lead free
Lead-free soldering

Electrostatic Sensitive Device (ESD)

B. ELECTRICAL CHARACTERISTICS:

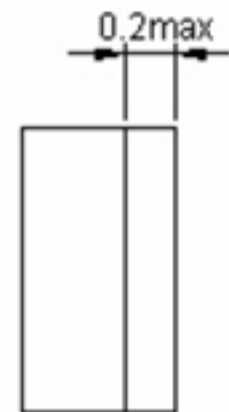
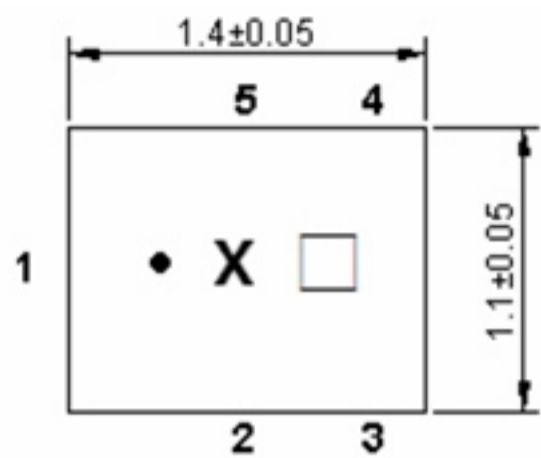
Parameters Description	Unit	Min.	Typ.	Max.	
Center Frequency	Fc	MHz	-	1246.5	-
Insertion Loss (1215~1278 MHz)	IL	dB	-	2.3	2.8
Amplitude Ripple (1215~1278 MHz)		dB	-	0.7	1.4
Attenuation (Reference level from 0 dB)					
996.5 ~ 1170 MHz	dB	24	34	-	
1310 ~ 1496.5 MHz	dB	22	27	-	
Temperature coefficient of frequency	ppm/k	-	-36	-	

C. MEASUREMENT CIRCUIT:

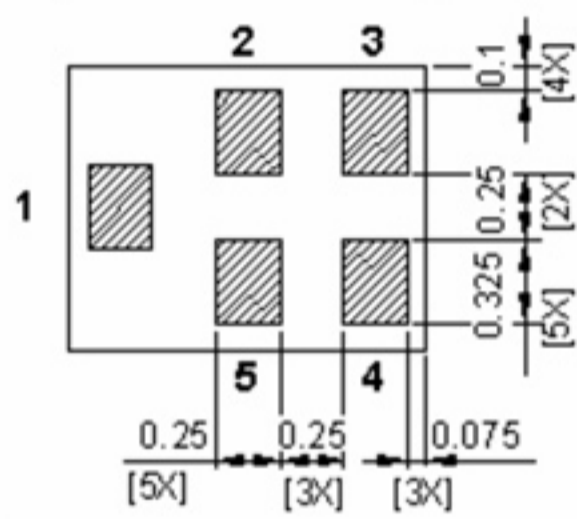


- (1): Unbalance Port
(4): Unbalance Port
Others: Ground

D. OUTLINE DRAWING:



All tolerances are +/-0.05 mm unless otherwise specified
 Coplanarity : 0.1 mm max.
 1 to 5 : Pin No.
 Unit : mm



Pin No.	Symbol	Function
1	IN	Input
2	GND	Ground
3	GND	Ground
4	OUT	Output
5	GND	Ground

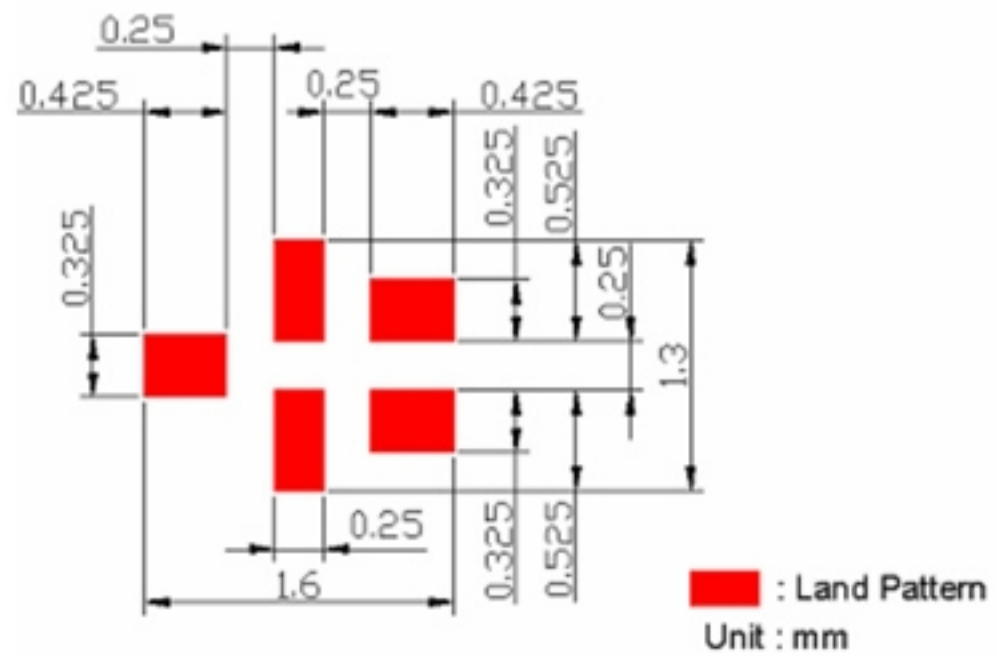
Index: ●

Marking name: x (small letter)

□ : Year/Month Code (Follow the table)

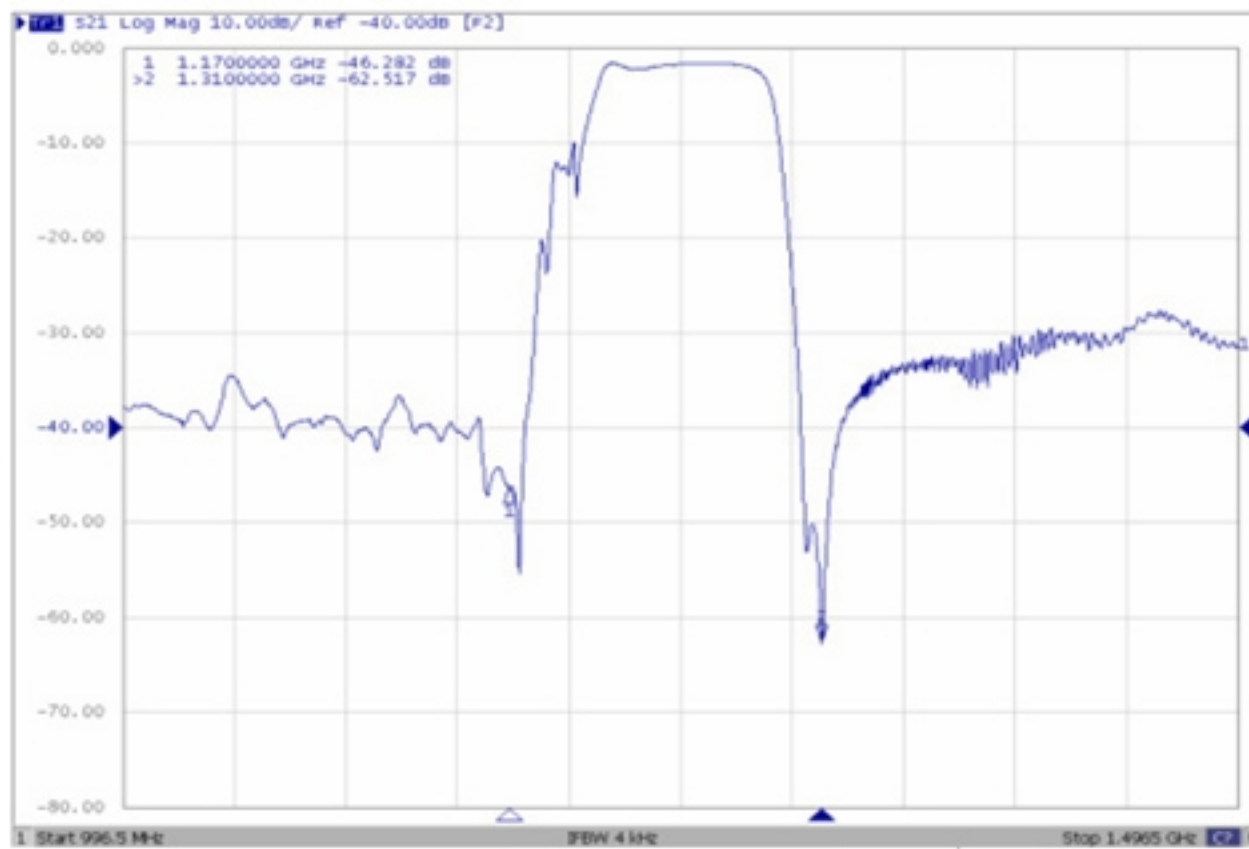
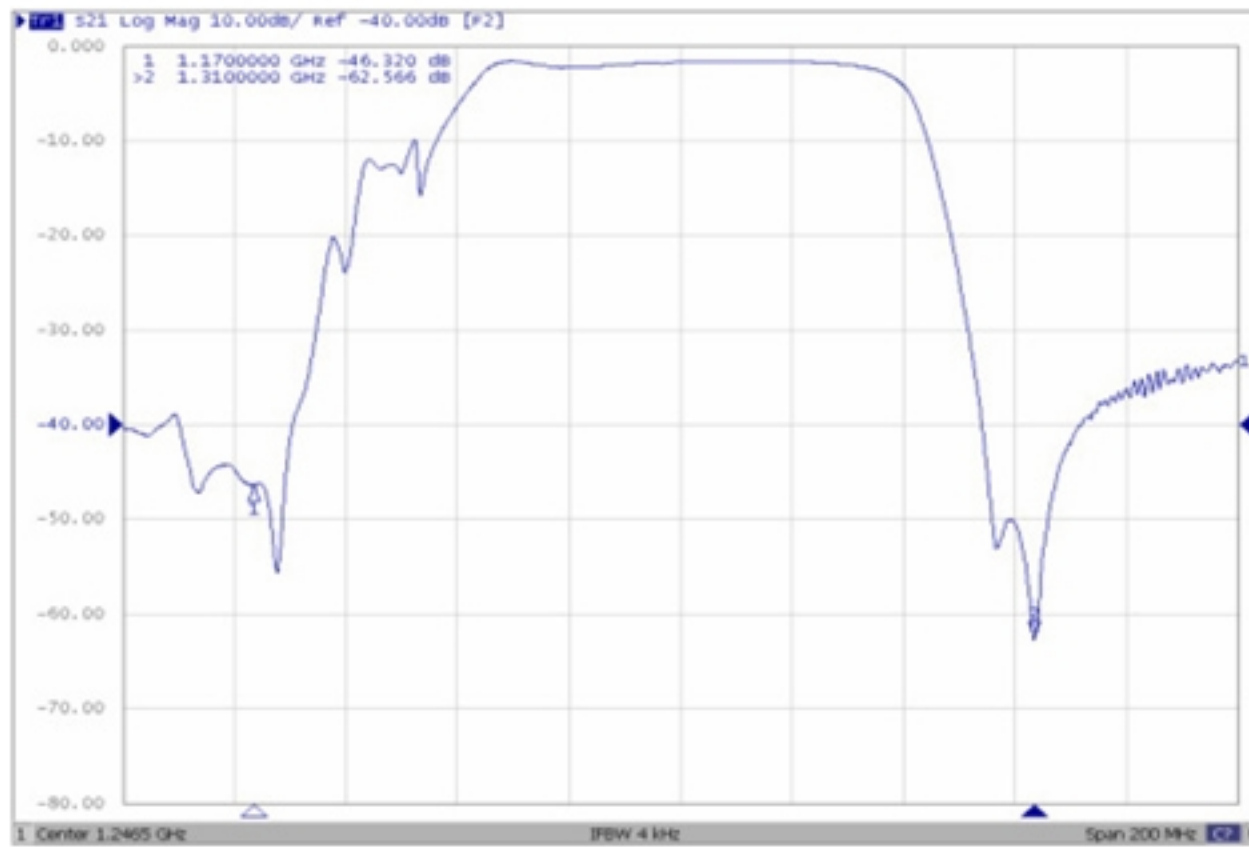
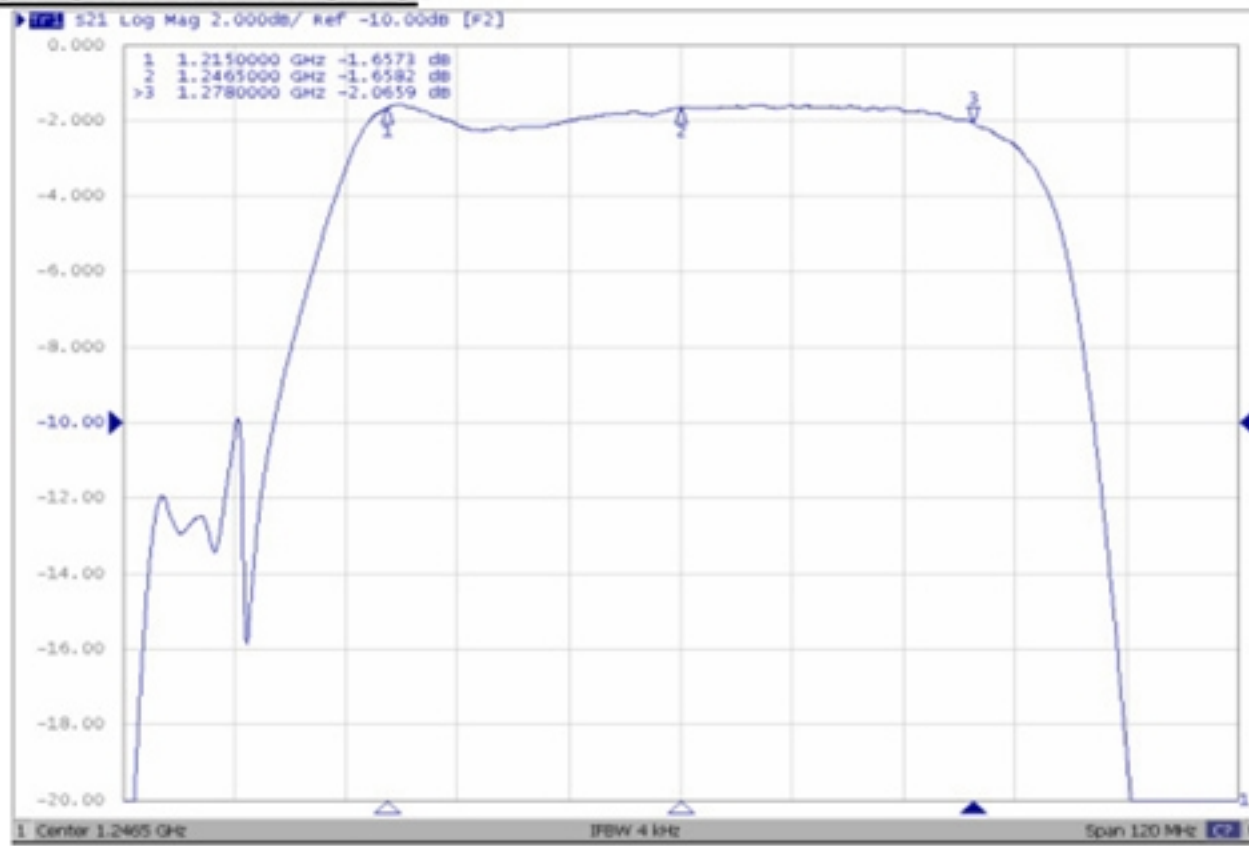
YEAR/Month	1	2	3	4	5	6	7	8	9	10	11	12
2013	A	B	C	D	E	F	G	H	J	K	L	M
2014	N	P	Q	R	S	T	U	V	W	X	Y	Z
2015	a	b	c	d	e	f	g	h	j	k	l	m
2016	n	p	q	r	s	t	u	v	w	x	y	z
2017	<u>A</u>	<u>B</u>	<u>C</u>	<u>D</u>	<u>E</u>	<u>F</u>	<u>G</u>	<u>H</u>	<u>J</u>	<u>K</u>	<u>L</u>	<u>M</u>
2018	<u>N</u>	<u>P</u>	<u>Q</u>	<u>R</u>	<u>S</u>	<u>T</u>	<u>U</u>	<u>V</u>	<u>W</u>	<u>X</u>	<u>Y</u>	<u>Z</u>
2019	<u>a</u>	<u>b</u>	<u>c</u>	<u>d</u>	<u>e</u>	<u>f</u>	<u>g</u>	<u>h</u>	<u>i</u>	<u>k</u>	<u>l</u>	<u>m</u>
2020	<u>n</u>	<u>p</u>	<u>q</u>	<u>r</u>	<u>s</u>	<u>t</u>	<u>u</u>	<u>v</u>	<u>w</u>	<u>x</u>	<u>y</u>	<u>z</u>

E. PCB Footprint:



■ : Land Pattern
 Unit : mm

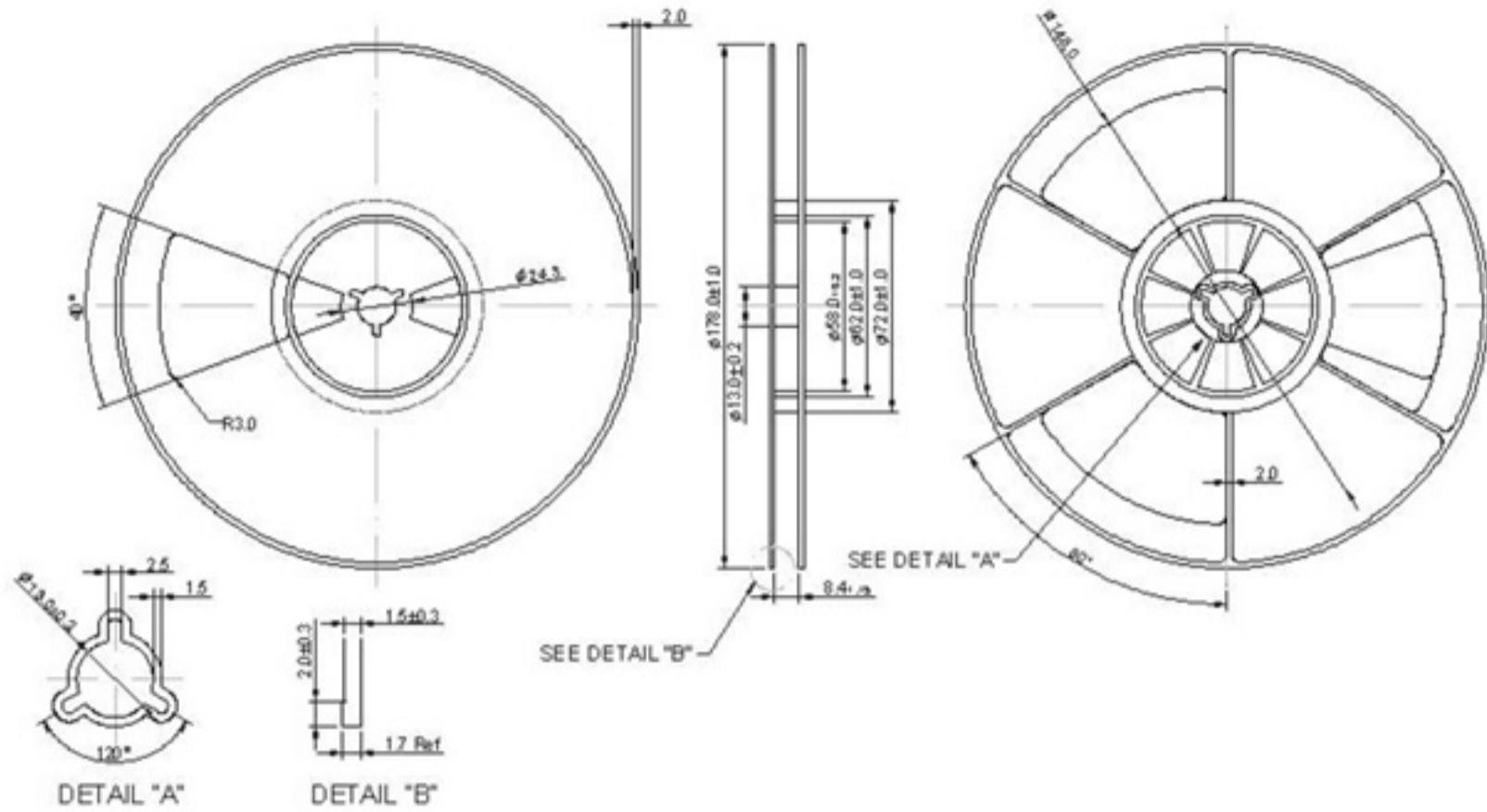
F. FREQUENCY CHARACTERISTIC:



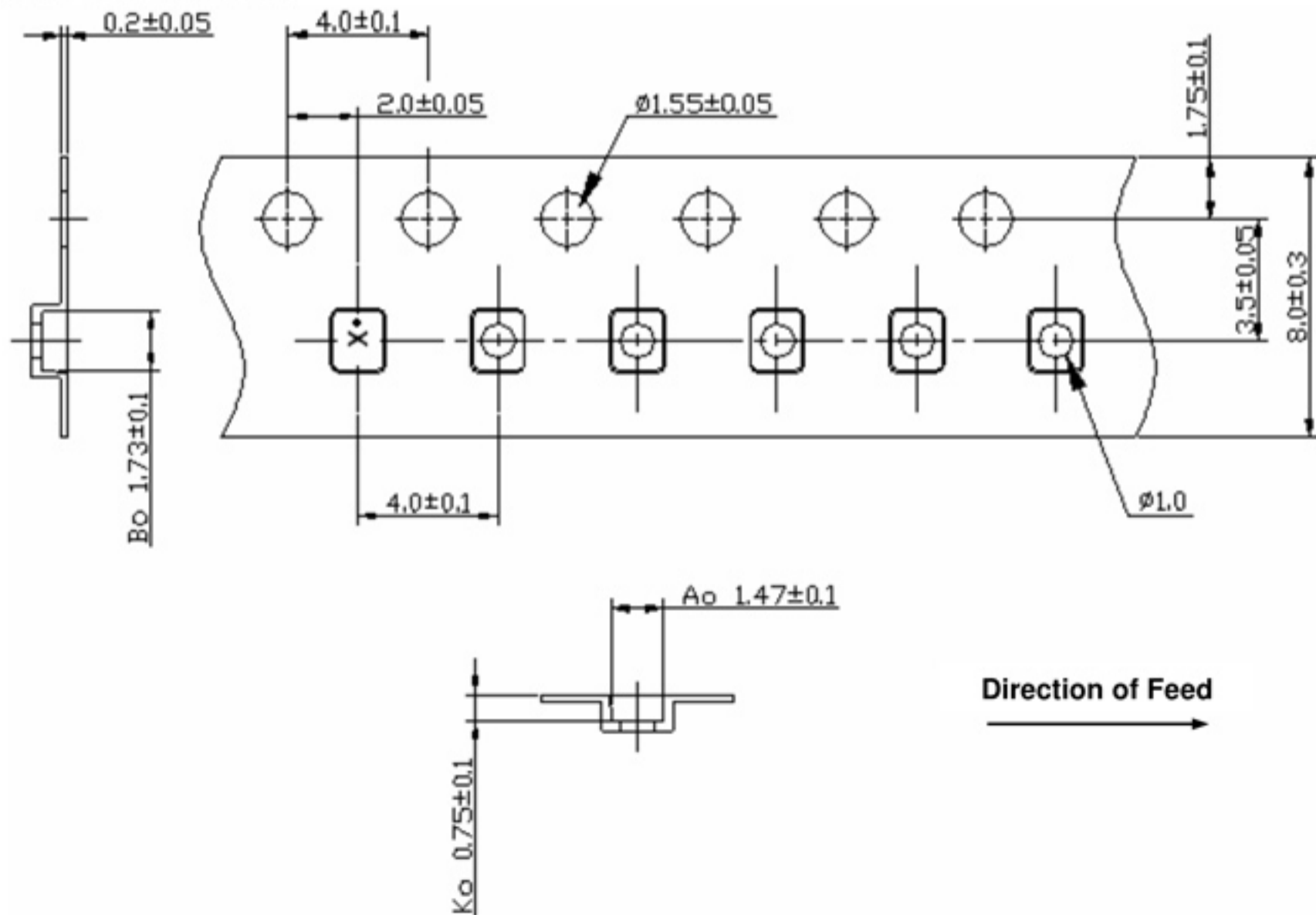
G PACKING: (Ref: WI-75M03)

1. REEL DIMENSION

(Please refer to FR-75D10 for packing quantity)



2. TAPE DIMENSION



H. RECOMMENDED REFLOW PROFILE:

1. Preheating shall be fixed at $150\sim 180^{\circ}\text{C}$ for $60\sim 90$ seconds.
2. Ascending time to preheating temperature 150°C shall be 30 seconds min.
3. Heating shall be fixed at 220°C for $50\sim 80$ seconds and at $260^{\circ}\text{C} +0/-5^{\circ}\text{C}$ peak ($20\sim 40$ sec).
4. Time: 2 times.

