

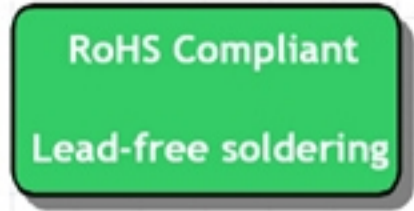
SAW Filter 1260 MHz

MODEL NO.: TA2662A

REV. NO.:1

A. MAXIMUM RATING:

1. Input Power Level: 10 dBm
2. DC Voltage : 3 V
3. Operating Temperature: -40°C to +105°C
4. Storage Temperature: -40°C to +105°C
5. Moisture Sensitivity Level: Level 3(**MSL 3**)

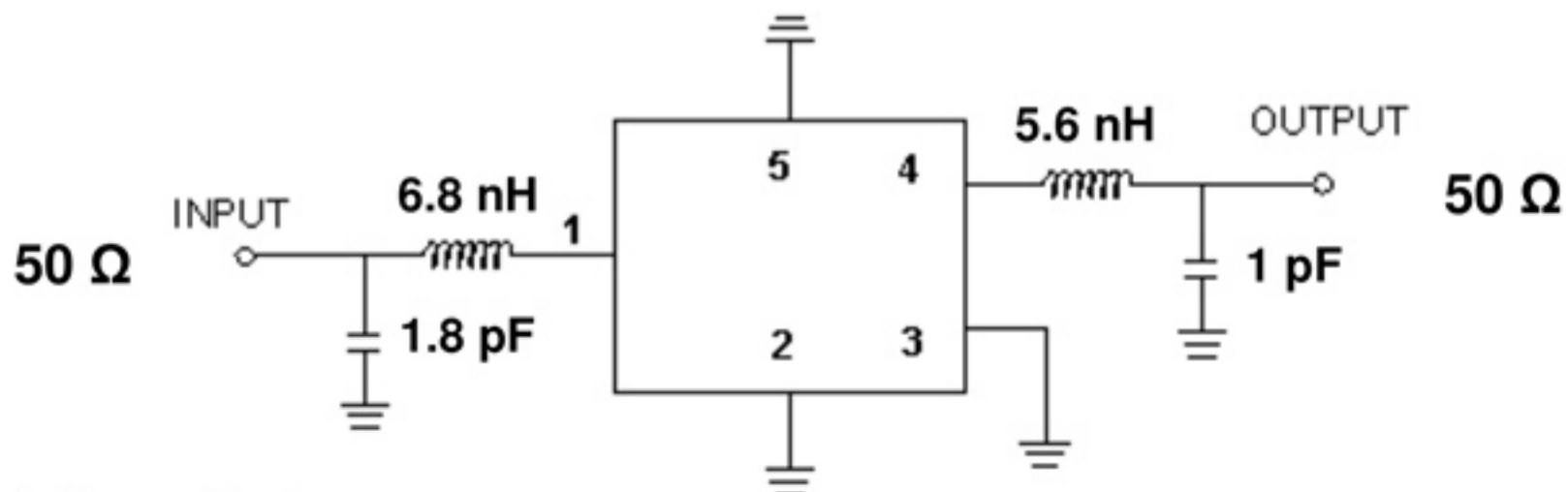


Electrostatic Sensitive Device (ESD)

B. ELECTRICAL CHARACTERISTICS:

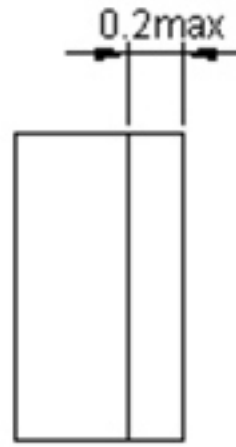
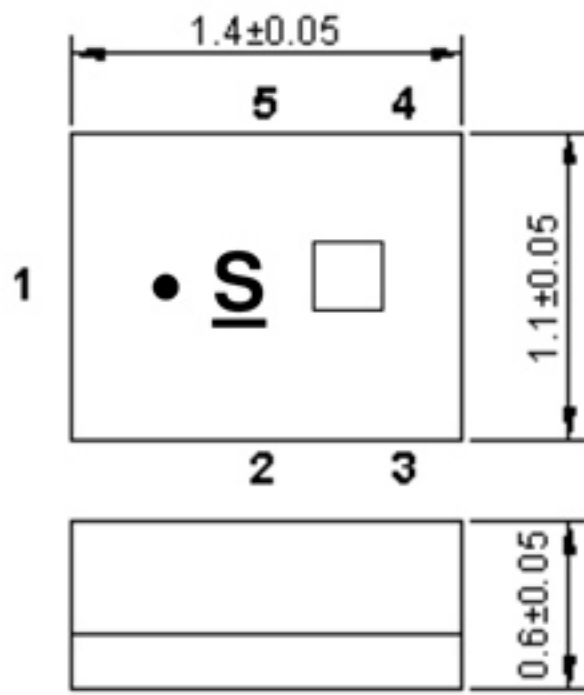
Item	Unit	Min.	Typ.	Max.	
Center frequency	Fc	MHz	-	1260	-
Insertion loss (1236~1284 MHz)	IL	dB	-	1.9	3.5
Amplitude Ripple (1236~1284 MHz)		dB	-	0.3	1.8
Amplitude Ripple (1236~1284 MHz) (over any 25 MHz span)		dB	-	0.3	1.0
Attenuation (Reference level from 0 dB)					
100 ~ 1140 MHz		dB	30	35	-
1140 ~ 1206 MHz		dB	10	15	-
1314 ~ 1330 MHz		dB	10	41	-
1330 ~ 1850 MHz		dB	22	26	-
1850 ~ 3000 MHz		dB	30	40	-
Temperature coefficient of frequency		ppm/k	-	-36	-

C. MEASUREMENT CIRCUIT:



- (1): Unbalance Port
- (4): Unbalance Port
- Others: Ground

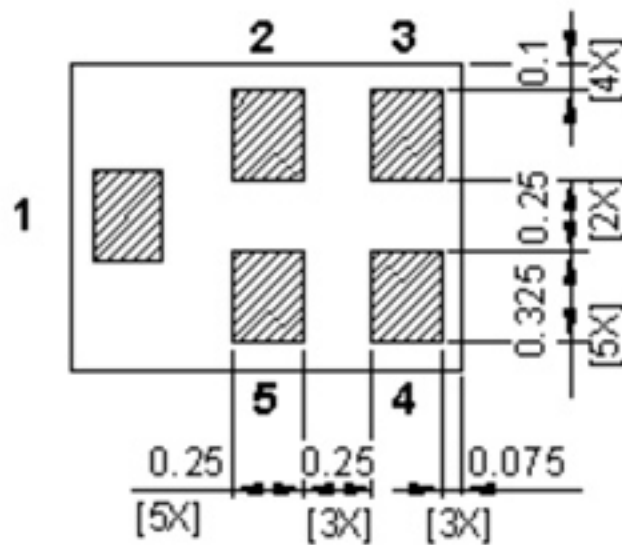
D. OUTLINE DRAWING:



All tolerances are +/-0.05 mm unless otherwise specified
Coplanarity : 0.1 mm max.

1 to 5 : Pin No.

Unit : mm

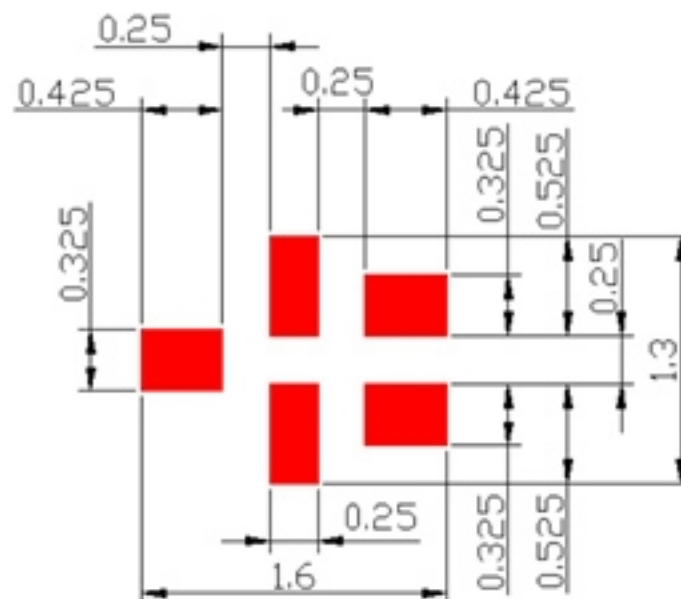


Pin No.	Symbol	Function
1	IN	Input
2	GND	Ground
3	GND	Ground
4	OUT	Output
5	GND	Ground

□ : Year/Month Code (Follow the table)

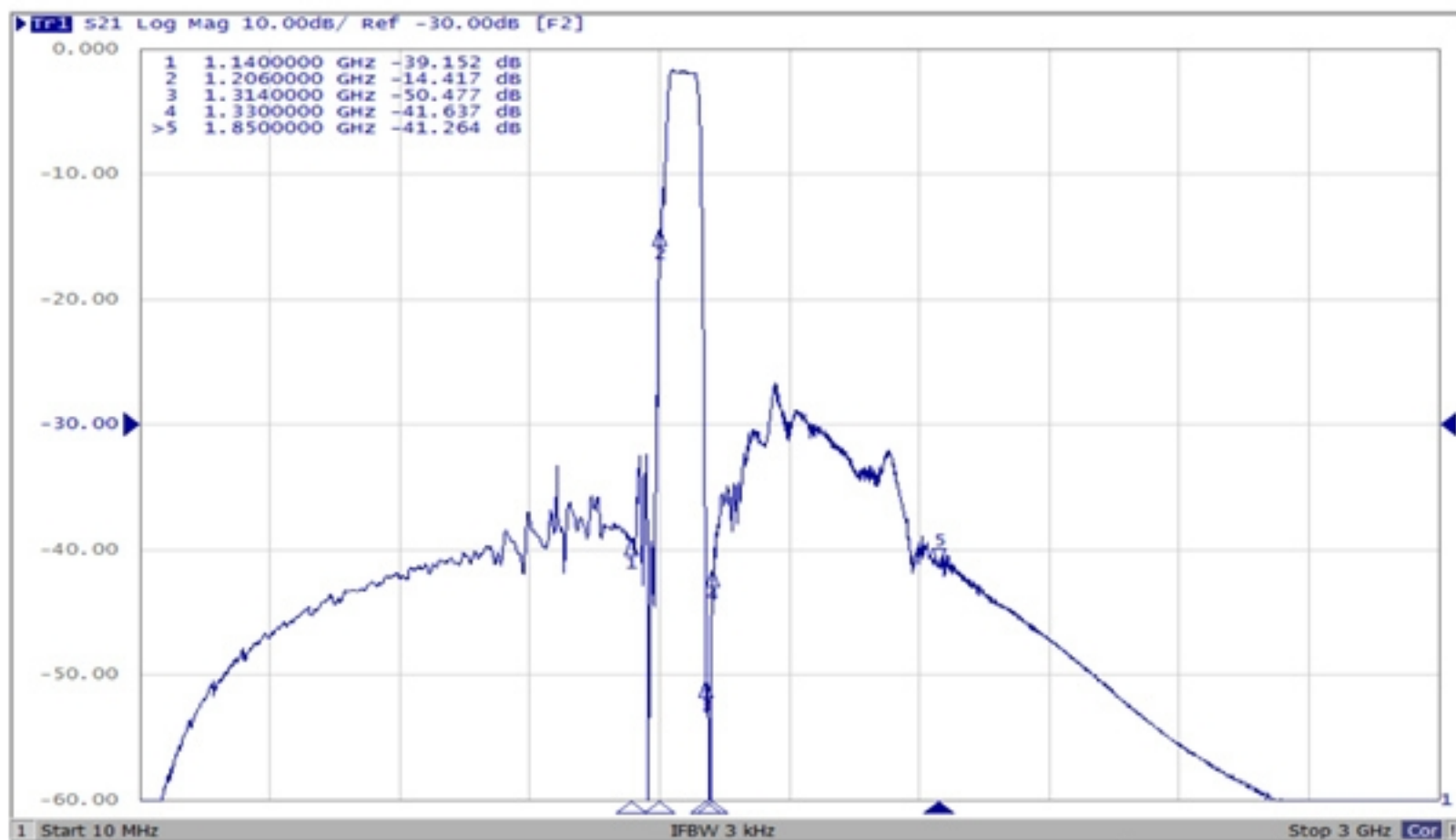
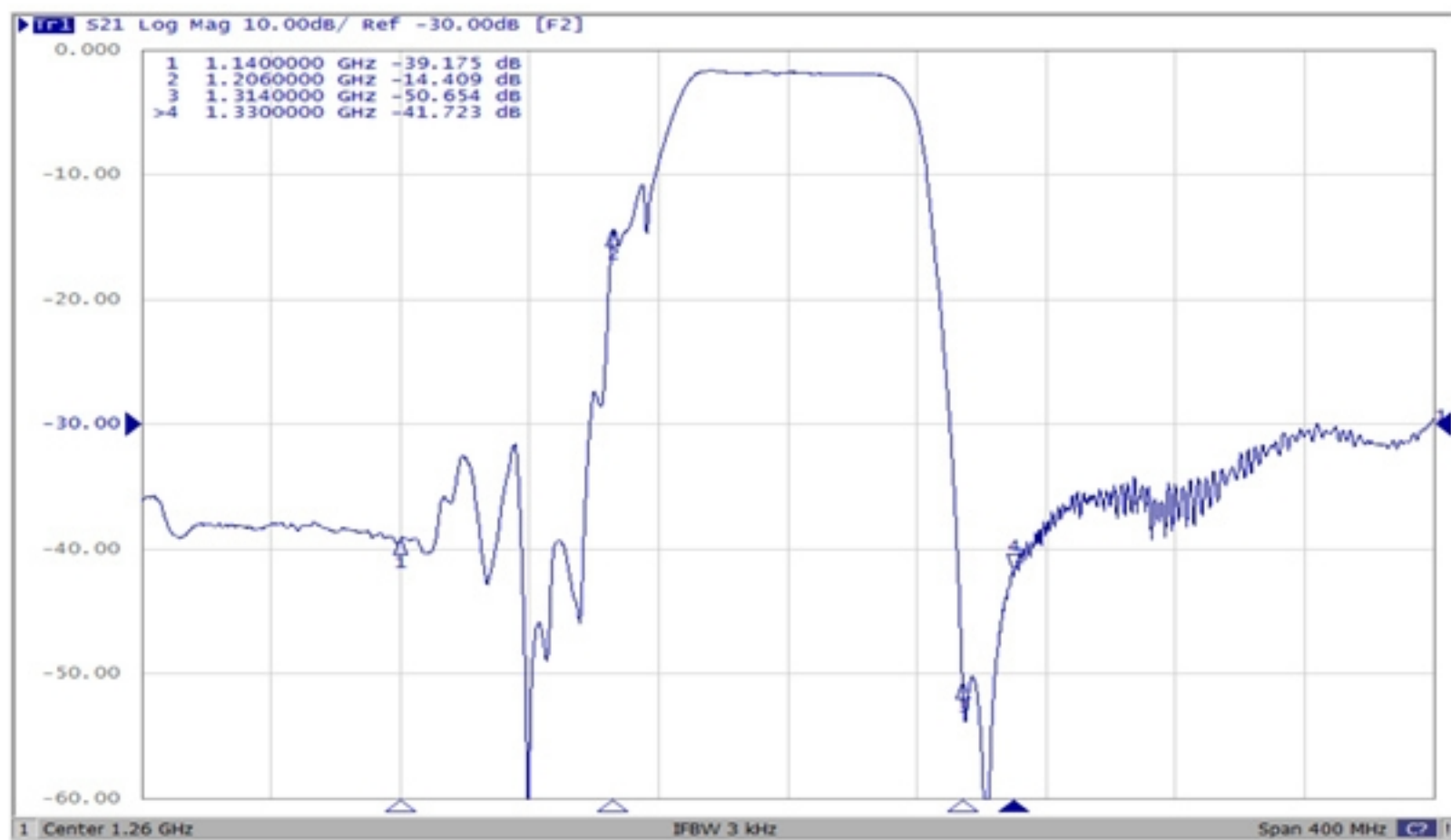
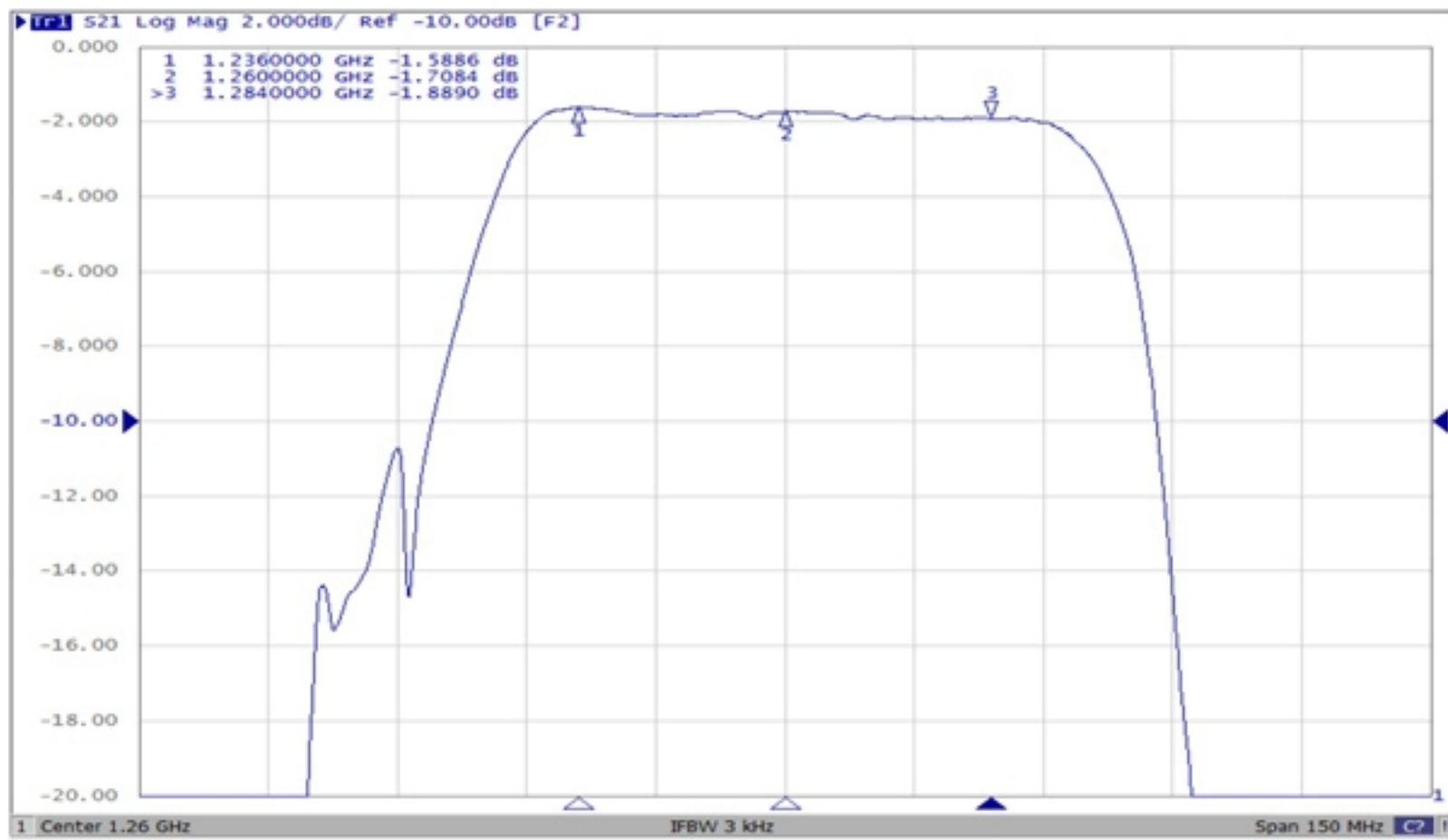
YEAR/Month	1	2	3	4	5	6	7	8	9	10	11	12
2017	<u>A</u>	<u>B</u>	<u>C</u>	<u>D</u>	<u>E</u>	<u>F</u>	<u>G</u>	<u>H</u>	<u>J</u>	<u>K</u>	<u>L</u>	<u>M</u>
2018	<u>N</u>	<u>P</u>	<u>Q</u>	<u>R</u>	<u>S</u>	<u>T</u>	<u>U</u>	<u>V</u>	<u>W</u>	<u>X</u>	<u>Y</u>	<u>Z</u>
2019	<u>a</u>	<u>b</u>	<u>c</u>	<u>d</u>	<u>e</u>	<u>f</u>	<u>g</u>	<u>h</u>	<u>i</u>	<u>k</u>	<u>l</u>	<u>m</u>
2020	<u>n</u>	<u>p</u>	<u>q</u>	<u>r</u>	<u>s</u>	<u>t</u>	<u>u</u>	<u>v</u>	<u>w</u>	<u>x</u>	<u>y</u>	<u>z</u>
2021	<u>A</u>	<u>B</u>	<u>C</u>	<u>D</u>	<u>E</u>	<u>F</u>	<u>G</u>	<u>H</u>	<u>J</u>	<u>K</u>	<u>L</u>	<u>M</u>
2022	<u>N</u>	<u>P</u>	<u>Q</u>	<u>R</u>	<u>S</u>	<u>T</u>	<u>U</u>	<u>V</u>	<u>W</u>	<u>X</u>	<u>Y</u>	<u>Z</u>
2023	<u>a</u>	<u>b</u>	<u>c</u>	<u>d</u>	<u>e</u>	<u>f</u>	<u>g</u>	<u>h</u>	<u>j</u>	<u>k</u>	<u>l</u>	<u>m</u>
2024	<u>n</u>	<u>p</u>	<u>q</u>	<u>r</u>	<u>s</u>	<u>t</u>	<u>u</u>	<u>v</u>	<u>w</u>	<u>x</u>	<u>y</u>	<u>z</u>

E. PCB Footprint:



■ : Land Pattern
Unit : mm

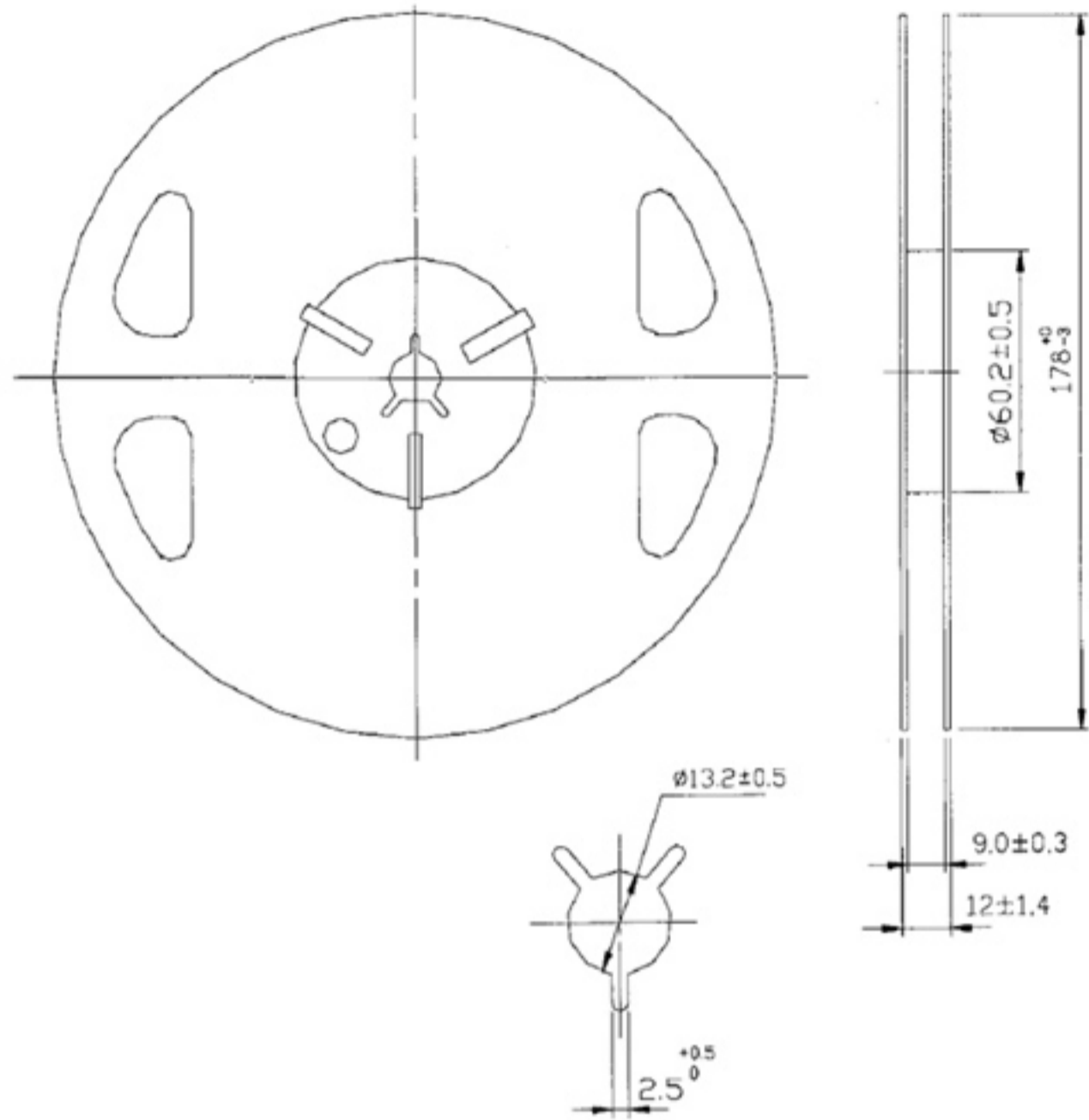
F. Frequency Characteristics:



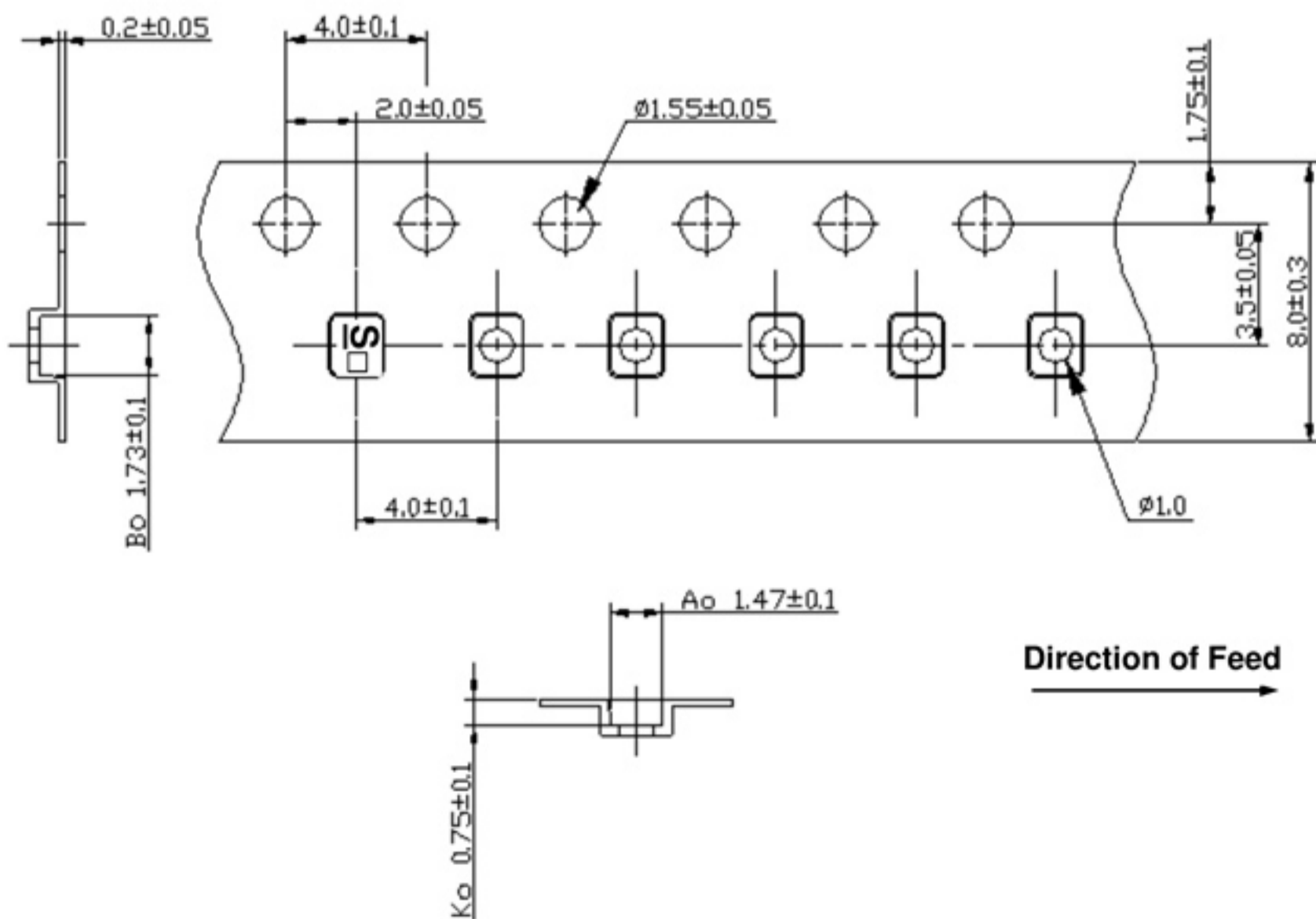
G. PACKING: (Ref. WI-75M03)

1. REEL DIMENSION

(Please refer to FR-75D10 for packing quantity)



2. TAPE DIMENSION



H. Recommended Reflow Profile:

1. Preheating shall be fixed at $150\sim 180^{\circ}\text{C}$ for 60~90 seconds.
2. Ascending time to preheating temperature 150°C shall be 30 seconds min.
3. Heating shall be fixed at 220°C for 50~80 seconds and at $260^{\circ}\text{C} \pm 5^{\circ}\text{C}$ peak (20~40sec).
4. Time: 2 times.

