

SAW Filter 1583 MHz SMD 3.0X3.0 mm (BW 48 MHz)

MODEL NO.:TE0142F

REV. NO.:1.0

A. MAXIMUM RATING:

1. Input Power Level: 10 dB_m
2. DC voltage: 3 V
3. Operating Temperature: : -30 °C to +70 °C
4. Storage Temperature: -40 °C to +85 °C
5. Moisture Sensitivity Level: Level 1 (MSL1)

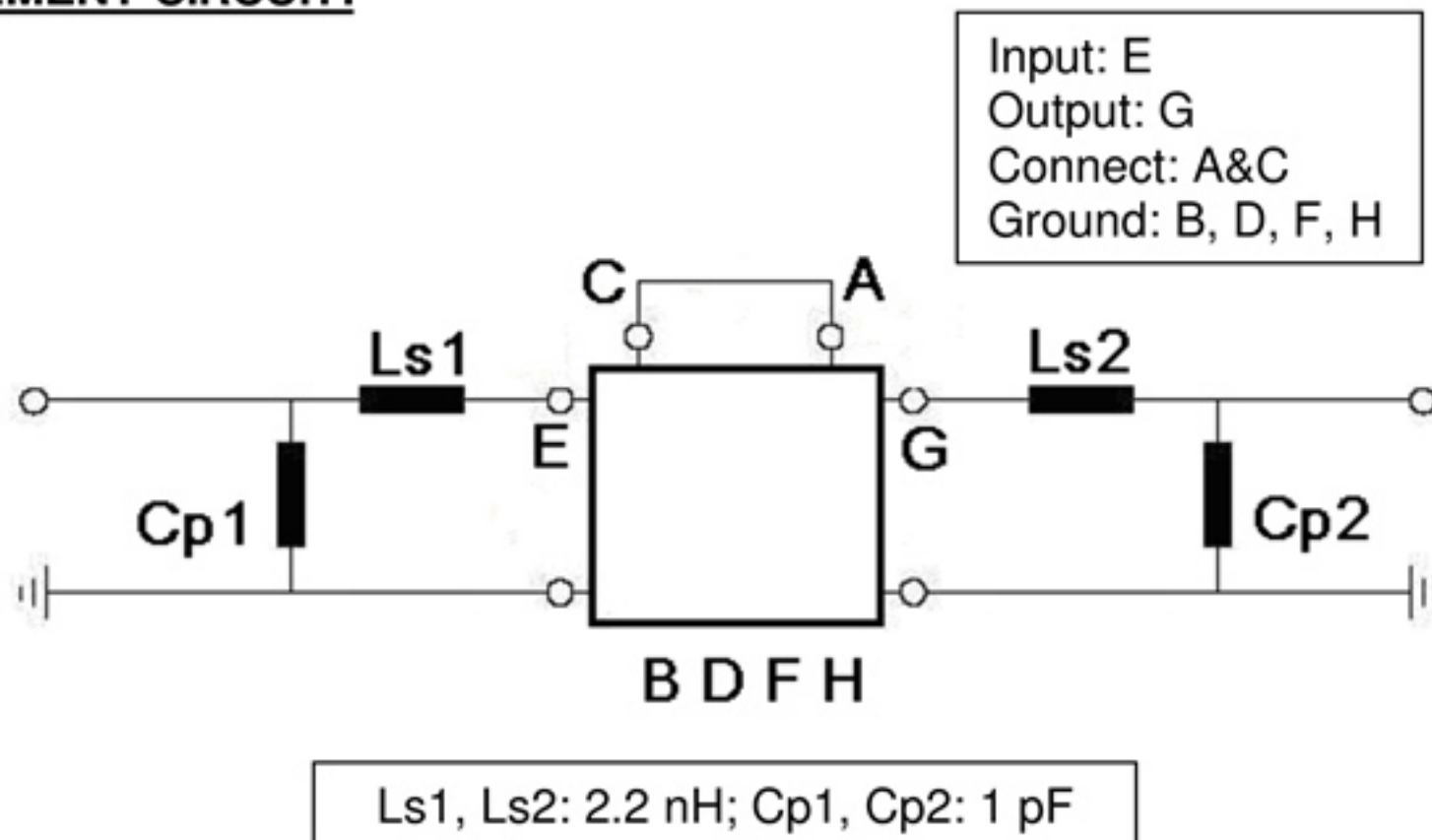
RoHS Compliant
Lead free
Lead-free soldering

Electrostatic Sensitive Device

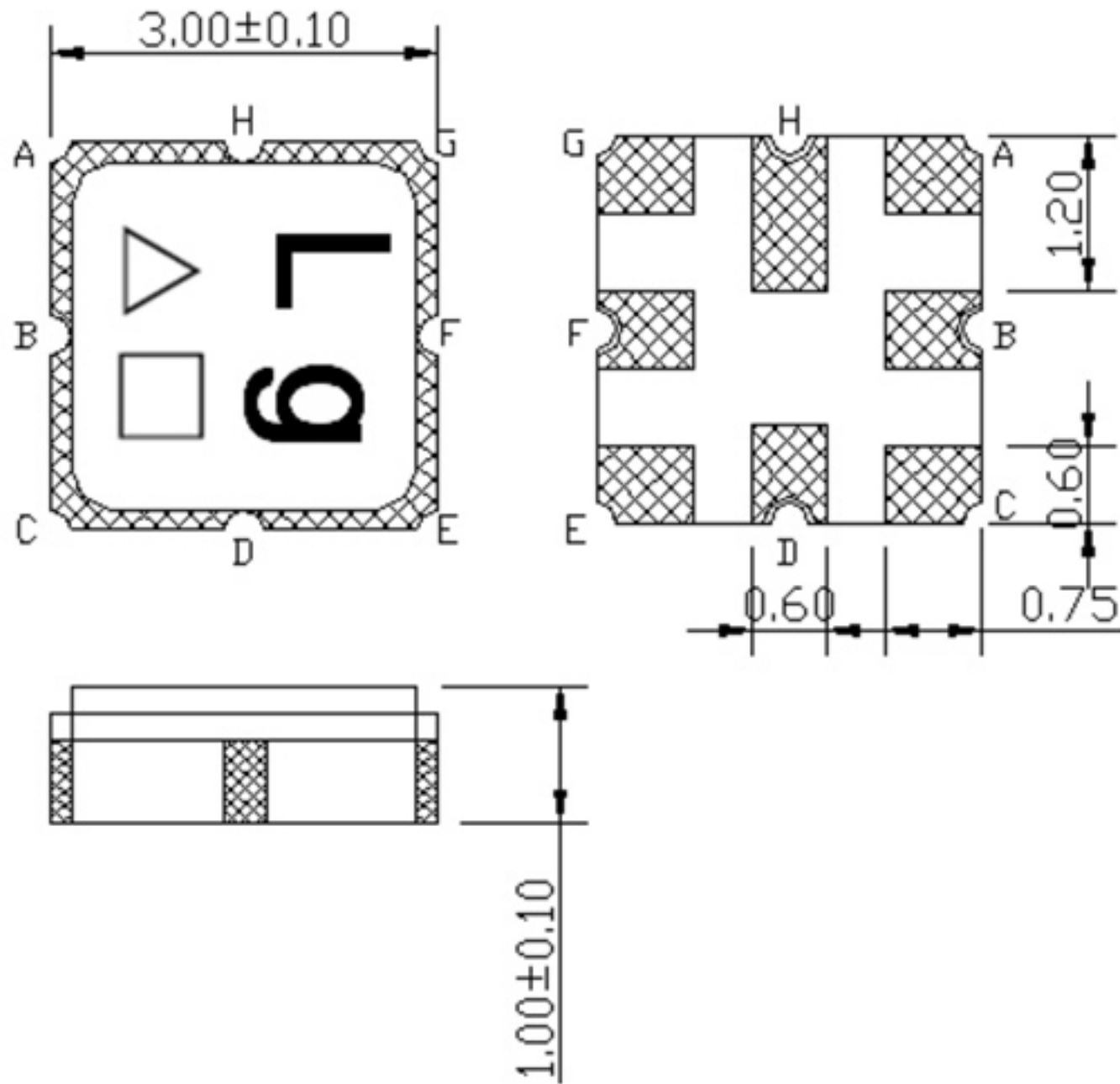
B. ELECTRICAL CHARACTERISTICS:

Item	Unit	Min.	Typ.	Max.
Center Frequency	MHz	-	1583	-
Maximum Insertion Loss				
689 ~ 960 MHz	dB	-	1.0	2.0
1710 ~ 1805 MHz	dB	-	1.2	2.5
1805 ~ 2170 MHz	dB	-	2.5	3.0
2300 ~ 2690 MHz	dB	-	3.5	4.0
Attenuation (Reference level from 0 dB)				
1559 ~ 1607 MHz	dB	14	15	-
Temperature Coefficient of Frequency	ppm/k	-	-75	-

C. MEASUREMENT CIRCUIT:



D. OUTLINE DRAWING:



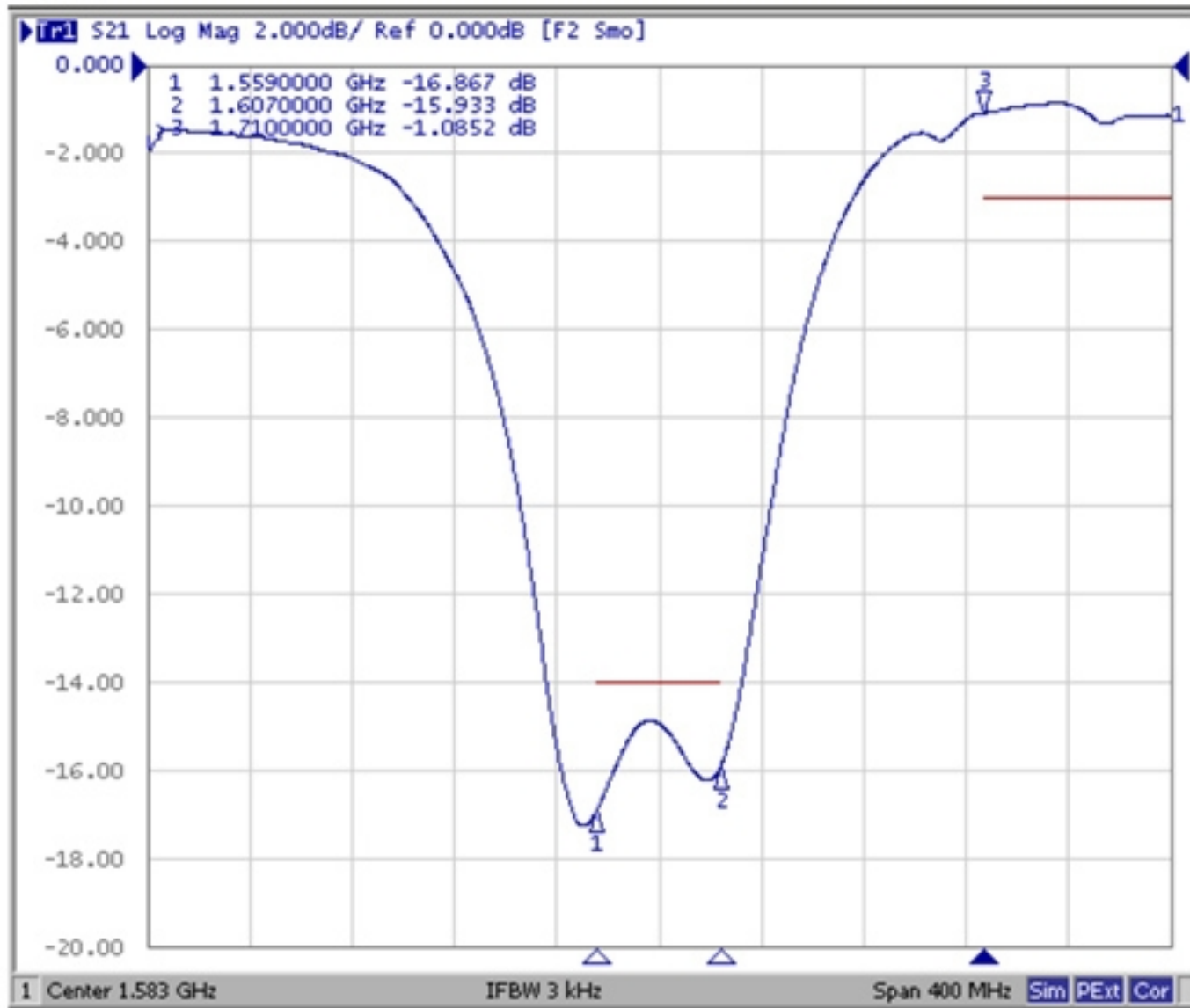
△ : Year Code (2009->9, 2010->0, ..., 2018->8)

□ : Date Code (Follow the table from planner each year)

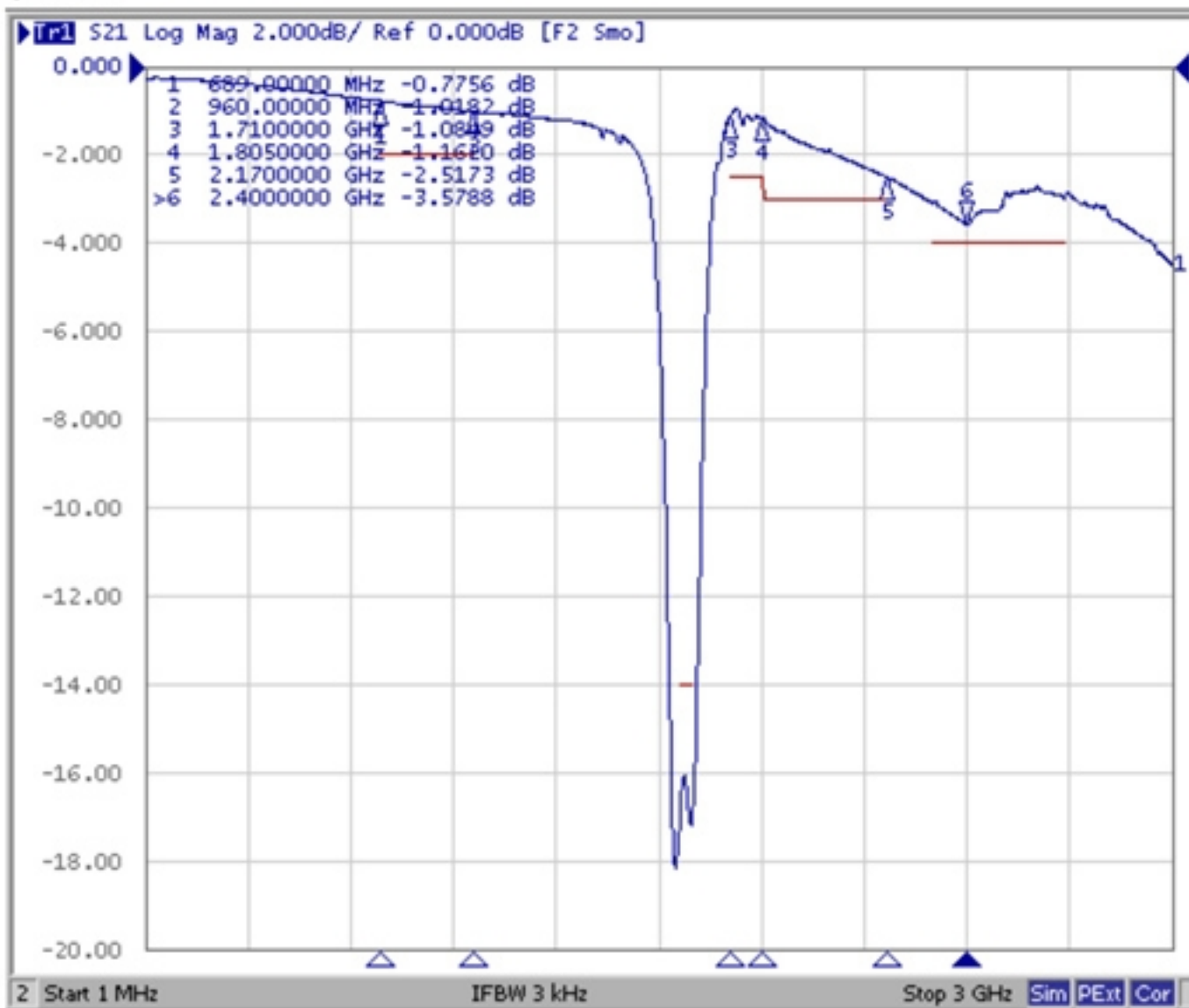
WK01	WK02	WK03	WK04	WK05	WK06	WK07	WK08	WK09	WK10	WK11	WK12	WK13
A	B	C	D	E	F	G	H	I	J	K	L	M
WK14	WK15	WK16	WK17	WK18	WK19	WK20	WK21	WK22	WK23	WK24	WK25	WK26
N	O	P	Q	R	S	T	U	V	W	X	Y	Z
WK27	WK28	WK29	WK30	WK31	WK32	WK33	WK34	WK35	WK36	WK37	WK38	WK39
a	b	c	d	e	f	g	h	i	j	k	l	m
WK40	WK41	WK42	WK43	WK44	WK45	WK46	WK47	WK48	WK49	WK50	WK51	WK52
n	o	p	q	r	s	t	u	v	w	x	y	z

E. Frequency Characteristics :

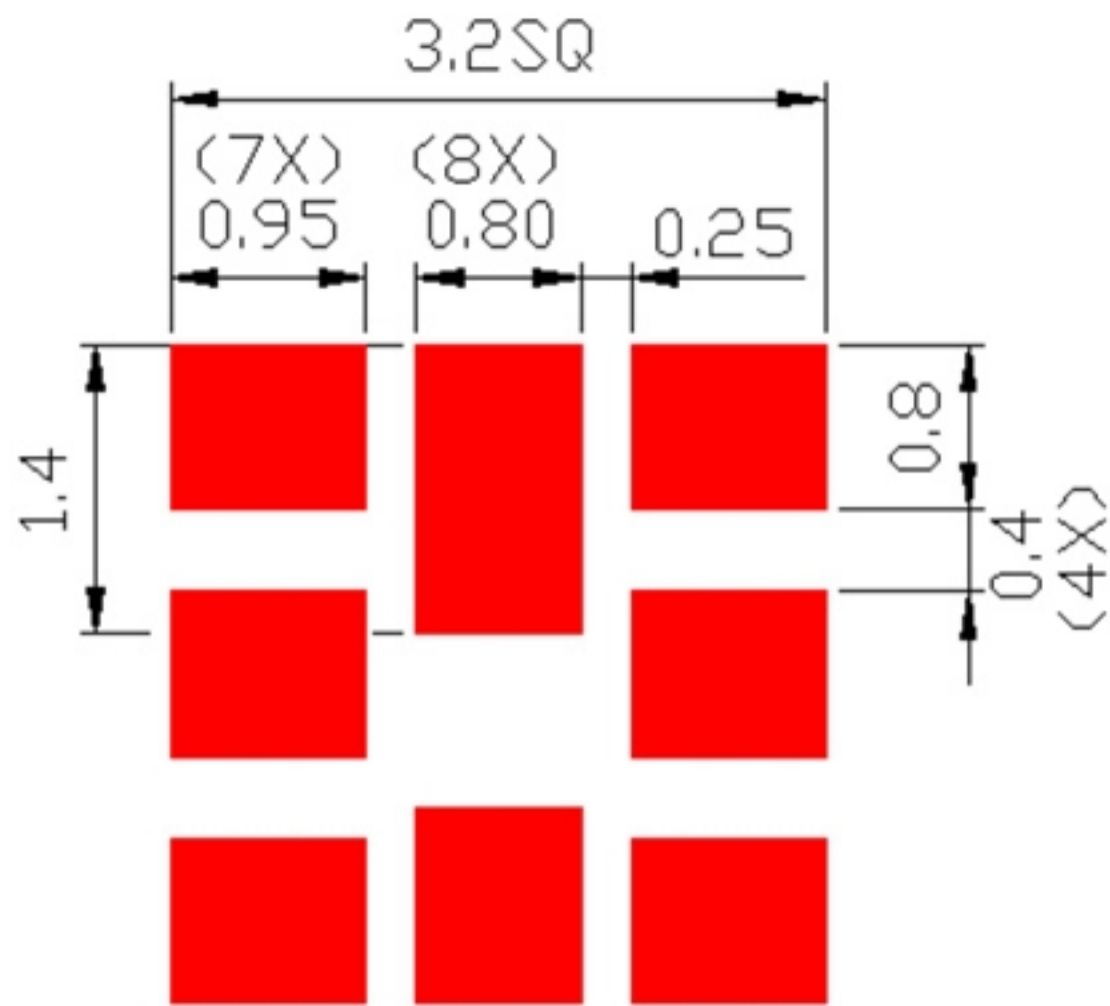
Span 400 MHz



Span 3000 MHz

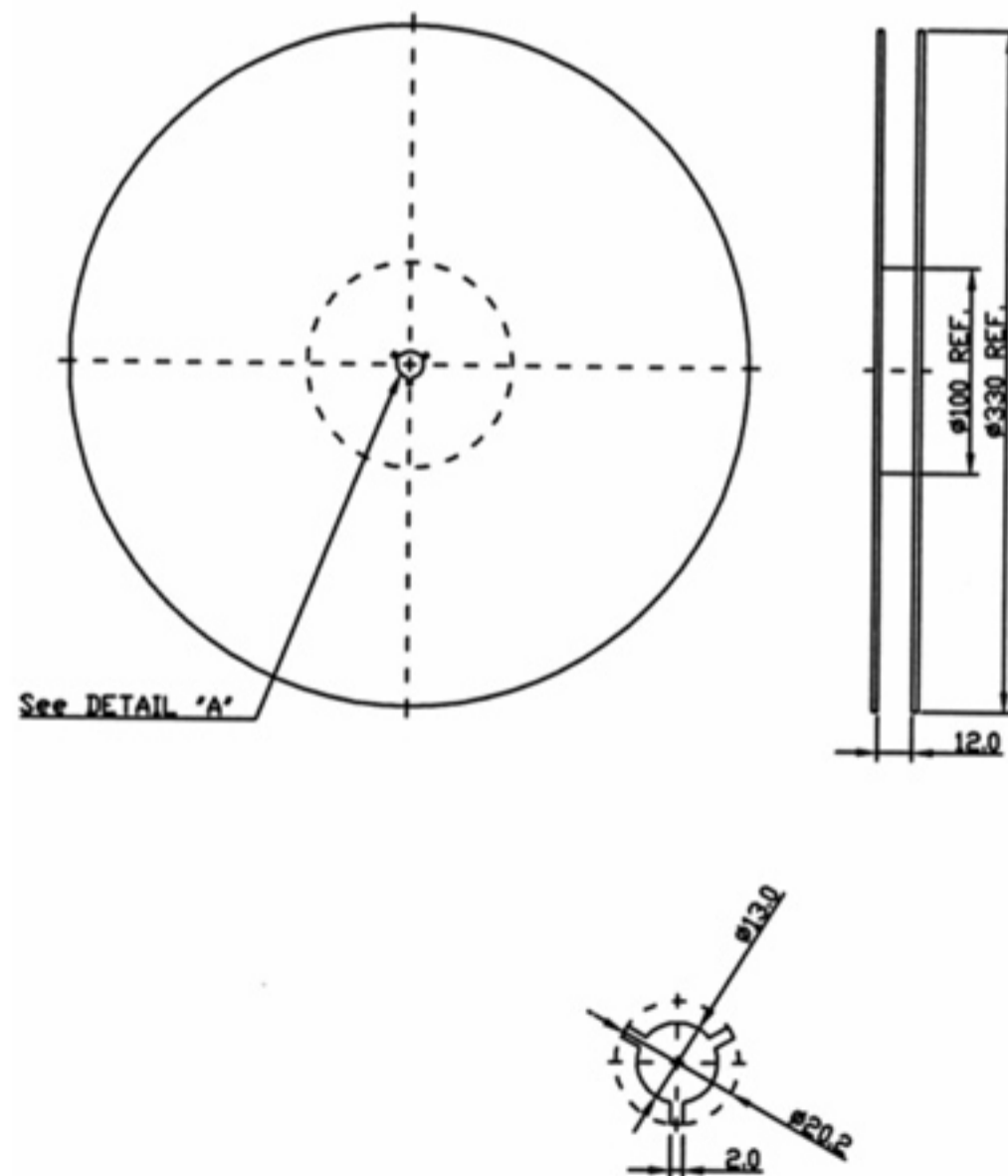


F. PCB FOOTPRINT:

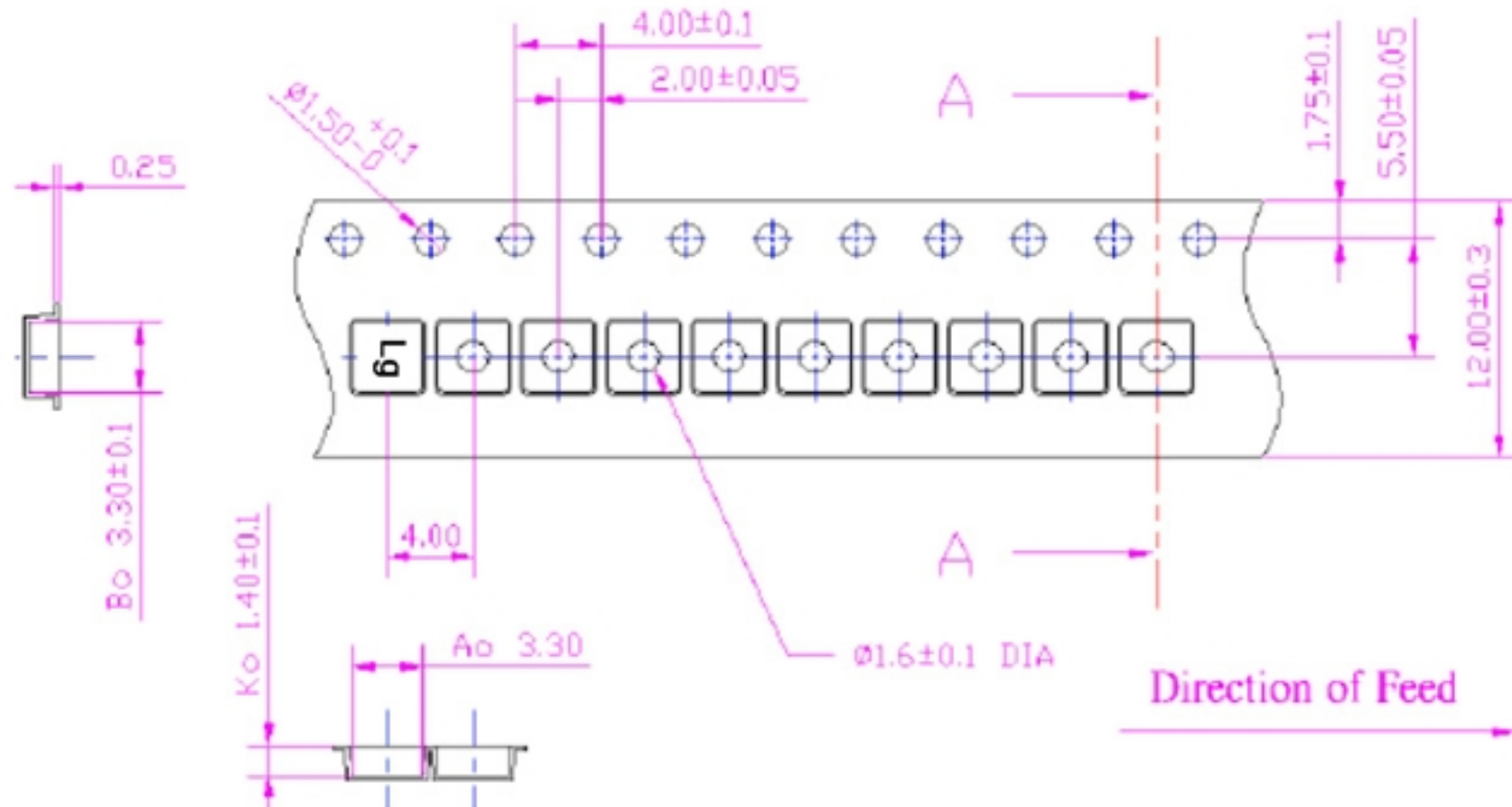


G. PACKING:

1. REEL DIMENSION
(Please refer to FR-75D10 for packing quantity)



2. TAPE DIMENSION



H. RECOMMENDED REFLOW PROFILE :

1. Preheating shall be fixed at $150 \sim 180^\circ\text{C}$ for 60~90 seconds.
2. Ascending time to preheating temperature 150°C shall be 30 seconds min.
3. Heating shall be fixed at 220°C for 50~80 seconds and at $260^\circ\text{C} + 0/-5^\circ\text{C}$ peak (20~40sec).
4. Time: 2 times.

