

SAW Filter 1588.655MHz

MODEL NO.:TA1267B

REV. NO.:3

A. MAXIMUM RATING:

1. Input Power Level: 10 dBm
2. DC Voltage : 3V
3. Operating Temperature: -40°C to +85°C
4. Storage Temperature: -40°C to +85°C
5. Moisture Sensitivity Level: Level 1 (MSL 1)
6. ESD 50V(MM) 100V(HBM)

RoHS Compliant
Lead free
Lead-free soldering

Electrostatic Sensitive Device (ESD)

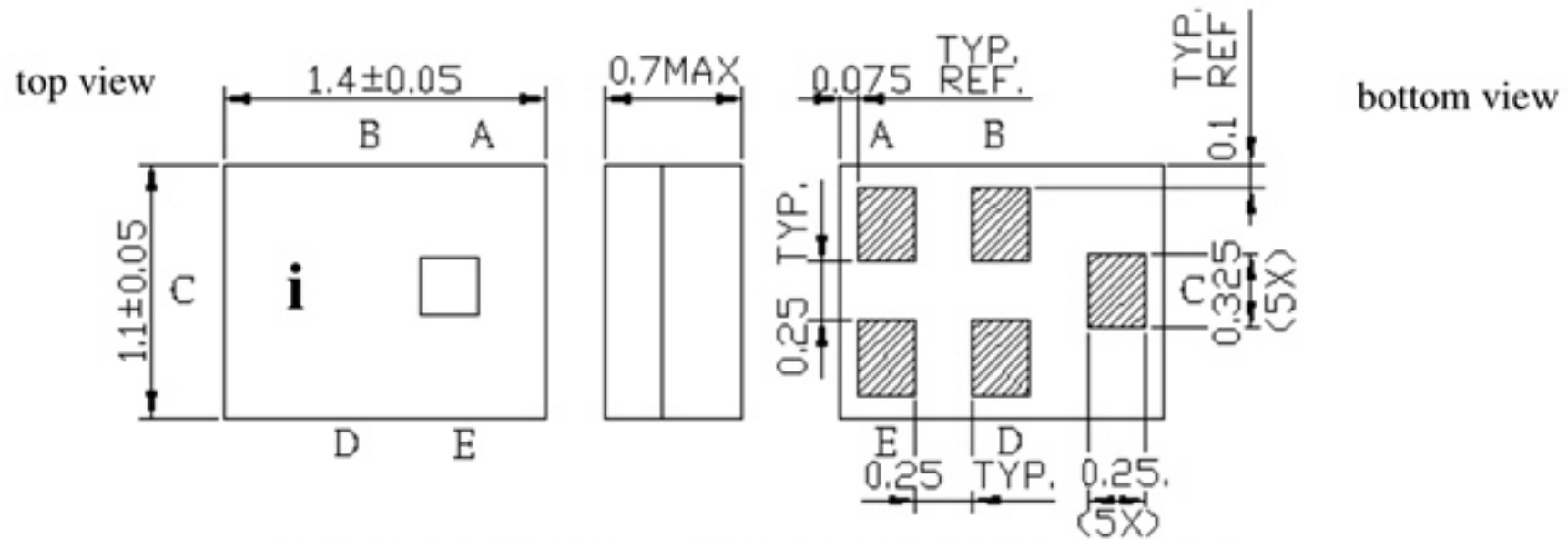
B. ELECTRICAL CHARACTERISTICS:

Terminating source impedance : $Z_s = 50 \Omega$

Terminating load impedance : $Z_L = 50 \Omega$

Item	Unit	Min.	Type.	Max.	Note
Center Frequency	Fc MHz	-	1588.655	-	-
Insertion Loss (1573.42~1577.42 MHz)	IL dB	-	1.25	1.7	-
Insertion Loss (1571.42~1605.89 MHz)	IL dB	-	1.7	2.5	-
Amplitude ripple (1573.42~1577.42 MHz)	dB	-	0.25	0.8	-
Amplitude ripple (1571.42~1605.89 MHz)	dB	-	0.7	1.5	-
I/O VSWR (1573.42~1577.42 MHz)		-	1.2	2	-
I/O VSWR (1571.42~1605.89 MHz)		-	1.6	2	-
Attenuation					
D.C~824 MHz	dB	32	35	-	-
824~849 MHz	dB	32	35	-	-
849~880 MHz	dB	32	34.5	-	-
880~915 MHz	dB	32	34.5	-	-
915~1452 MHz	dB	30	34	-	-
1452~1525 MHz	dB	32	37	-	-
1541 MHz	dB	20		-	-
1641 MHz	dB	20		-	-
1710~1785 MHz	dB	32	36	-	-
1785~1850 MHz	dB	32	36	-	-
1850~6000 MHz	dB	25	36	-	-
Temperature Coefficient of Frequency	ppm/°C	-	-36	-	-

C.OUTLINE DRAWING:



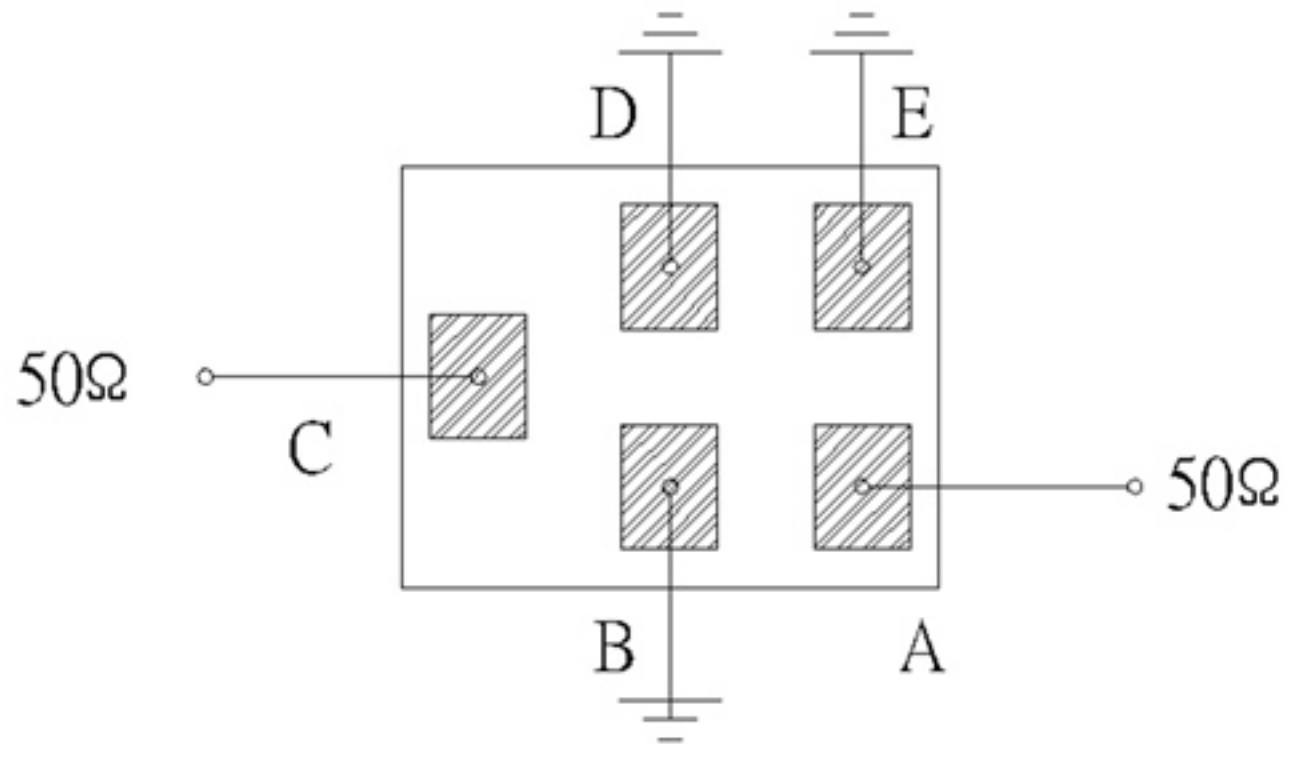
ALL TOLERANCES ARE ± 0.05 UNLESS OTHERWISE SPECIFIED

C : Input
 A : Output
 B,D,E : Ground
 Unit : mm

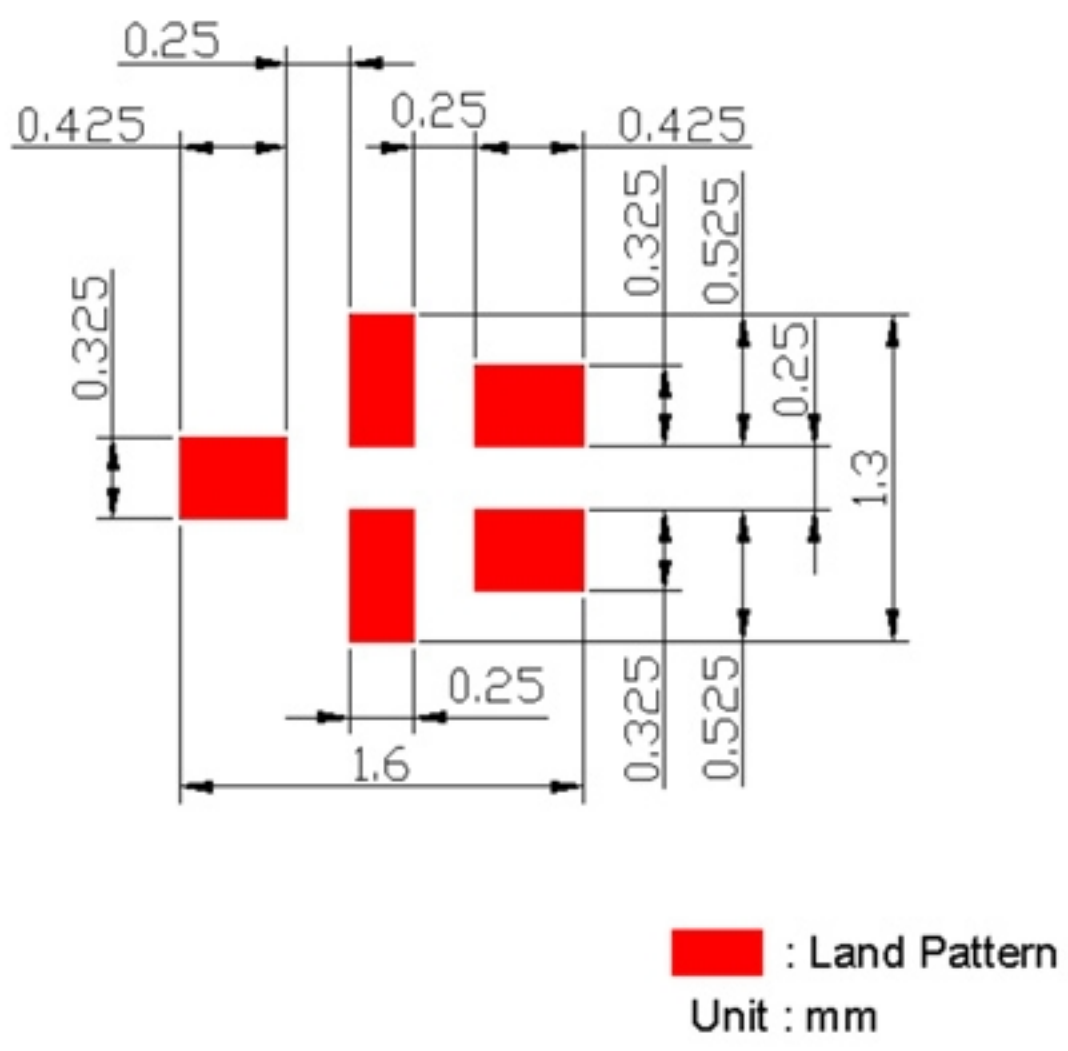
□ : Year/Month Code (Follow the table)

YEAR/Month	1	2	3	4	5	6	7	8	9	10	11	12
2013	A	B	C	D	E	F	G	H	J	K	L	M
2014	N	P	Q	R	S	T	U	V	W	X	Y	Z
2015	a	b	c	d	e	f	g	h	j	k	l	m
2016	n	p	q	r	s	t	u	v	w	x	y	z
2017	<u>A</u>	<u>B</u>	<u>C</u>	<u>D</u>	<u>E</u>	<u>F</u>	<u>G</u>	<u>H</u>	<u>J</u>	<u>K</u>	<u>L</u>	<u>M</u>
2018	<u>N</u>	<u>P</u>	<u>Q</u>	<u>R</u>	<u>S</u>	<u>T</u>	<u>U</u>	<u>V</u>	<u>W</u>	<u>X</u>	<u>Y</u>	<u>Z</u>
2019	<u>a</u>	<u>b</u>	<u>c</u>	<u>d</u>	<u>e</u>	<u>f</u>	<u>g</u>	<u>h</u>	<u>i</u>	<u>k</u>	<u>l</u>	<u>m</u>
2020	<u>n</u>	<u>p</u>	<u>q</u>	<u>r</u>	<u>s</u>	<u>t</u>	<u>u</u>	<u>v</u>	<u>w</u>	<u>x</u>	<u>y</u>	<u>z</u>

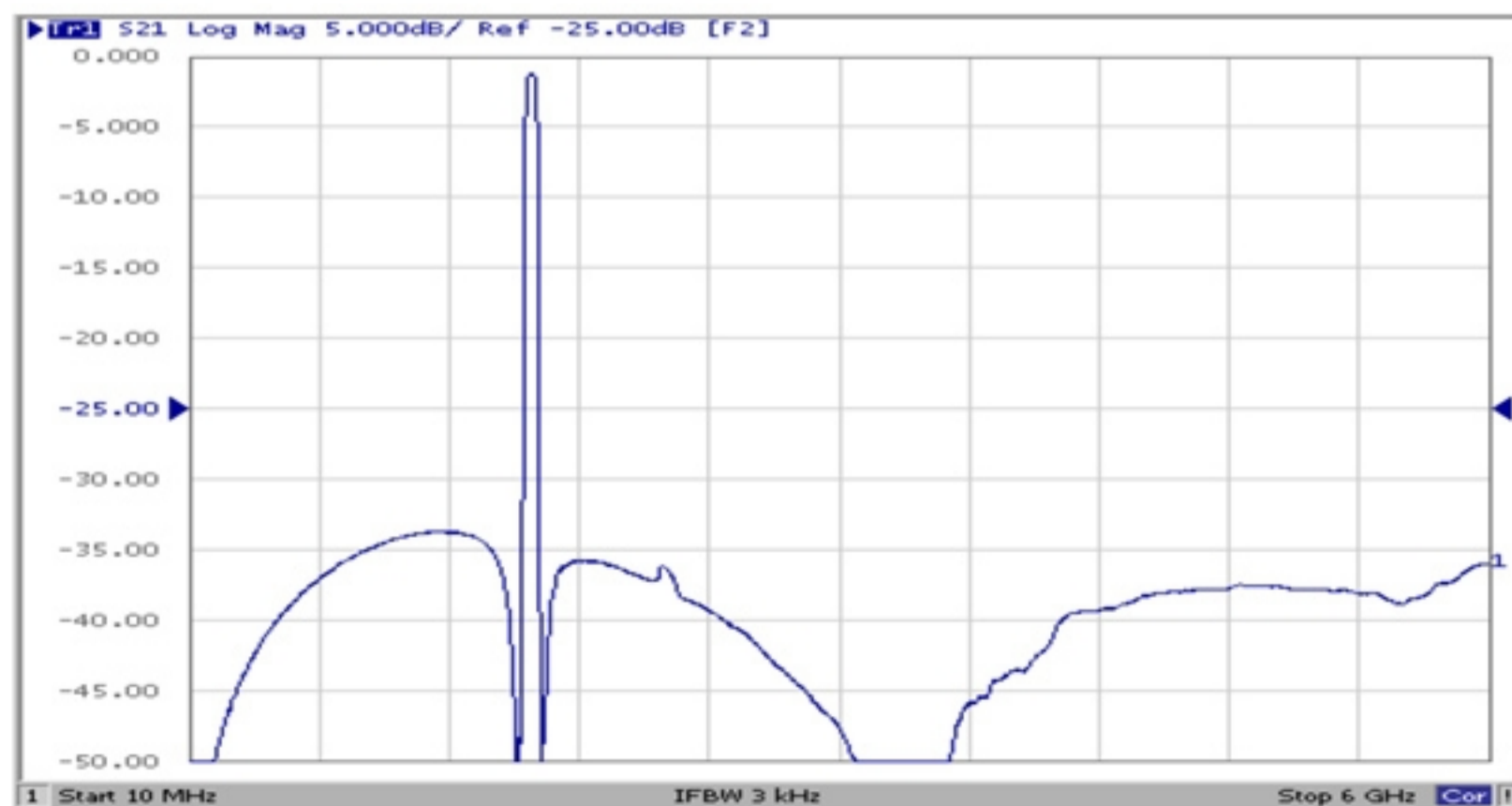
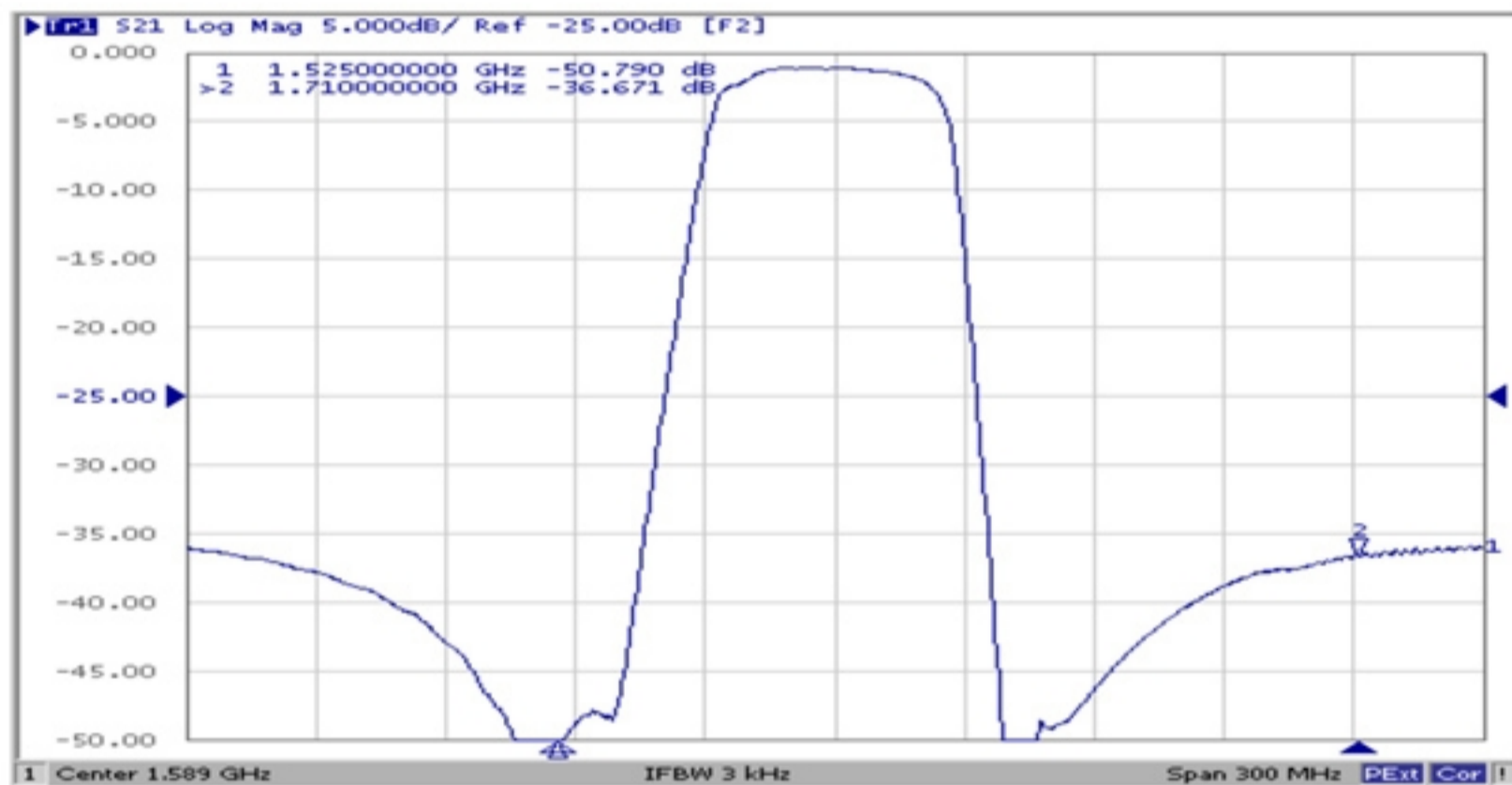
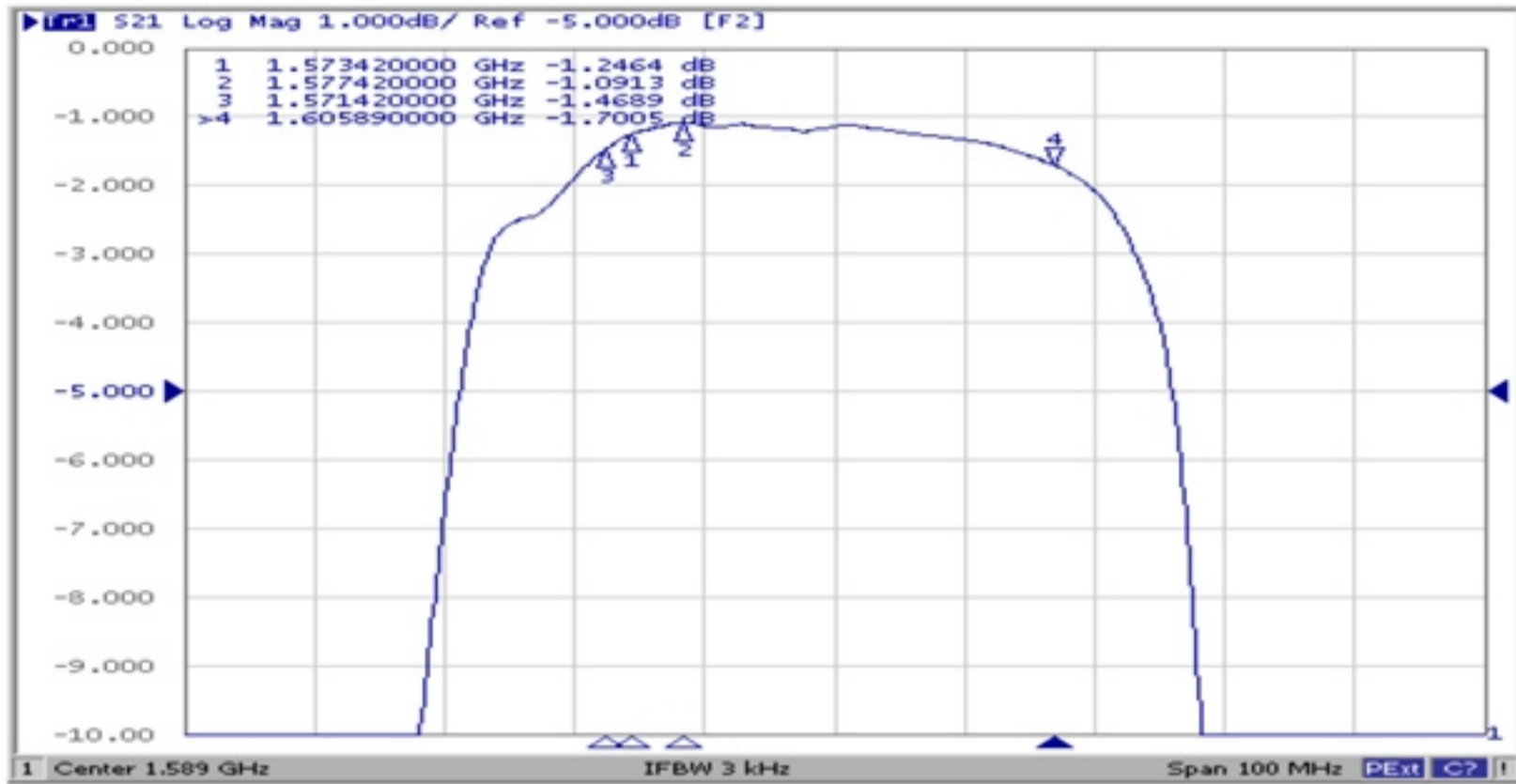
D. MEASUREMENT CIRCUIT:



E. PCB Footprint:

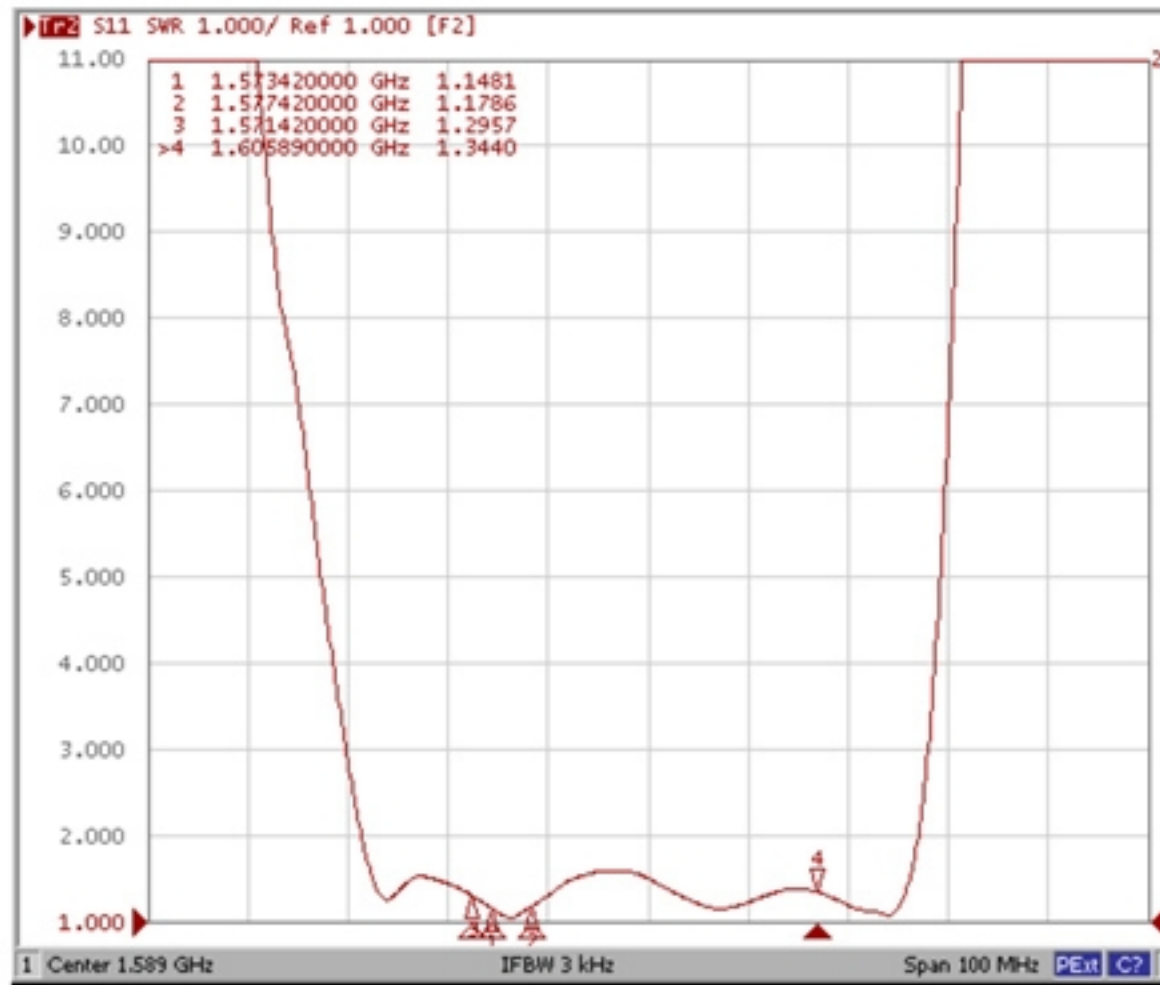


F. Frequency Characteristics :

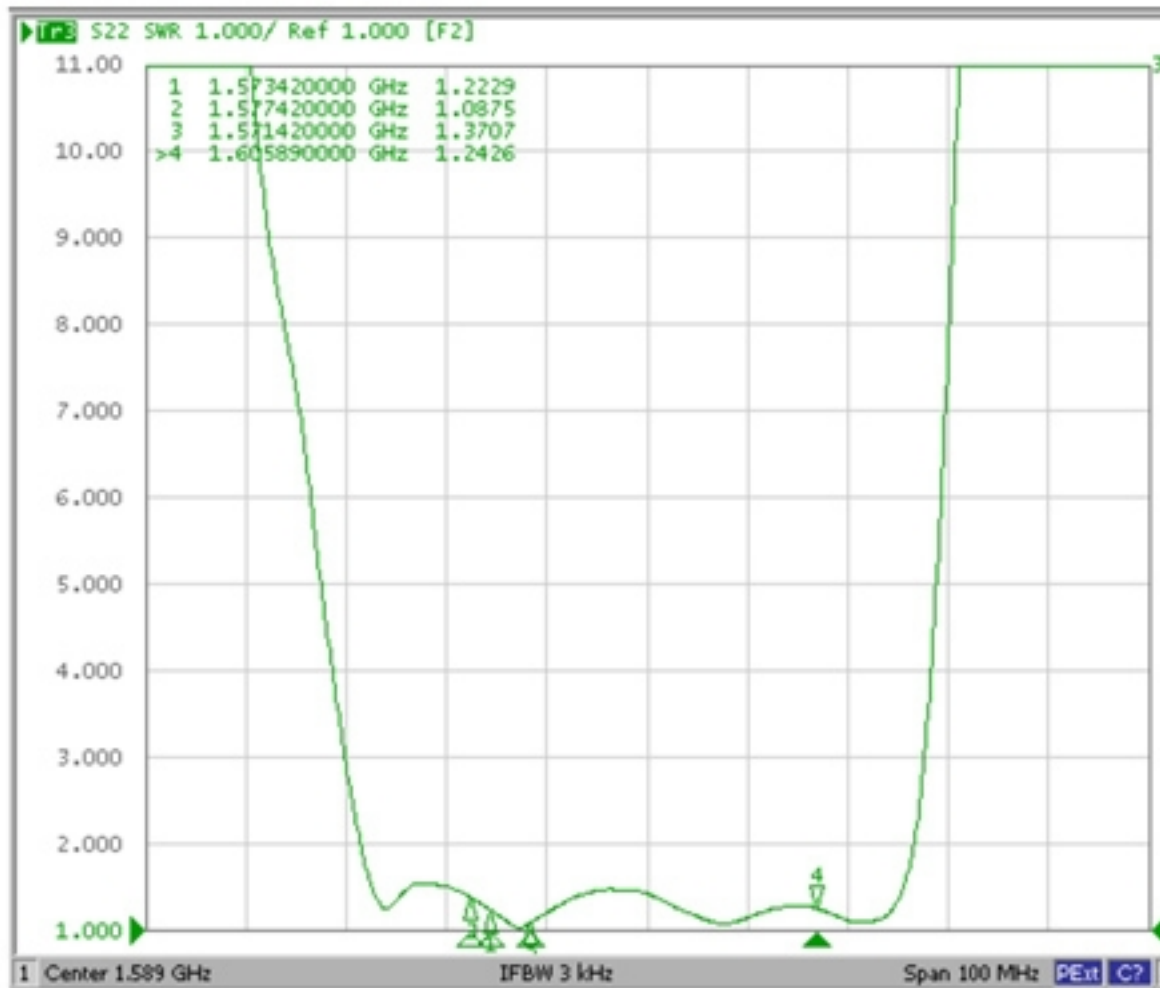


Reflection Functions :

S11



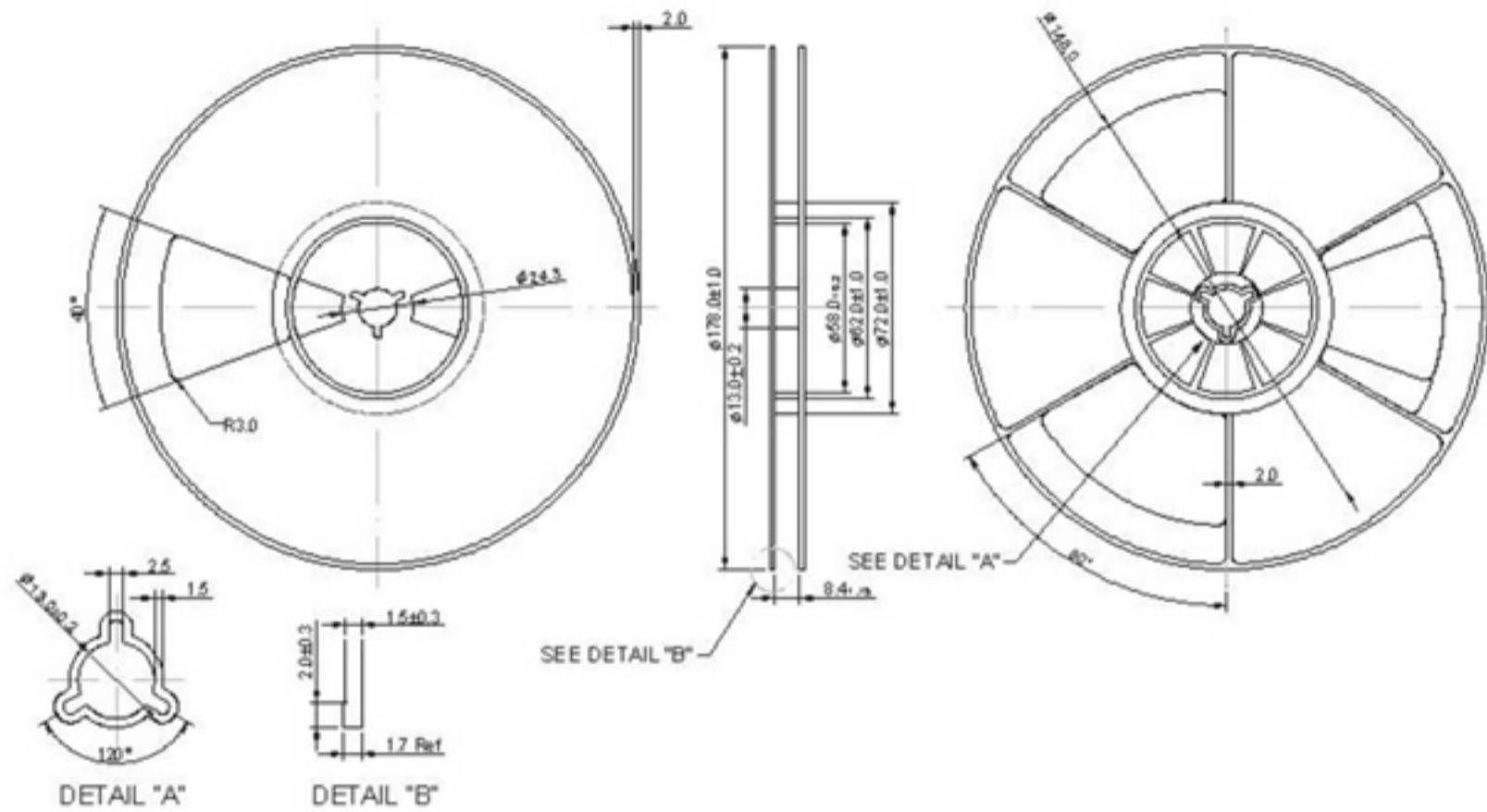
S22



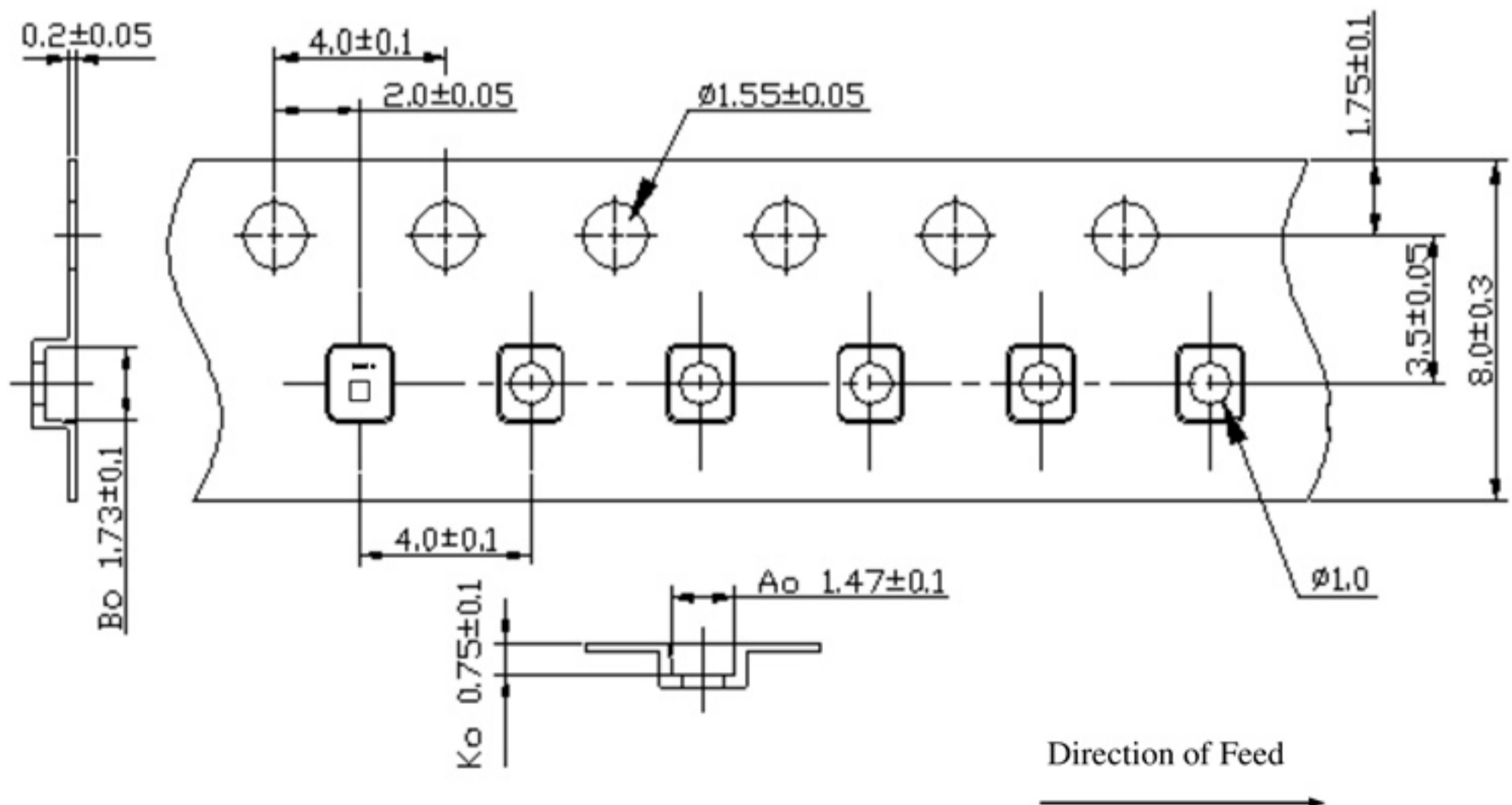
G. PACKING:

1. REEL DIMENSION

(Reel Count : 7"=3000)



2. TAPE DIMENSION



H . RECOMMENDED REFLOW PROFILE :

1. Preheating shall be fixed at 150~180°C for 60~90 seconds.
2. Ascending time to preheating temperature 150°C shall be 30 seconds min.
3. Heating shall be fixed at 220°C for 50~80 seconds and at 245~260°C peak (min. 10sec).
4. Time : 2 times.

