



TAI-SAW TECHNOLOGY CO., LTD.

No. 3, Industrial 2nd Rd., Ping-Chen Industrial District,
Taoyuan, 324, Taiwan, R.O.C.

TEL: 886-3-4690038 FAX: 886-3-4697532

E-mail: tstsales@mail.taisaw.com Web: www.taisaw.com

Product Specifications Approval Sheet

Product Description: SAW Filter 2441.75MHz (BW 83.5MHz) SMD 1.4X1.1mm

TST Parts No.:TA2269C

Customer Parts No.:_____

Company:_____
Division:_____
Approved by :_____
Date:_____

Checked by:_____ Michael Yang *Michael*

Approval by:_____ Andy Yu *Andy Yu*

Date:_____ 2020/02/25

1. Customer signed back is required before TST can proceed with sample build and receive orders.
2. Orders received without customer signed back will be regarded as agreement on the specifications.
3. Any specifications changes must be approved upon by both parties and a new revision of specifications shall be released to reflect the changes



TAI-SAW TECHNOLOGY CO., LTD.

No. 3, Industrial 2nd Rd., Ping-Chen Industrial District,
Taoyuan, 324, Taiwan, R.O.C.

TEL: 886-3-4690038 FAX: 886-3-4697532

E-mail: tstsales@mail.taisaw.com Web: www.taisaw.com

SAW Filter 2441.75MHz (BW 83.5MHz) SMD 1.4x1.1mm

MODEL NO.:TA2269C

REV. NO.:3.0

A. MAXIMUM RATING:

1. Input Power Level: 24 dBm
2. DC Voltage : 3V
3. Operating Temperature: -30 °C to +85 °C
4. Storage Temperature: -40 °C to +105 °C
5. Moisture Sensitive Level (MSL): Level 3

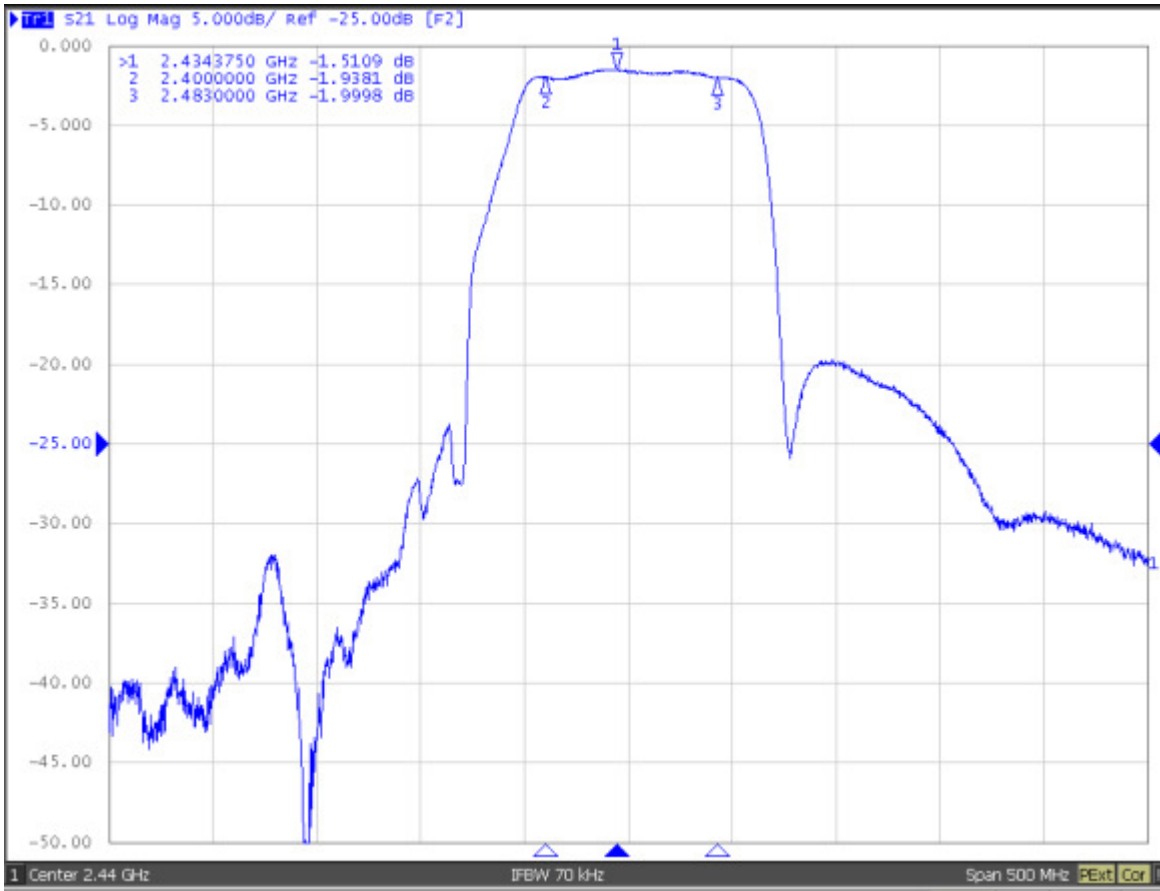


Electrostatic Sensitive Device (ESD)

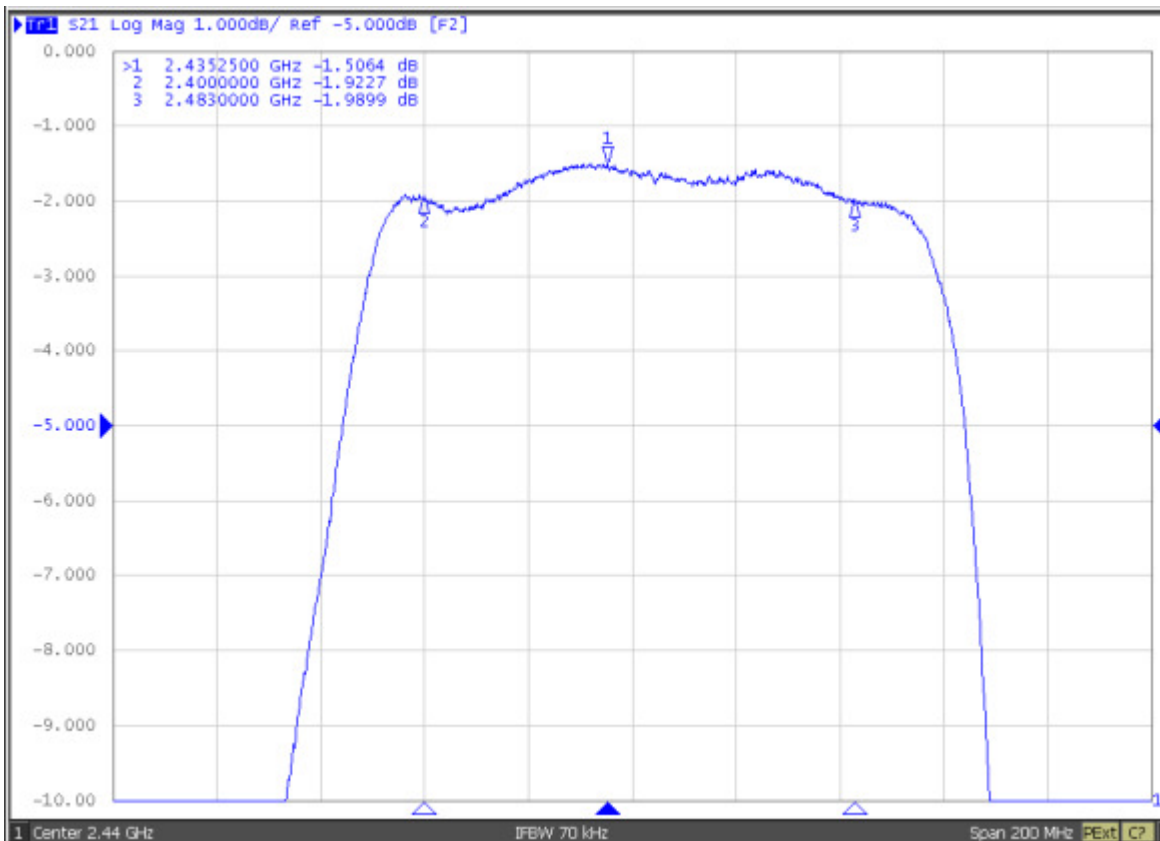
B. ELECTRICAL CHARACTERISTICS:

Item	Unit	Min	Type.	Max
Center Frequency Fc	MHz	-	2441.75	-
Insertion Loss IL 2400 – 2483.5 MHz	dB		2.2	2.6
Amplitude ripple 2400 – 2483.5 MHz			0.7	1.5
VSWR 2400 – 2483.5 MHz			2.0	2.4
Attenuation				
0.1 – 960 MHz	dB	30	35	
1570 – 1990 MHz	dB	32	35	
2110 – 2170 MHz	dB	40	45	
2170 – 2300 MHz	dB	30	35	
2300 – 2320 MHz	dB	25	33	
2320 – 2345 MHz	dB	18	25	
2345 – 2365 MHz	dB	5	10	
2550 – 2800 MHz	dB	15	20	
2800 – 4000 MHz	dB	30	33	
4000 – 5000 MHz	dB	30	33	
Package size	mm	SMD 1.4x1.1		

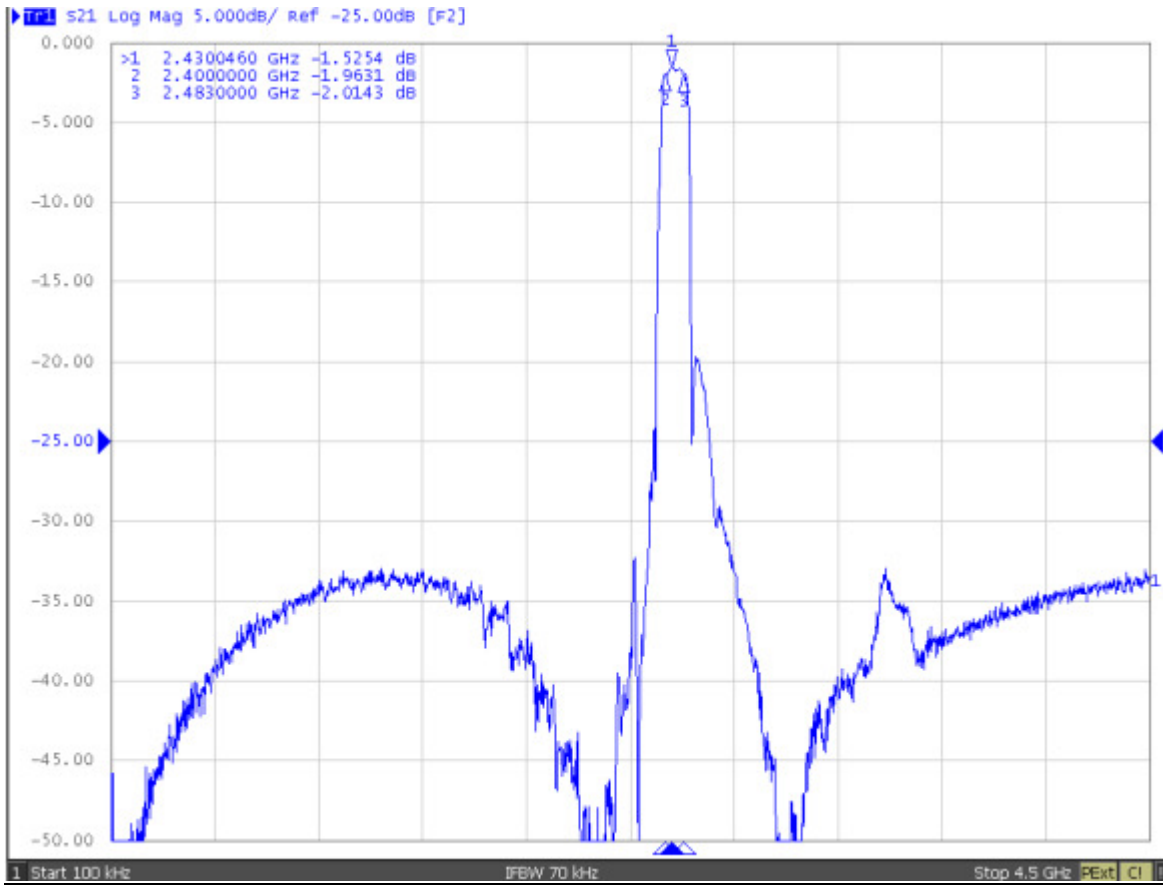
C.FREQUENCY CHARACTERISTICS:
S21 response: (span 500MHz)



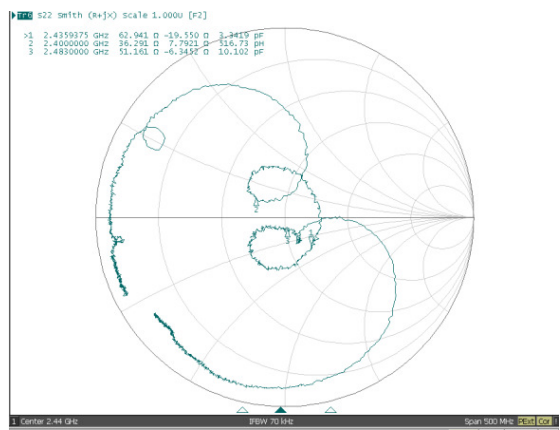
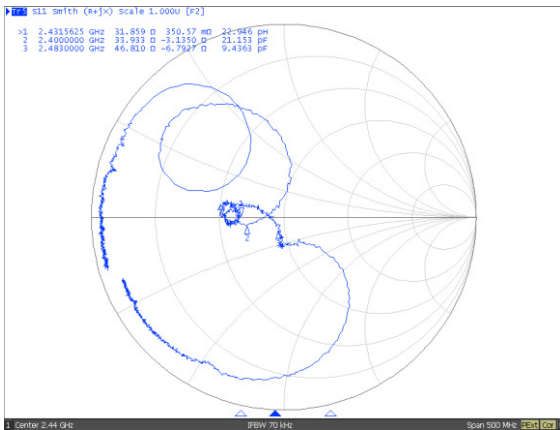
S21 response: (span 200MHz)



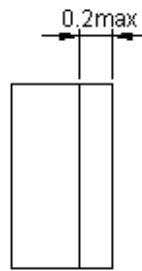
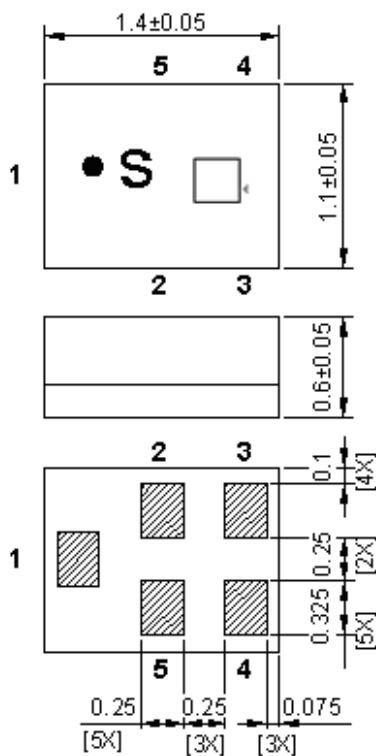
S21 response: (span 4.5GHz)



S11/S22 response:



D. OUTLINE DRAWING:



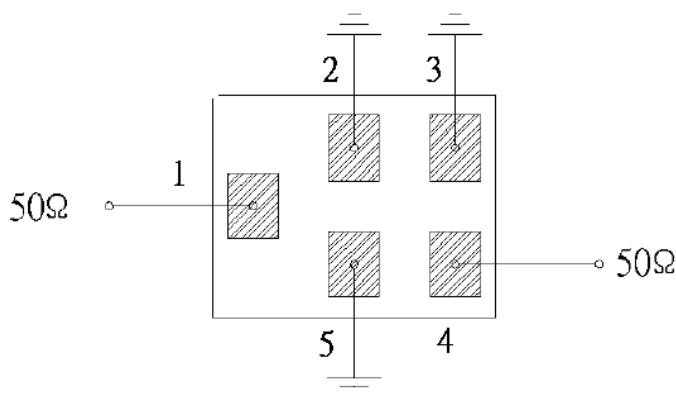
All tolerances are ± 0.05 mm unless otherwise specified
 Coplanarity : 0.1 mm max.
 1 to 5 : Pin No.
 Unit : mm

Pin No.↕	Symbol↕	Function↕
1↕	IN↕	Input↕
2↕	GND↕	Ground↕
3↕	GND↕	Ground↕
4↕	OUT↕	Output↕
5↕	GND↕	Ground↕

□ : Year/Month Code (Follow the table)

YEAR/Month	1	2	3	4	5	6	7	8	9	10	11	12
2013	A	B	C	D	E	F	G	H	J	K	L	M
2014	N	P	Q	R	S	T	U	V	W	X	Y	Z
2015	a	b	c	d	e	f	g	h	j	k	l	m
2016	n	p	q	r	s	t	u	v	w	x	y	z
2017	<u>A</u>	<u>B</u>	<u>C</u>	<u>D</u>	<u>E</u>	<u>F</u>	<u>G</u>	<u>H</u>	<u>J</u>	<u>K</u>	<u>L</u>	<u>M</u>
2018	<u>N</u>	<u>P</u>	<u>Q</u>	<u>R</u>	<u>S</u>	<u>I</u>	<u>U</u>	<u>V</u>	<u>W</u>	<u>X</u>	<u>Y</u>	<u>Z</u>
2019	<u>a</u>	<u>b</u>	<u>c</u>	<u>d</u>	<u>e</u>	<u>f</u>	<u>g</u>	<u>h</u>	<u>i</u>	<u>k</u>	<u>l</u>	<u>m</u>
2020	<u>n</u>	<u>p</u>	<u>q</u>	<u>r</u>	<u>s</u>	<u>t</u>	<u>u</u>	<u>v</u>	<u>w</u>	<u>x</u>	<u>y</u>	<u>z</u>

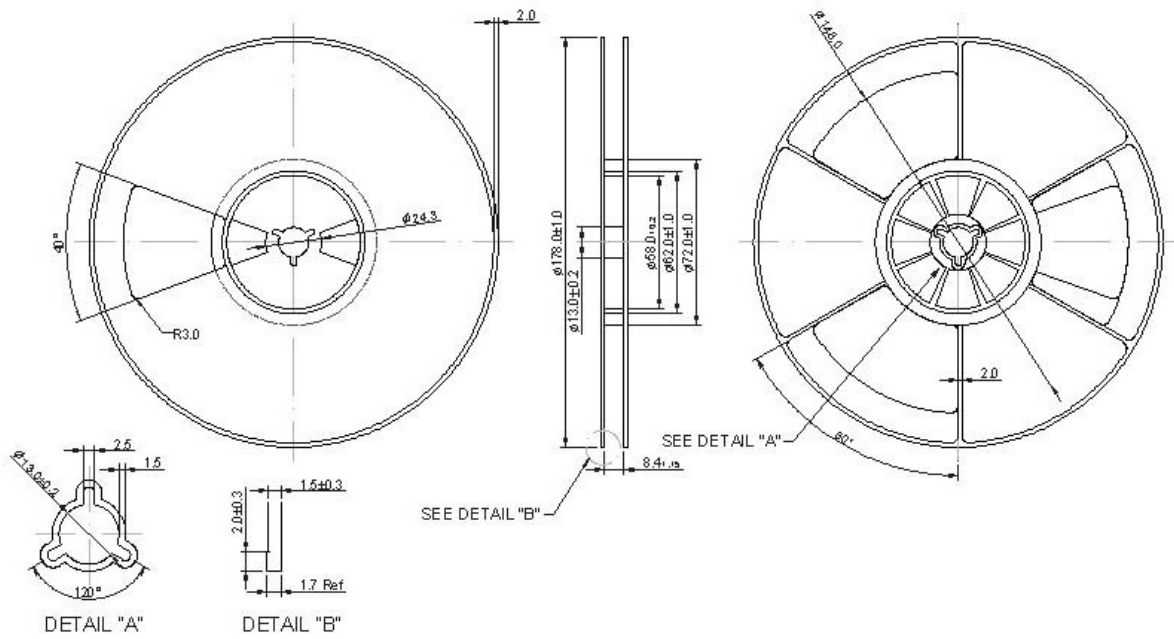
E. MEASUREMENT CIRCUIT:



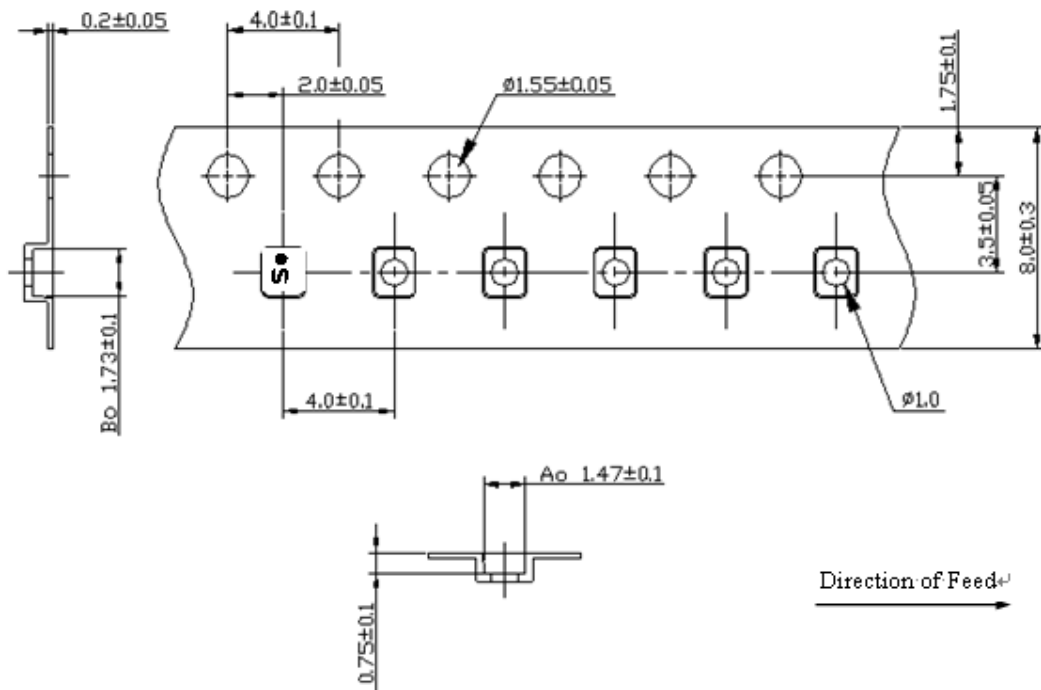
F. PACKING:

1. REEL DIMENSION

(Please refer to FR-75D10 for packing quantity)



2. TAPE DIMENSION



G. Recommended Reflow Profile:

1. Preheating shall be fixed at 150~180°C for 60~90 seconds.
2. Ascending time to preheating temperature 150°C shall be 30 seconds min.
3. Heating shall be fixed at 220°C for 50~80 seconds and at 260°C +0/-5°C peak (20~40sec).
4. Time: 2 times.

