

SAW Filter 1590.155 MHz BW 47MHz SMD 1.1x0.9x0.5mm

MODEL NO.: TA2567A

REV. NO.:1.0

A. MAXIMUM RATING:

1. Input Power Level: 10 dBm
2. DC Voltage : 3V
3. Operating Temperature: -30 °C to +85 °C
4. Storage Temperature: -40 °C to +95 °C
5. Moisture Sensitive Level (MSL): Level 3

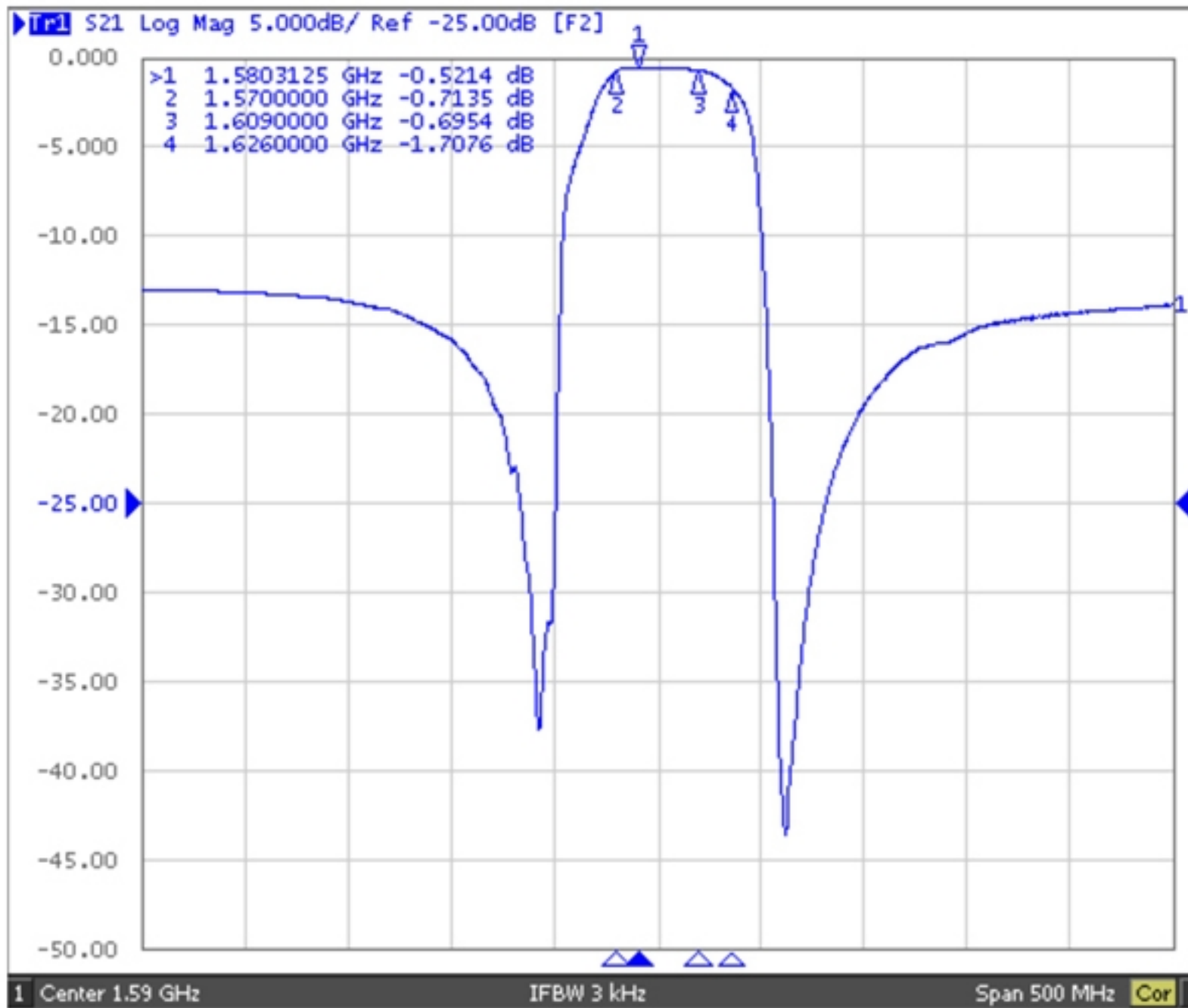
RoHS Compliant
Lead free
Lead-free soldering

Electrostatic Sensitive Device (**ESD**)

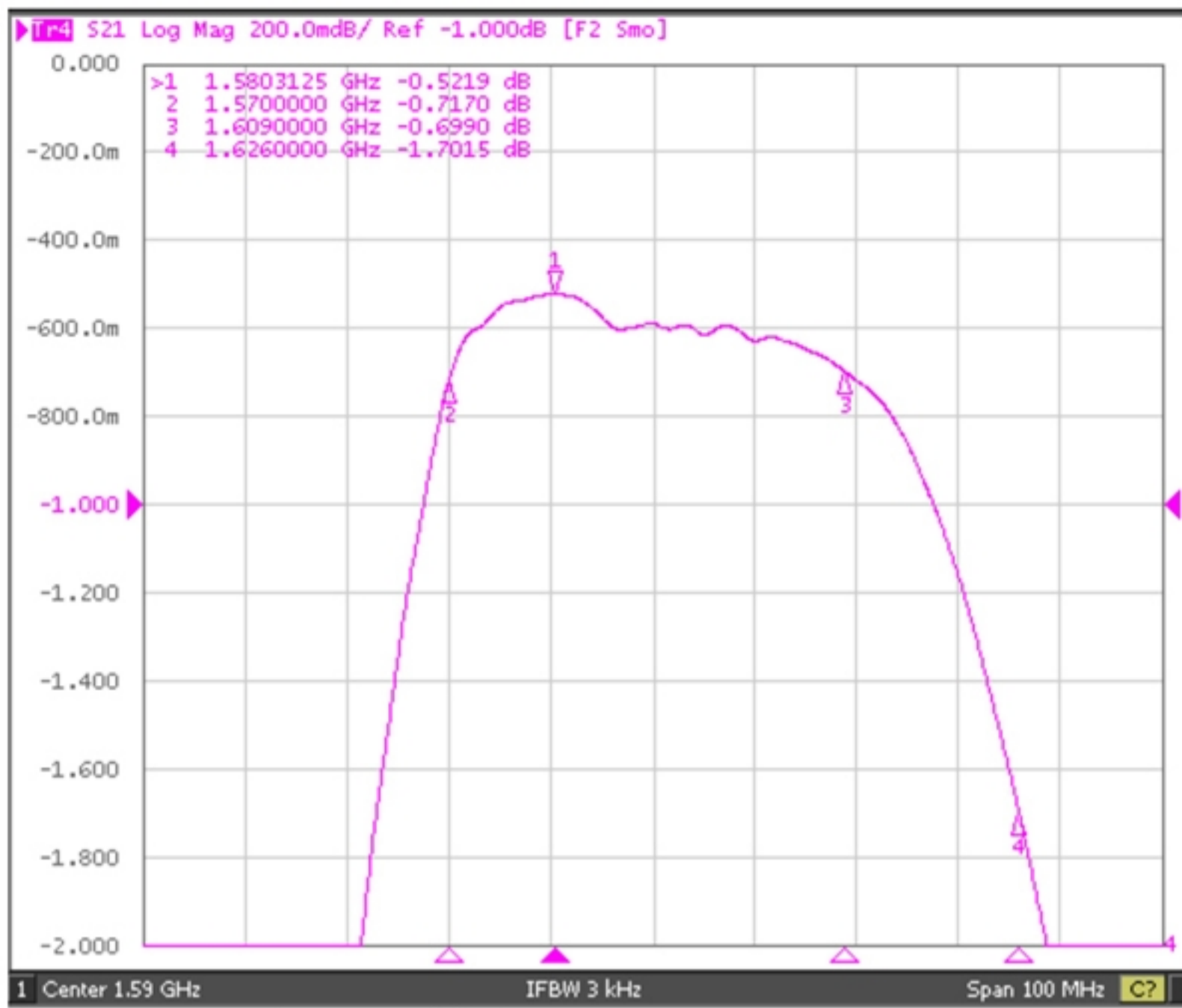
B. ELECTRICAL CHARACTERISTICS:

| Item | Unit | Min | Type. | Max |
|---|------|------|----------|-----|
| Center Frequency Fc | MHz | - | 1590.155 | - |
| Insertion Loss (1574.42~1576.42 MHz) IL | dB | | 0.8 | 1.0 |
| Insertion Loss (1597.55~1605.89 MHz) IL | dB | | 0.8 | 1.0 |
| VSWR (1574.42~1576.42 MHz) | | | 1.6 | 2.0 |
| VSWR (1597.55~1605.89 MHz) | | | 1.6 | 2.0 |
| Amplitude ripple | | | | |
| (1573.42~1577.42 MHz) | dB | | 0.3 | 0.6 |
| (1597.55~1605.89 MHz) | dB | | 0.3 | 0.6 |
| Attenuation | | | | |
| 100 ~ 915 MHz | dB | 10 | 12 | |
| 915 ~ 1525 MHz | dB | 10 | 12 | |
| 1626 ~ 1660 MHz | dB | 1.3 | 2.2 | |
| 1660 ~ 2400 MHz | dB | 10 | 12 | |
| 2400 ~ 4500 MHz | dB | 11 | 13 | |
| 4500 ~ 6000 MHz | dB | 16 | 20 | |
| Package size | mm | 1109 | | |

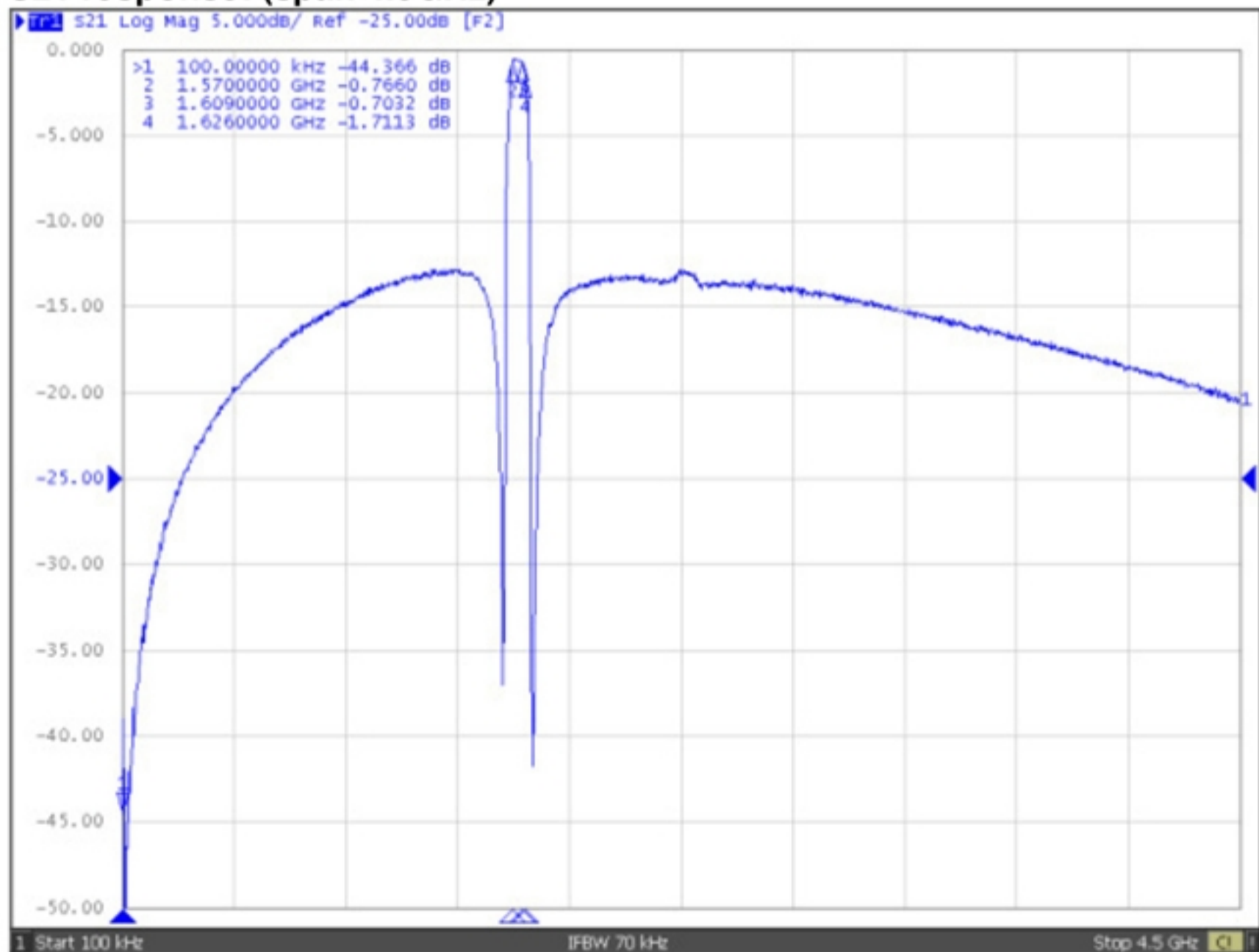
C.FREQUENCY CHARACTERISTICS:
S21 response: (span 500MHz)



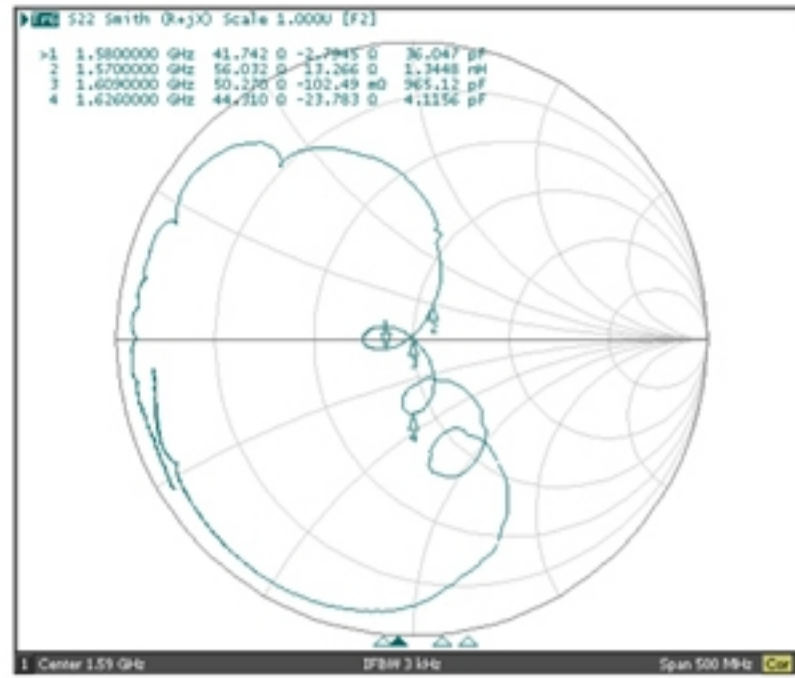
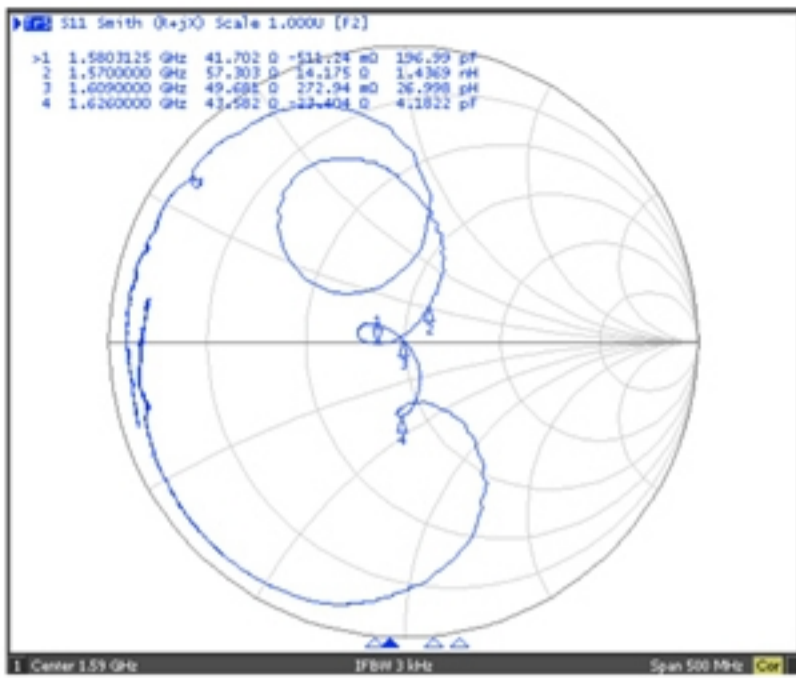
S21 response: (span 140MHz)



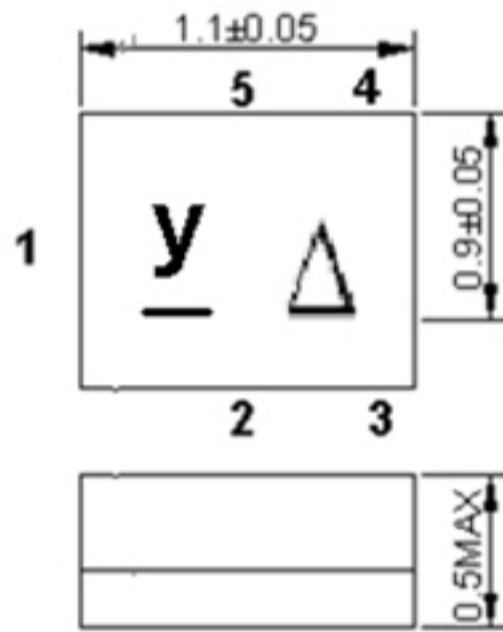
S21 response: (span 4.5GHz)



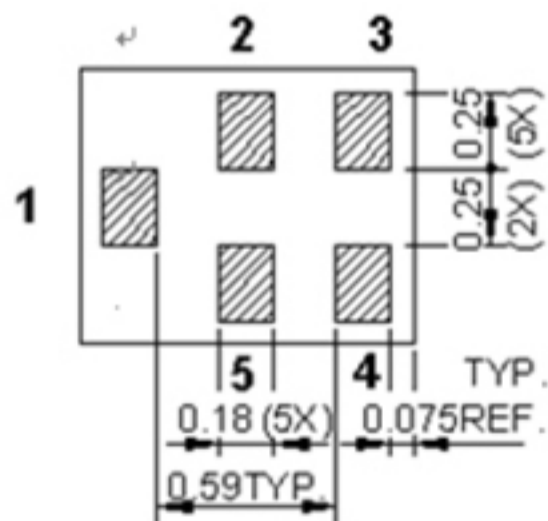
S11/S22 response:



D. OUTLINE DRAWING:



All tolerances are +/-0.05 mm unless otherwise specified
 Coplanarity : 0.1 mm max.
 1 to 5 : Pin No.
 Unit : mm



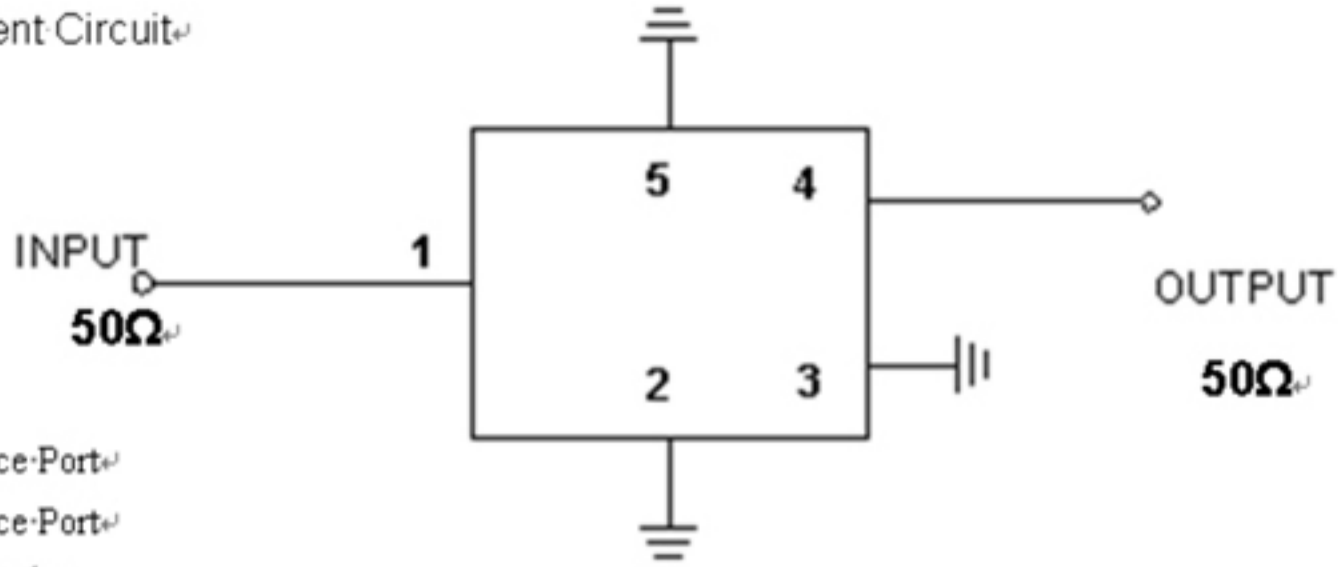
| Pin No. | Symbol | Function |
|---------|--------|----------|
| 1 | IN | Input |
| 2 | GND | Ground |
| 3 | GND | Ground |
| 4 | OUT | Output |
| 5 | GND | Ground |

Δ : Year/Month Code (Follow the table)

| YEAR/Month | 1 | 2 | 3 | 4 | 5 | 6 | 7 | 8 | 9 | 10 | 11 | 12 |
|------------|----------|----------|----------|----------|----------|----------|----------|----------|----------|----------|----------|----------|
| 2013 | A | B | C | D | E | F | G | H | J | K | L | M |
| 2014 | N | P | Q | R | S | T | U | V | W | X | Y | Z |
| 2015 | a | b | c | d | e | f | g | h | j | k | l | m |
| 2016 | n | p | q | r | s | t | u | v | w | x | y | z |
| 2017 | <u>A</u> | <u>B</u> | <u>C</u> | <u>D</u> | <u>E</u> | <u>F</u> | <u>G</u> | <u>H</u> | <u>J</u> | <u>K</u> | <u>L</u> | <u>M</u> |
| 2018 | <u>N</u> | <u>P</u> | <u>Q</u> | <u>R</u> | <u>S</u> | <u>T</u> | <u>U</u> | <u>V</u> | <u>W</u> | <u>X</u> | <u>Y</u> | <u>Z</u> |
| 2019 | <u>a</u> | <u>b</u> | <u>c</u> | <u>d</u> | <u>e</u> | <u>f</u> | <u>g</u> | <u>h</u> | <u>i</u> | <u>k</u> | <u>l</u> | <u>m</u> |
| 2020 | <u>n</u> | <u>p</u> | <u>q</u> | <u>r</u> | <u>s</u> | <u>t</u> | <u>u</u> | <u>v</u> | <u>w</u> | <u>x</u> | <u>y</u> | <u>z</u> |

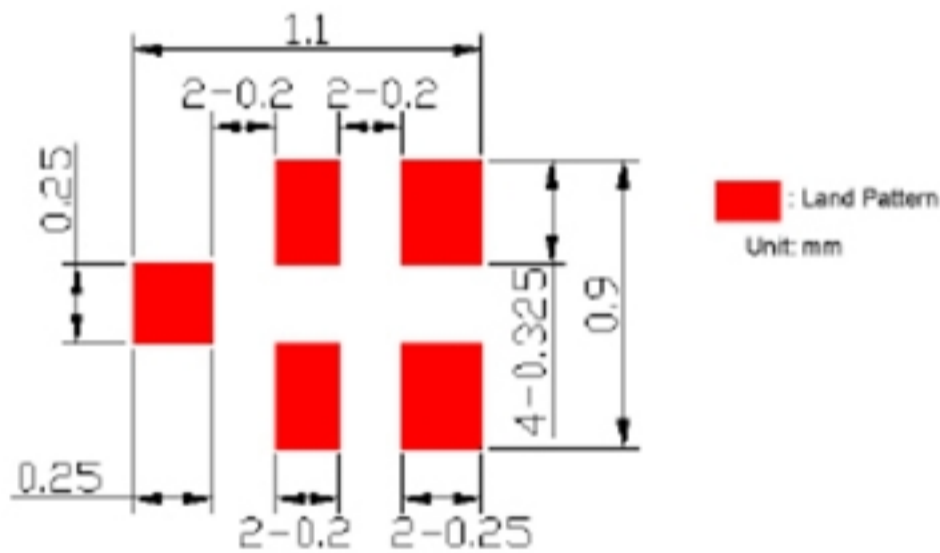
E. MEASUREMENT CIRCUIT:

Measurement Circuit



- (1): Unbalance Port
- (4): Unbalance Port
- Others: Ground

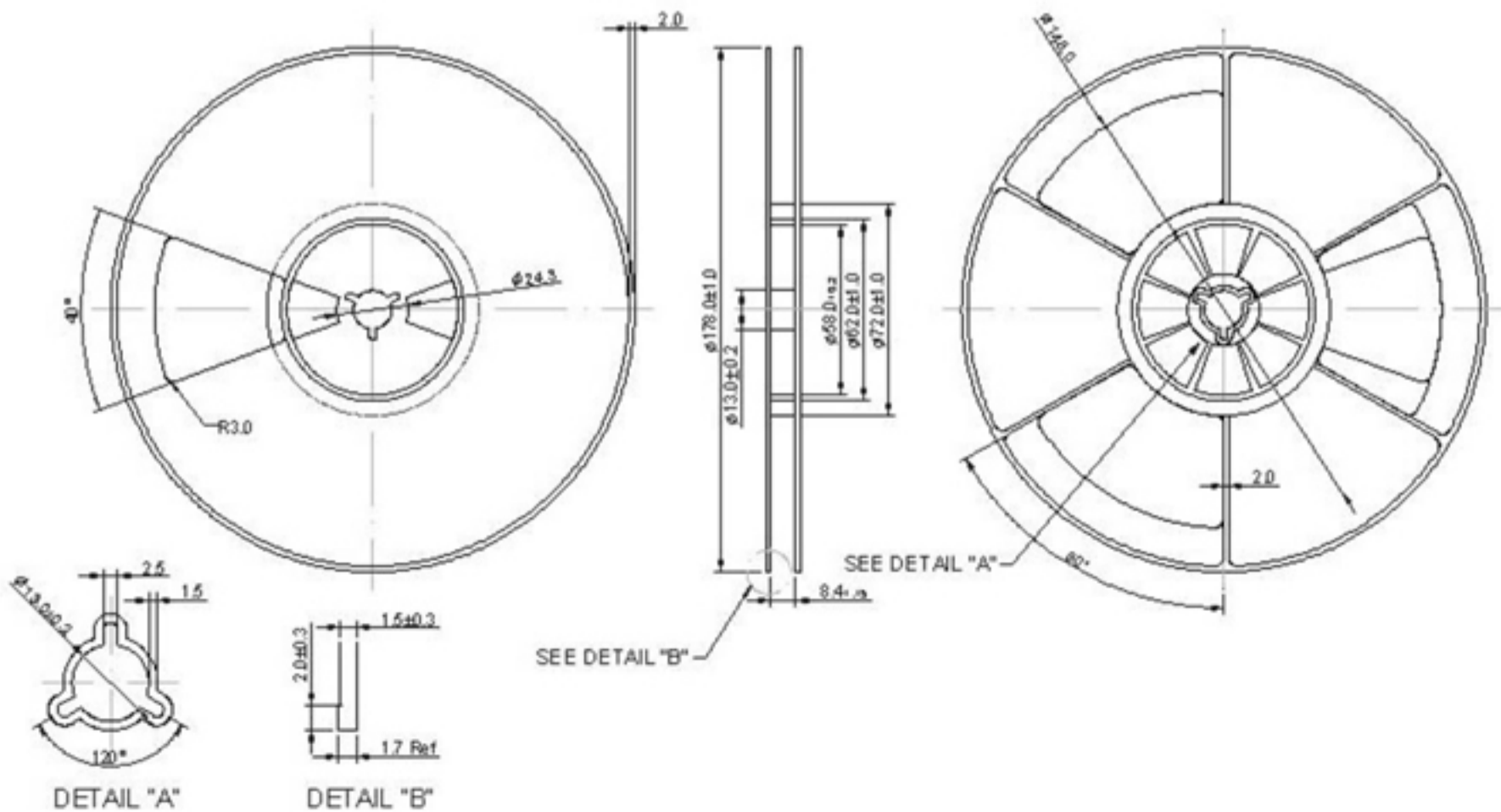
F. FOOT PRINT :



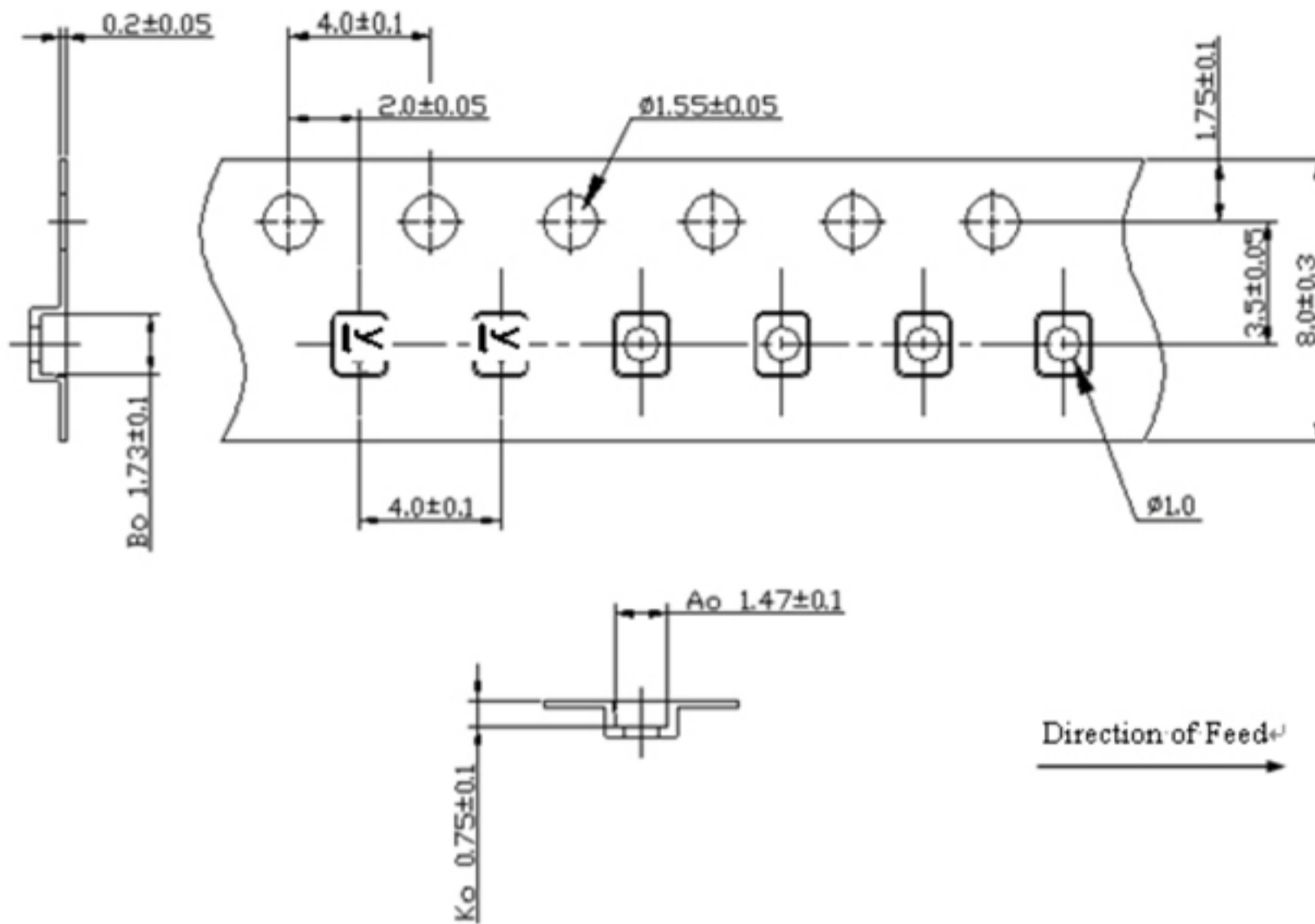
G. PACKING:

1. REEL DIMENSION

(Please refer to FR-75D10 for packing quantity)



2.TAPE DIMENSION



H. Recommended Reflow Profile:

1. Preheating shall be fixed at $150 \sim 180^\circ\text{C}$ for 60~90 seconds.
2. Ascending time to preheating temperature 150°C shall be 30 seconds min.
3. Heating shall be fixed at 220°C for 50~80 seconds and at $260^\circ\text{C} +0/-5^\circ\text{C}$ peak (20~40sec).
4. Time: 2 times.

