



TAI-SAW TECHNOLOGY CO., LTD.

No. 3, Industrial 2nd Rd., Ping-Chen Industrial District,
Taoyuan, 324, Taiwan, R.O.C.

TEL: 886-3-4690038 FAX: 886-3-4697532

E-mail: tstsales@mail.taisaw.com Web: www.taisaw.com

Product Specifications Approval Sheet

Product Description: BAW Filter 2442 MHz SMD 1109(BW=79MHz)

TST Part No.: TA2621C(This part is compliant with AEC-Q200)

Customer Part No.: _____

Customer signature required
Company: _____
Division: _____
Approved by : _____
Date: _____

Checked by: _____ Anne Chen *Anne Chen*

Approved by: _____ Andy Yu *Andy Yu*

Date: _____ 03/26/2020

1. Customer signed back is required before TST can proceed with sample build and receive orders.
2. Orders received without customer signed back will be regarded as agreement on the specifications.
3. Any specifications changes must be approved upon by both parties and a new revision of specifications shall be released to reflect the changes.



TAI-SAW TECHNOLOGY CO., LTD.

No. 3, Industrial 2nd Rd., Ping-Chen Industrial District,

Taoyuan, 324, Taiwan, R.O.C.

TEL: 886-3-4690038 FAX: 886-3-4697532

E-mail: tstsales@mail.taisaw.com Web: www.taisaw.com

BAW Filter 2442MHz SMD1.1x0.9mm (79MHz BW)

MODEL NO.:TA2621C

REV. NO.:2

A. MAXIMUM RATING:

1. Input Power Level : 28dBm (Ta=+50deg C,10kh.CW)
2. DC Voltage : 0V
3. Operating Temperature: -40 °C to +85 °C
4. Storage Temperature: -40 °C to +100 °C
5. Moisture Sensitivity Level: Level 1
- 6 .ESD 50V(MM) 100V(HBM)



Electrostatic Sensitive Device (ESD)

B. ELECTRICAL CHARACTERISTICS:

Terminating source impedance : $Z_s = 50 \parallel 8.2nH \ \Omega$ (Single-ended)

Terminating load impedance : $Z_L = 50 \parallel 8.2nH \ \Omega$ (Single-ended)

Item	Unit	Min.	Typ.	Max.	Note	
Center Frequency Fc	MHz	-	2442			
Insertion Loss(*1)(*2)	(2402.5~2421.5MHz) IL	dB	-	1.2	3.0	CH1
	(2407.5~2426.5MHz) IL	dB	-	1.1	2.0	CH2
	(2412.5~2471.5MHz) IL	dB	-	0.9	1.6	CH3 to 11
	(2457.5~2476.5MHz) IL	dB	-	0.9	1.6	CH12
	(2462.5~2481.5MHz) IL	dB	-	1.0	1.8	CH13
	(2402.5~2481.5MHz) IL	dB	-	1.2	2.0	+25 °C
Amplitude Ripple (2402.5 ~ 2481.5MHz)	dB	-	1.0	3.5	Any 19 MHz	
VSWR(Input) (2402.5 ~ 2481.5MHz)			1.6	2		
VSWR(Output) (2402.5 ~ 2481.5MHz)			1.6	2		

Attenuation (reference level from 0 dB)					
699 ~ 960 MHz	dB	45	48	-	-
1425 ~ 2170 MHz	dB	35	39	-	
2300 ~ 2365 MHz	dB	45	49	-	
2365 ~ 2370 MHz	dB	43	52	-	
2370 ~ 2380 MHz	dB	10	46	-	
2496 ~ 2500 MHz	dB	11	48	-	-30 to -20°C
	dB	13	48	-	-20 to +85°C
2500 ~ 2505 MHz	dB	31	61	-	-30 to -20°C
	dB	35	61	-	-20 to -10°C
	dB	40	61	-	-10 to +85°C
2505 ~ 2570 MHz	dB	45	52	-	
2505 ~ 2690 MHz	dB	40	45	-	
4900 ~ 5805 MHz	dB	35	48	-	
7200 ~ 7500 MHz	dB	30	44	-	

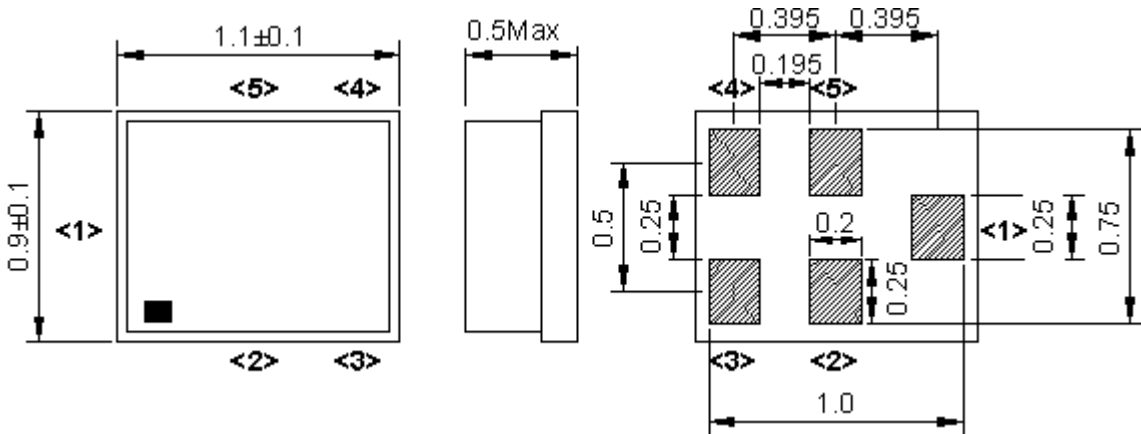
(*1) Specification of insertion loss excludes loss that comes from the test board.

(*2) Integrated Insertion Loss over 19MHz CH BW.

(*3) Integrated attenuation over 5MHz CH BW.

(*4) DC resistance at all ports might be less than 100M Ω at operating temperatures.

C.OUTLINE DRAWING:

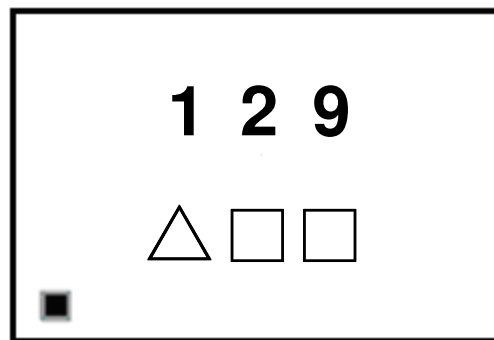


Not Specified Tolerance : +/-0.1 mm
Unit : mm

Pin Configuration

Pin No.	Symbol	Function
1	IN	Input
2	GND	Ground
3	GND	Ground
4	OUT	Output
5	GND	Ground

Top View (Mass Production)



Marking name : 129

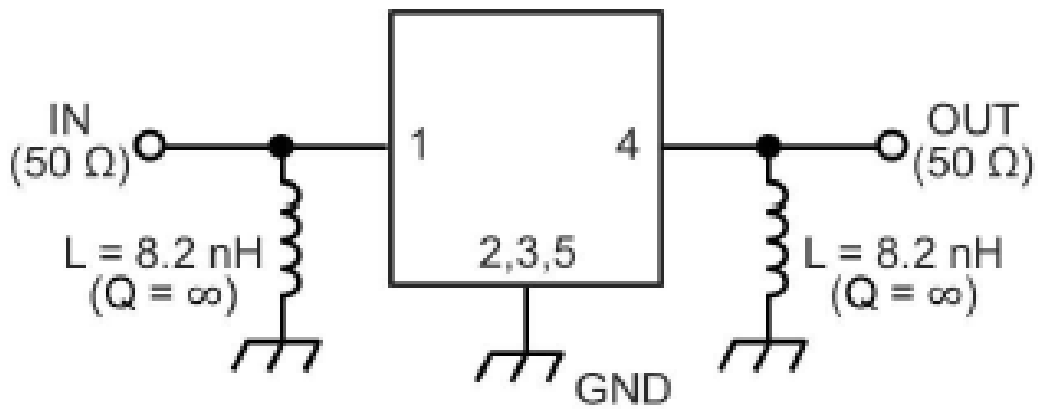
△ : Date Code

□ □ : Lot No. (Indicated by 0~9 or A to Z and a to z, except I, O, i, o and l)

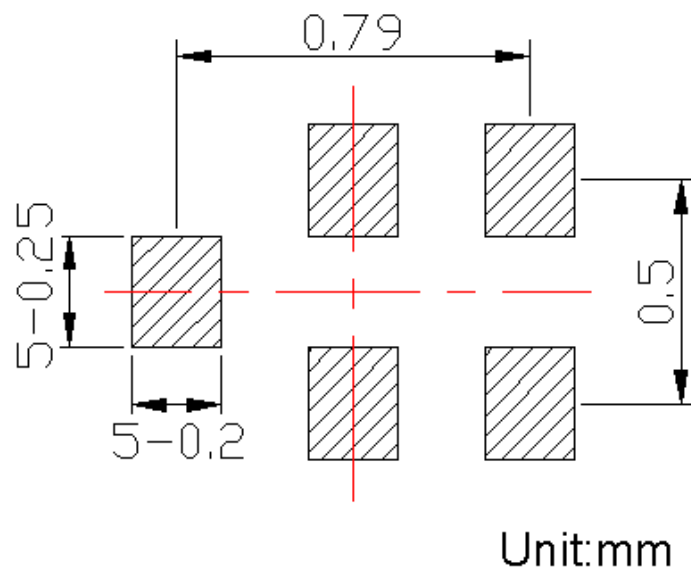
Date Code. Follow below table. (4-year cycle)

Year	Jan	Feb	Mar	Apr	May	Jun	Jul	Aug	Sep	Oct	Nov	Dec
2019 / 2023	a	b	c	d	e	f	g	h	j	k	l	m
2020 / 2024	n	p	q	r	s	t	u	v	w	x	y	z
2021 / 2025	A	B	C	D	E	F	G	H	J	K	L	M
2022 / 2026	N	P	Q	R	S	T	U	V	W	X	Y	Z

D.MEASUREMENT CIRCUIT:

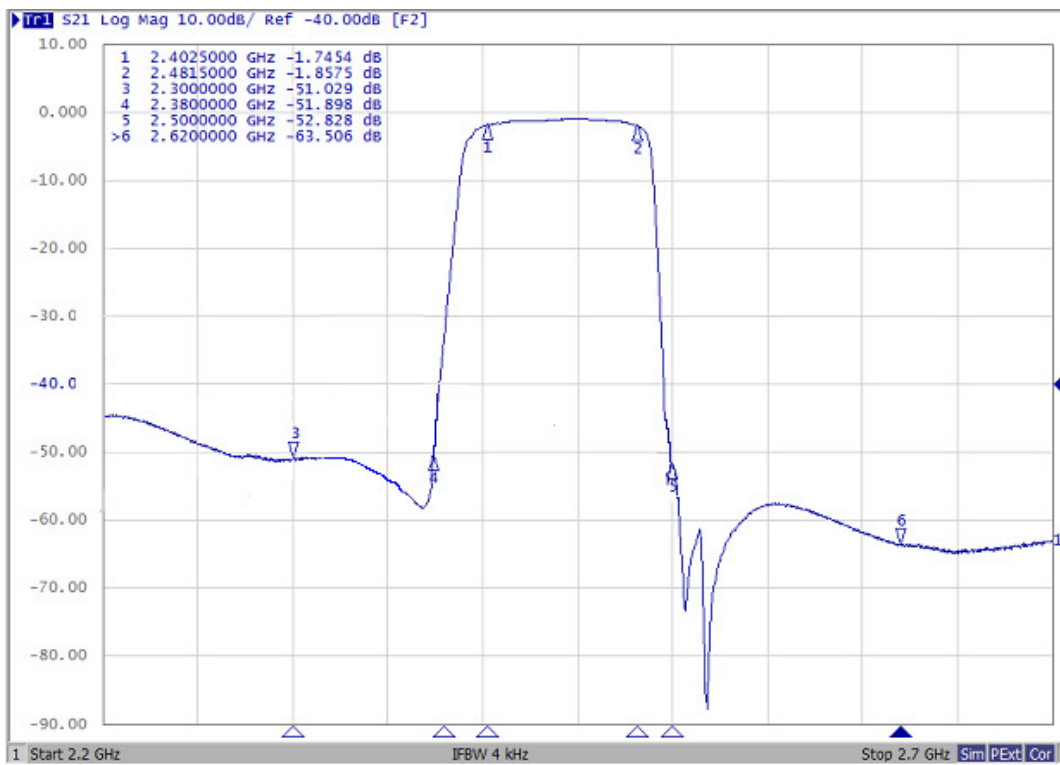


E.PCB Footprint :

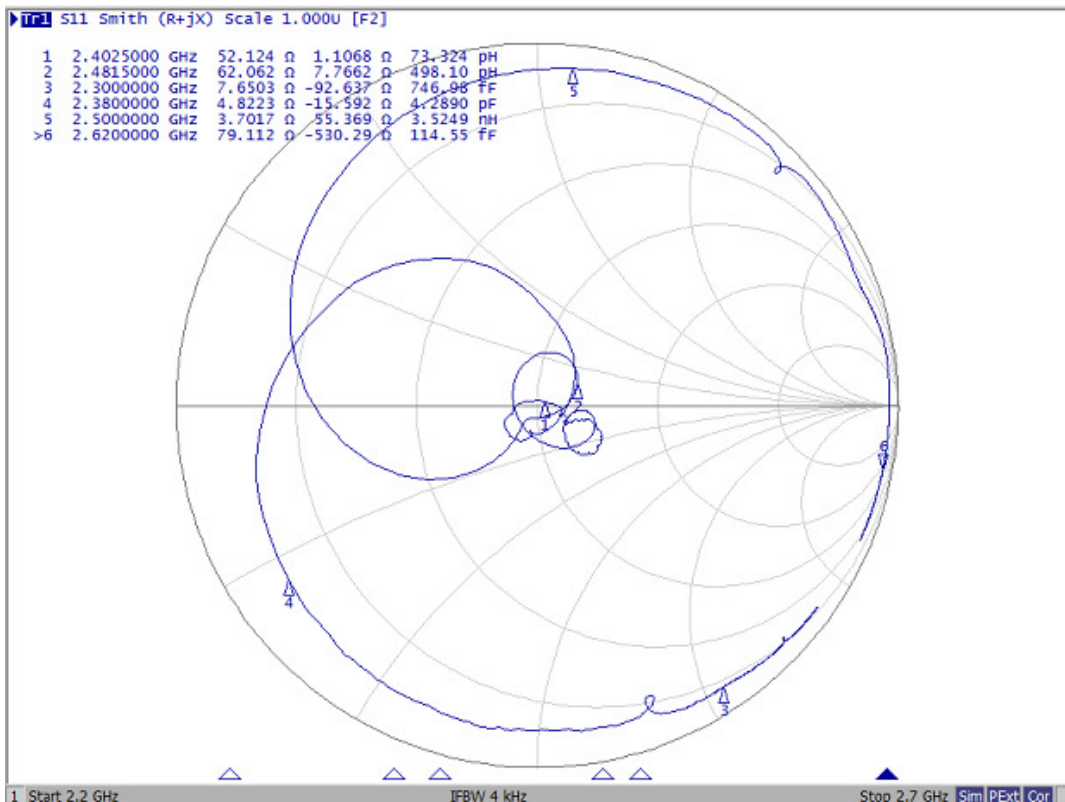
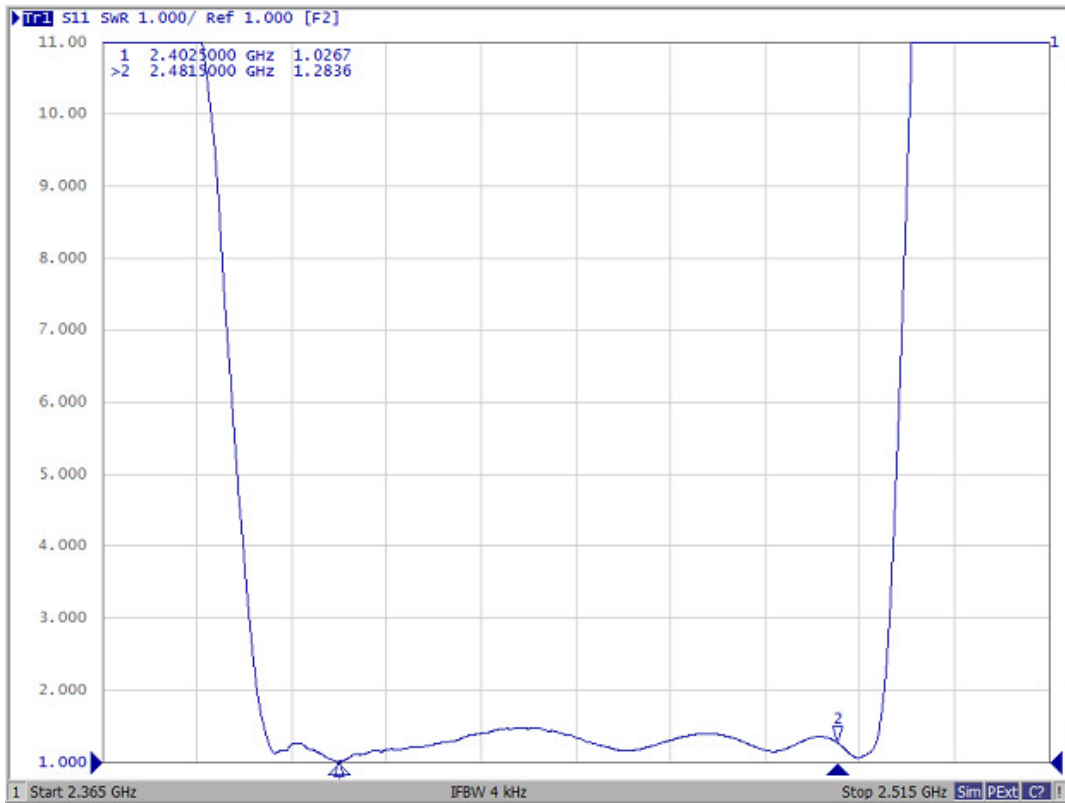


F.Frequency Characteristics

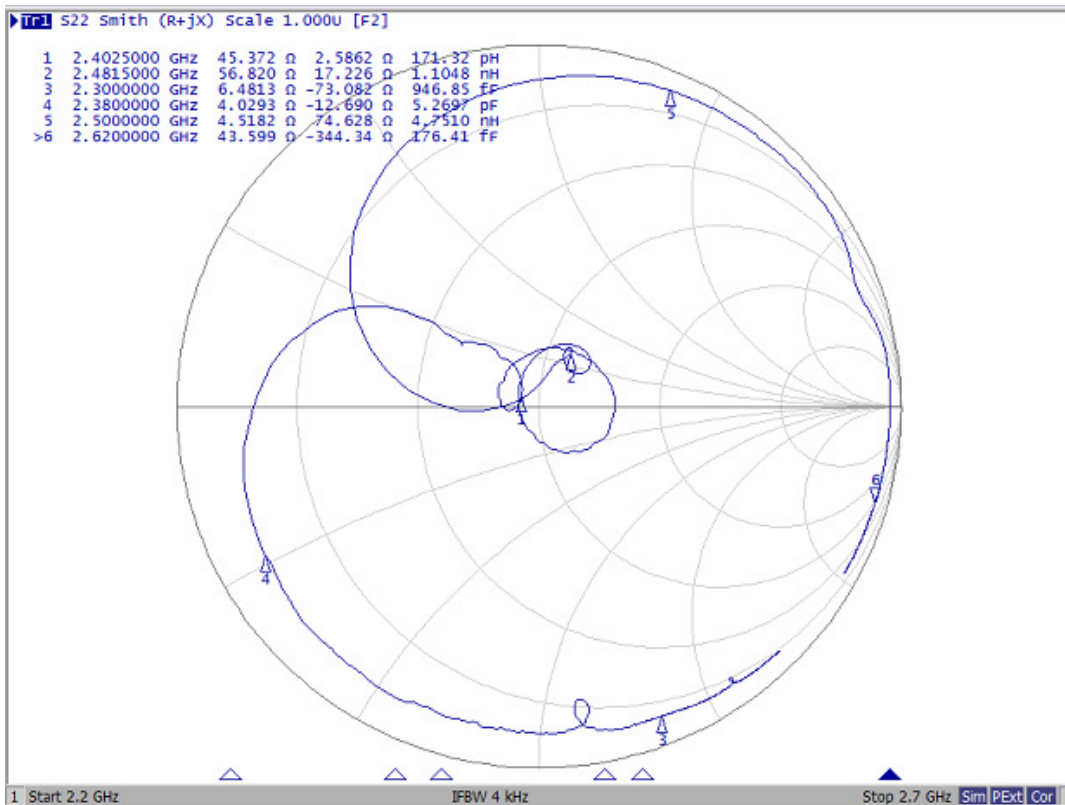
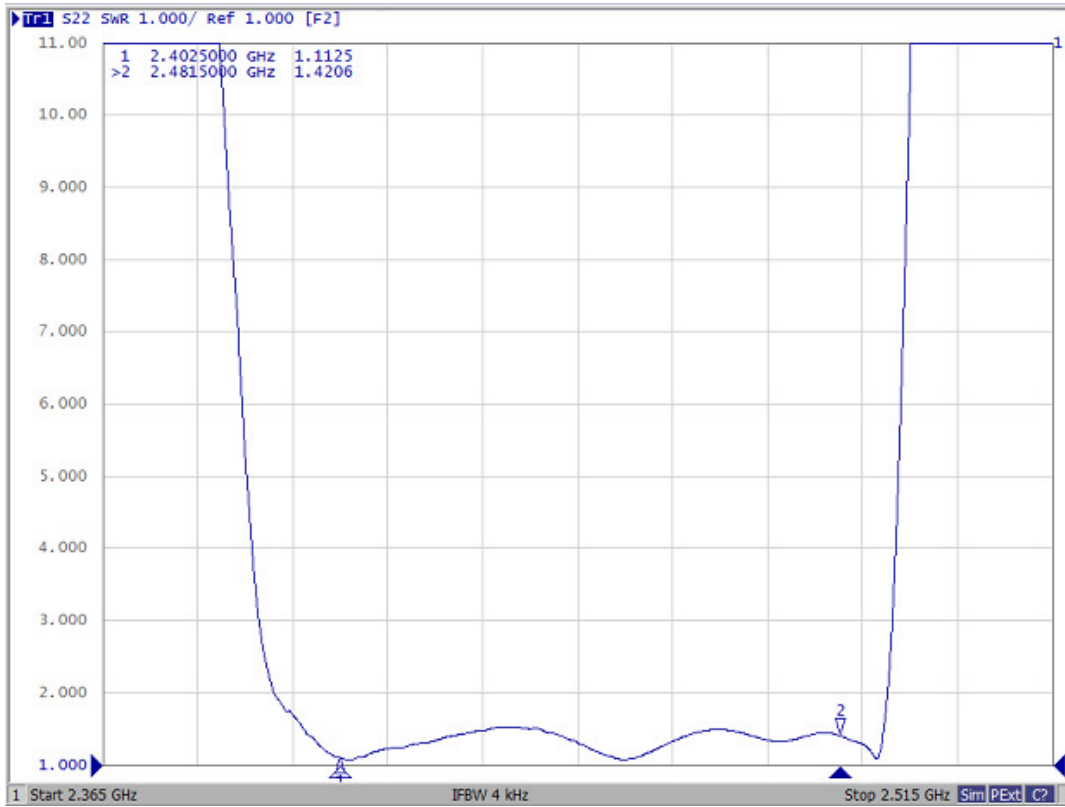
Passband



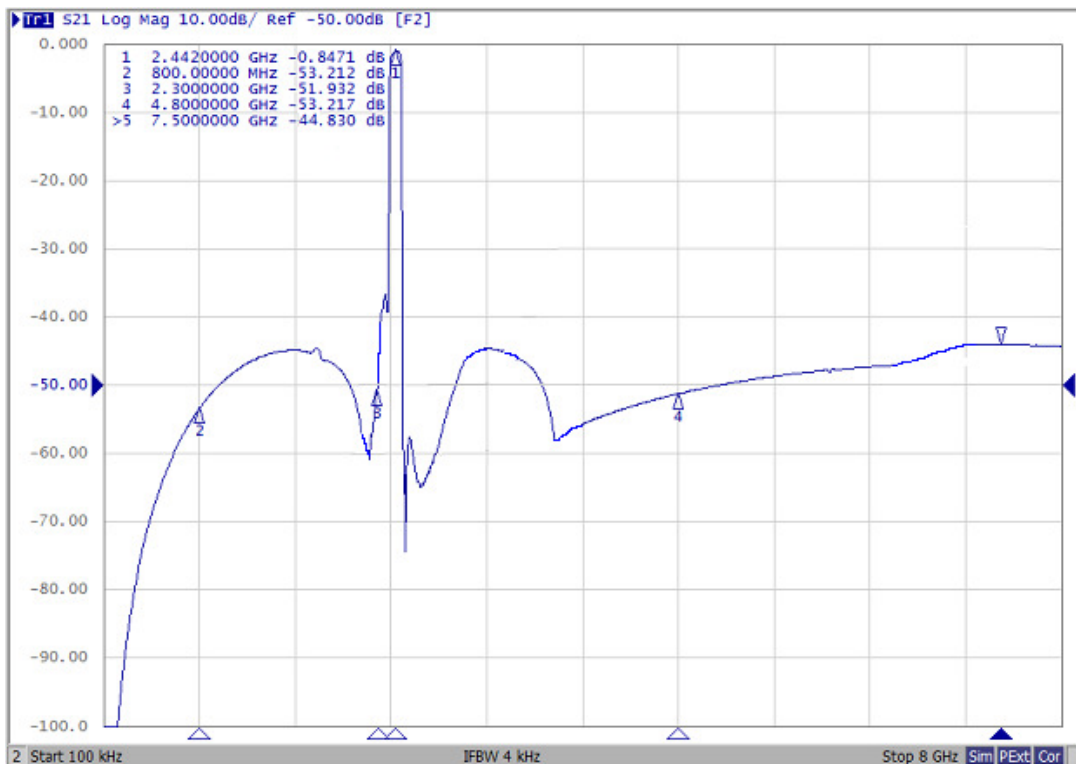
Ant Port



Tx/Rx Port



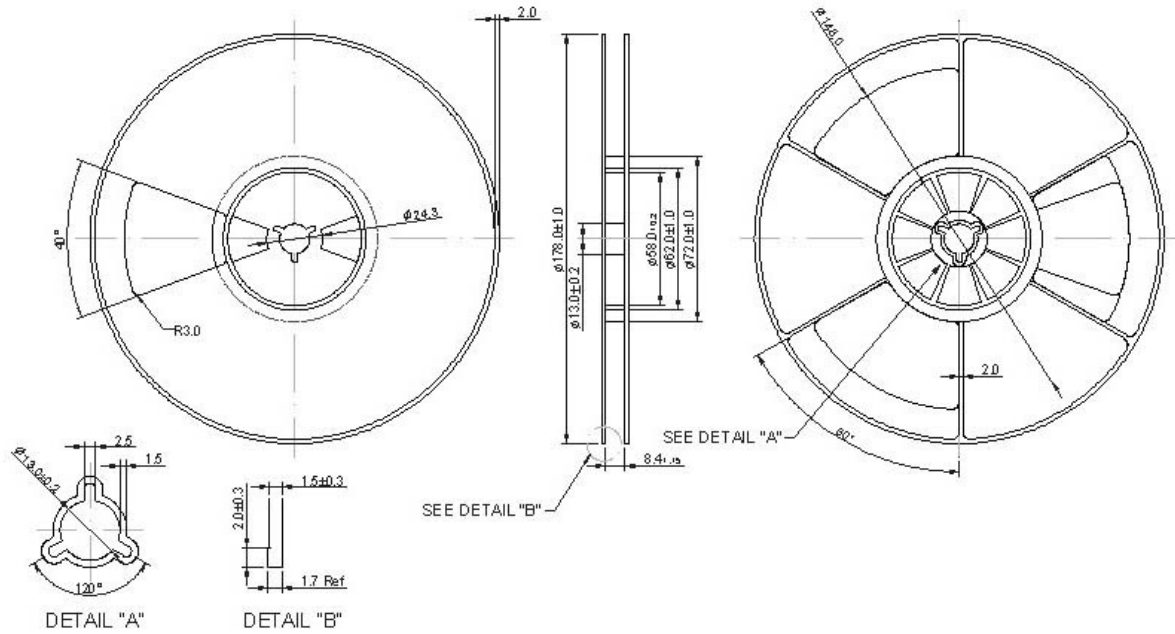
Wide span



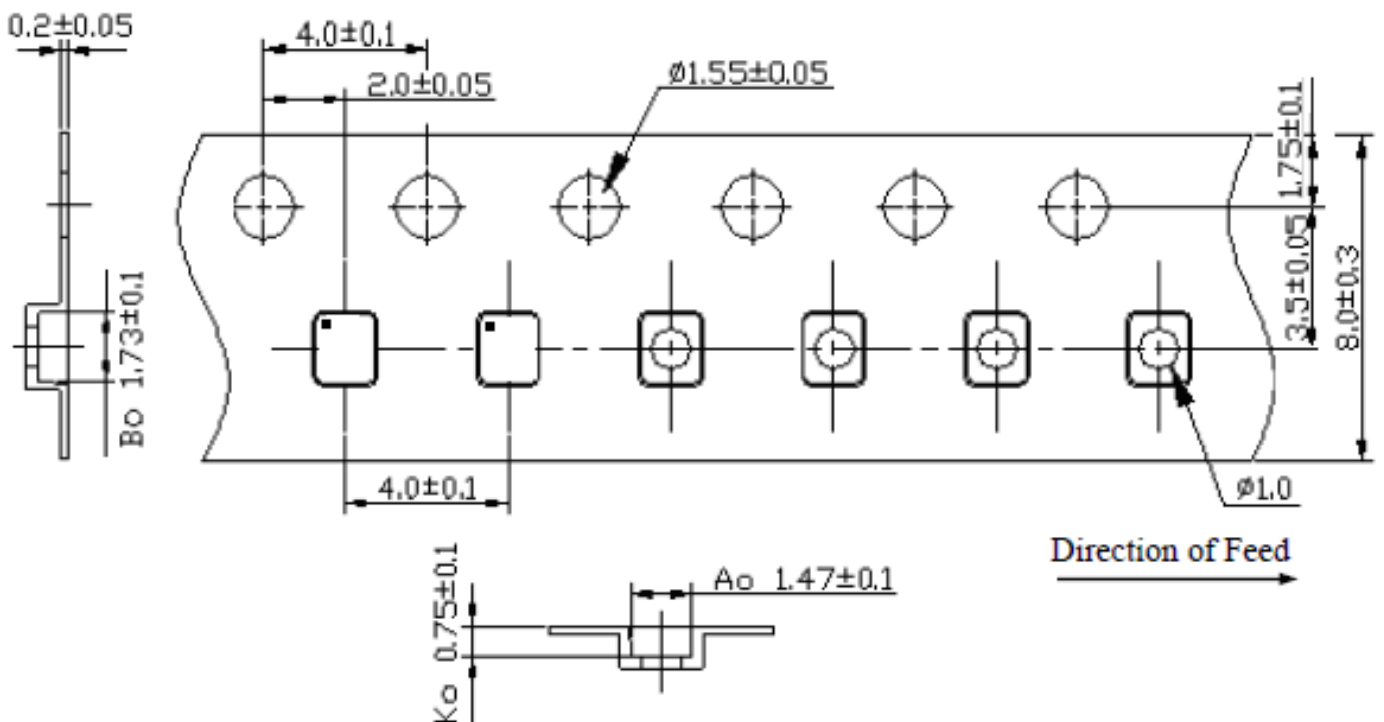
G. PACKING:

1. REEL DIMENSION

(Please refer to FR-75D10 for packing quantity)



2. TAPE DIMENSION



H. RECOMMENDED REFLOW PROFILE :

1. Preheating shall be fixed at 150~180°C for 60~90 seconds.
2. Ascending time to preheating temperature 150°C shall be 30 seconds min.
3. Heating shall be fixed at 220°C for 50~80 seconds and at 245~260°C peak (min. 10sec).
4. Time : 2 times.

