



# TAI-SAW TECHNOLOGY CO., LTD.

No. 3, Industrial 2nd Rd., Ping-Chen Industrial District,  
Taoyuan, 324, Taiwan, R.O.C.

TEL: 886-3-4690038 FAX: 886-3-4697532

E-mail: [tstsales@mail.taisaw.com](mailto:tstsales@mail.taisaw.com) Web: [www.taisaw.com](http://www.taisaw.com)


## Product Specifications Approval Sheet

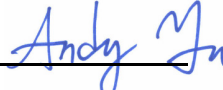
Product Description: SAW Filter 2595 MHz LTE Band38 SMD 1411 (BW= 50MHz)

TST Part No.: TA1962A

Customer Part No.: \_\_\_\_\_

Customer signature required
Company: _____
Division: _____
Approved by : _____
Date: _____

Checked by: \_\_\_\_\_ Anne Chen 

Approved by: \_\_\_\_\_ Andy Yu 

Date: \_\_\_\_\_ 2019/12/13

1. Customer signed back is required before TST can proceed with sample build and receive orders.
2. Orders received without customer signed back will be regarded as agreement on the specifications.
3. Any specifications changes must be approved upon by both parties and a new revision of specifications shall be released to reflect the changes.



# TAI-SAW TECHNOLOGY CO., LTD.

No. 3, Industrial 2nd Rd., Ping-Chen Industrial District,  
Taoyuan, 324, Taiwan, R.O.C.

TEL: 886-3-4690038 FAX: 886-3-4697532

E-mail: [tstsales@mail.taisaw.com](mailto:tstsales@mail.taisaw.com) Web: [www.taisaw.com](http://www.taisaw.com)

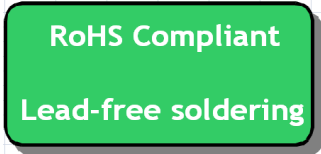
## SAW Filter 2595MHz 50MHz BW SMD1.4x1.1mm

MODEL NO.:TA1962A

REV. NO.:4

### A. MAXIMUM RATING:

1. Input Power Level: 28dBm
2. DC Voltage : 0V
3. Operating Temperature: -30 °C to +85 °C
4. Storage Temperature: -40 °C to +85 °C
5. Moisture Sensitivity Level:Leve3(MSL 3)
6. ESD 50V(MM) 100V(HBM)



Electrostatic Sensitive Device (ESD)

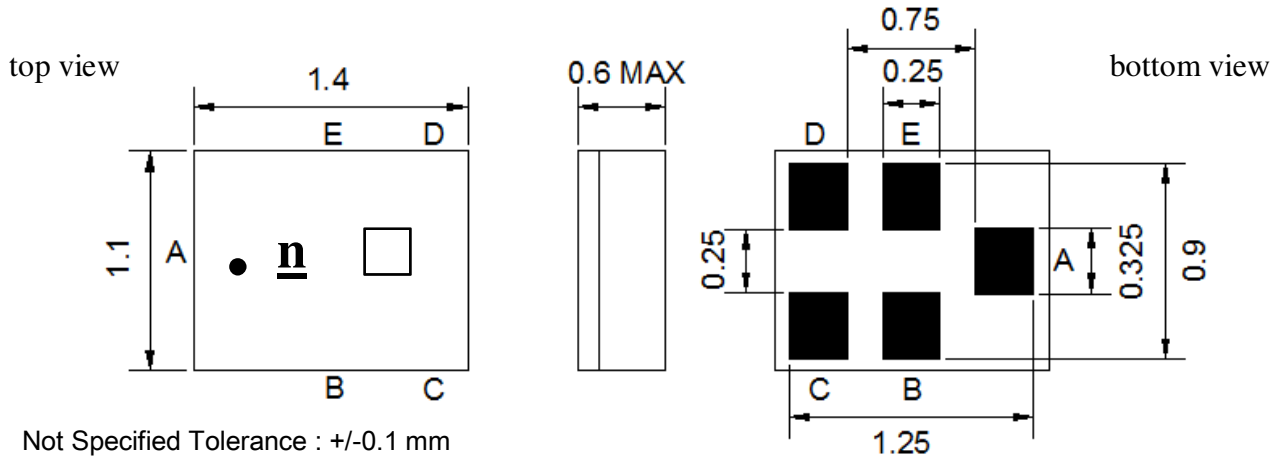
### B. ELECTRICAL CHARACTERISTICS:

Terminating source impedance :  $Z_s = 50 \Omega$

Terminating load impedance :  $Z_L = 50 \Omega$

Item	Unit	Min.	Typ.	Max.	Note
<b>Center Frequency</b>	<b>Fc</b>	MHz	-	2595	-
<b>Insertion Loss</b> (2570~2620 MHz)	<b>IL</b>	dB	-	1.8	2.5
<b>Amplitude ripple</b> (2570~2620 MHz)		dBp-p	-	1.0	1.7
<b>VSWR</b> (2570~2620 MHz)			-	1.9	2.2
<b>Attenuation</b> (reference level from 0 dB)					
10 ~ 200 MHz	dB	30	42	-	-
200 ~ 1570 MHz	dB	20	27		
1570 ~ 1580 MHz	dB	20	27		
1580 ~ 2000 MHz	dB	20	27	-	-
2000 ~ 2300 MHz	dB	20	27	-	-
2300 ~ 2400 MHz	dB	25	30	-	-
2400 ~ 2485 MHz	dB	25	34	-	-
2485 ~ 2510 MHz	dB	25	31	-	-
2510 ~ 2555 MHz	dB	1.0	2.3	-	-
2635 ~ 2680 MHz	dB	1.0	3.2		
2680 ~ 2705 MHz	dB	30	36		
2705 ~ 3000 MHz	dB	25	30		
3000 ~ 4000 MHz	dB	25	30		
4000 ~ 4900 MHz	dB	25	36		
4900 ~ 6000 MHz	dB	20	28		
<b>Temperature Coefficient of Frequency</b>	ppm/°C		-36	-	-

### C.OUTLINE DRAWING:



Not Specified Tolerance : +/-0.1 mm

Pin Description	
B, C, E	Ground
A	Input
D	Output

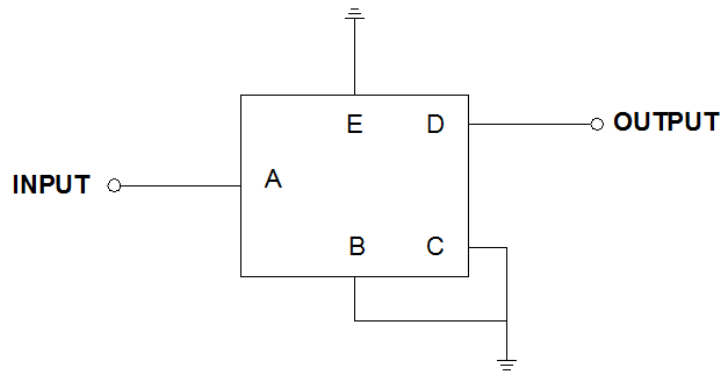
### Marking Descriptions

n : Series Number

□ : Year/Month Code .Follow the table. (8-year cycle)

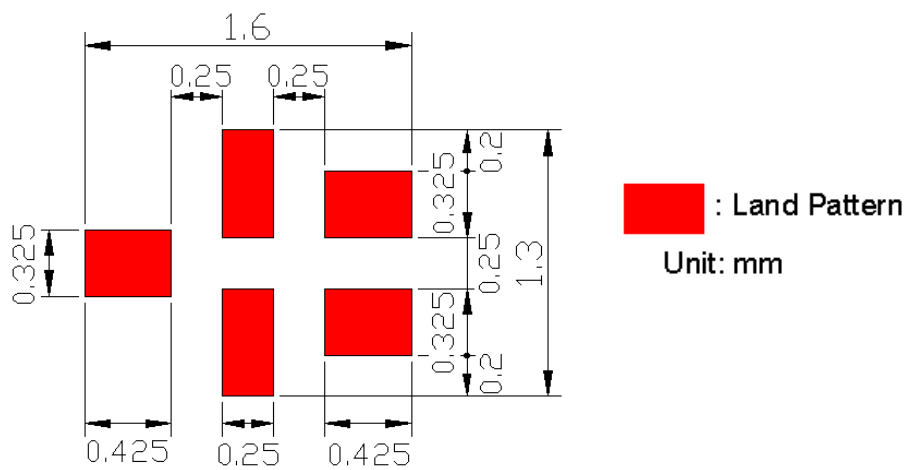
YEAR/Month	1	2	3	4	5	6	7	8	9	10	11	12
2013 / 2021	<u>A</u>	<u>B</u>	<u>C</u>	<u>D</u>	<u>E</u>	<u>F</u>	<u>G</u>	<u>H</u>	<u>J</u>	<u>K</u>	<u>L</u>	<u>M</u>
2014 / 2022	<u>N</u>	<u>P</u>	<u>Q</u>	<u>R</u>	<u>S</u>	<u>T</u>	<u>U</u>	<u>V</u>	<u>W</u>	<u>X</u>	<u>Y</u>	<u>Z</u>
2015 / 2023	<u>a</u>	<u>b</u>	<u>c</u>	<u>d</u>	<u>e</u>	<u>f</u>	<u>g</u>	<u>h</u>	<u>j</u>	<u>k</u>	<u>l</u>	<u>m</u>
2016 / 2024	<u>n</u>	<u>p</u>	<u>q</u>	<u>r</u>	<u>s</u>	<u>t</u>	<u>u</u>	<u>v</u>	<u>w</u>	<u>x</u>	<u>y</u>	<u>z</u>
2017 / 2025	<u>A</u>	<u>B</u>	<u>C</u>	<u>D</u>	<u>E</u>	<u>F</u>	<u>G</u>	<u>H</u>	<u>J</u>	<u>K</u>	<u>L</u>	<u>M</u>
2018 / 2026	<u>N</u>	<u>P</u>	<u>Q</u>	<u>R</u>	<u>S</u>	<u>T</u>	<u>U</u>	<u>V</u>	<u>W</u>	<u>X</u>	<u>Y</u>	<u>Z</u>
2019 / 2027	<u>a</u>	<u>b</u>	<u>c</u>	<u>d</u>	<u>e</u>	<u>f</u>	<u>g</u>	<u>h</u>	<u>i</u>	<u>k</u>	<u>l</u>	<u>m</u>
2020 / 2028	<u>n</u>	<u>p</u>	<u>q</u>	<u>r</u>	<u>s</u>	<u>t</u>	<u>u</u>	<u>v</u>	<u>w</u>	<u>x</u>	<u>y</u>	<u>z</u>

**D. MEASUREMENT CIRCUIT:**



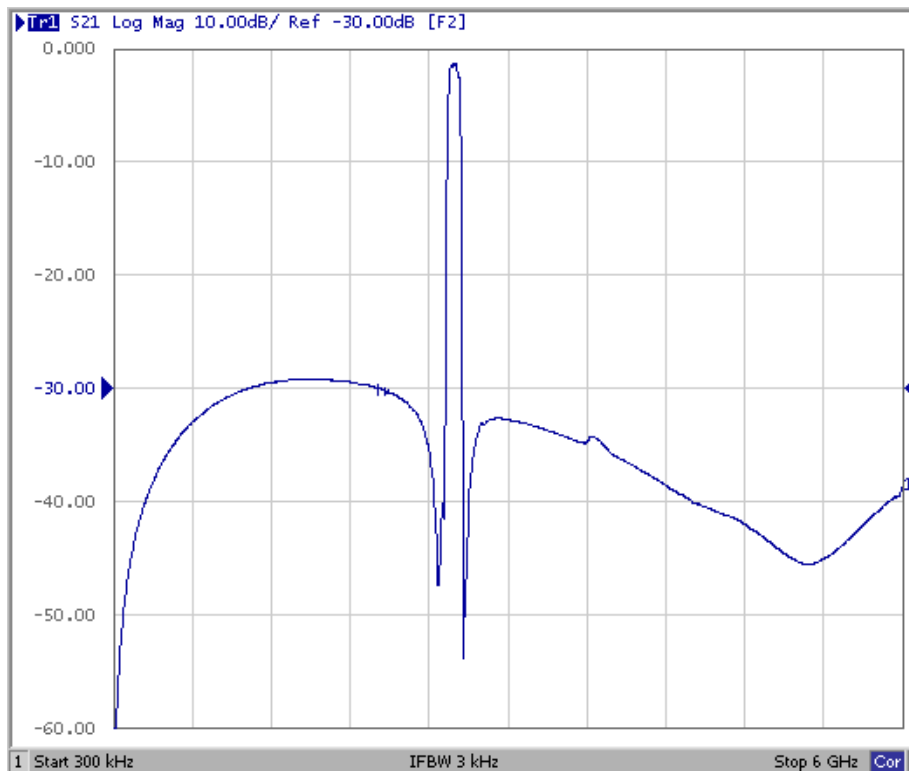
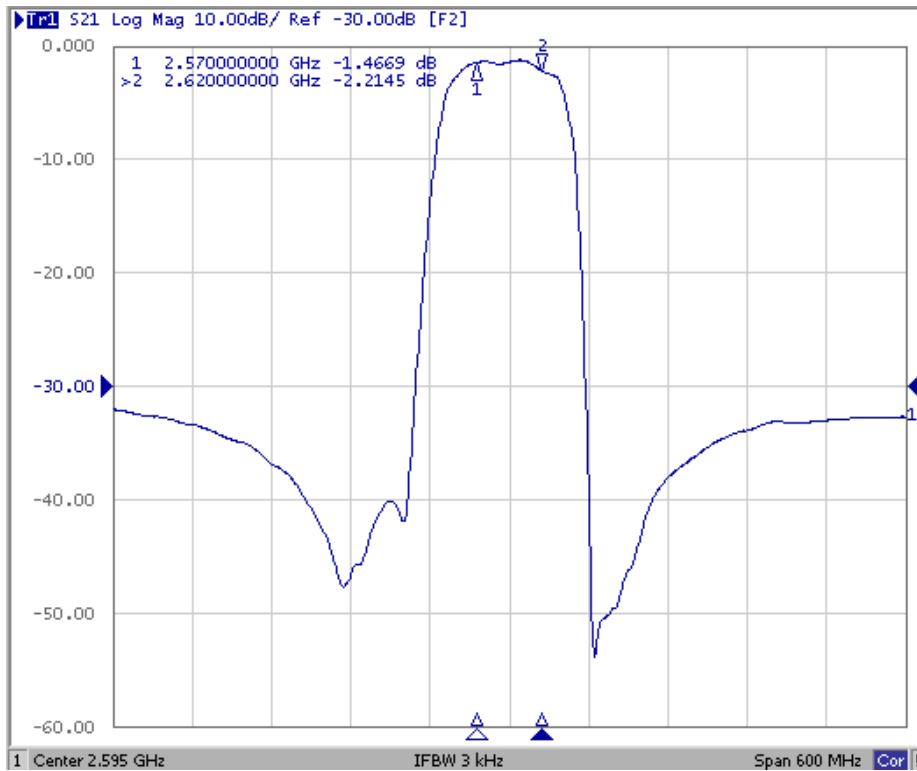
Source & Load Impedance: 50  $\Omega$

**E. PCB Footprint :**



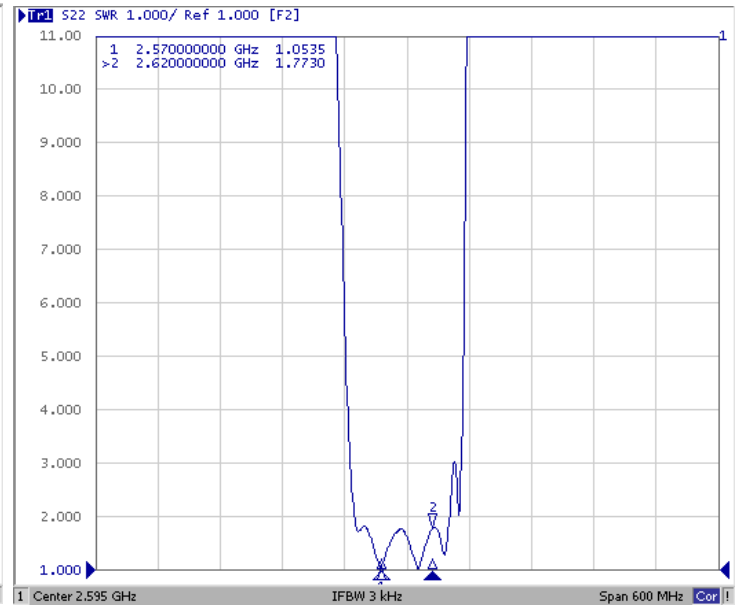
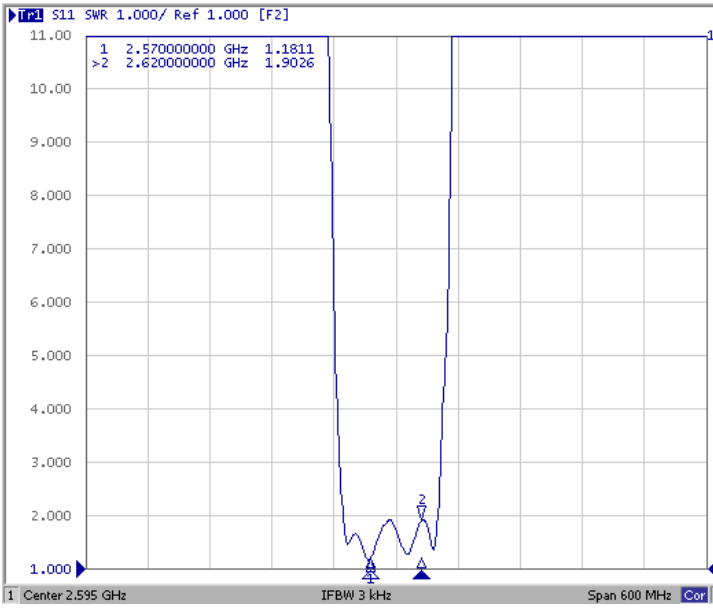
## F. Frequency Characteristics :

### Passband

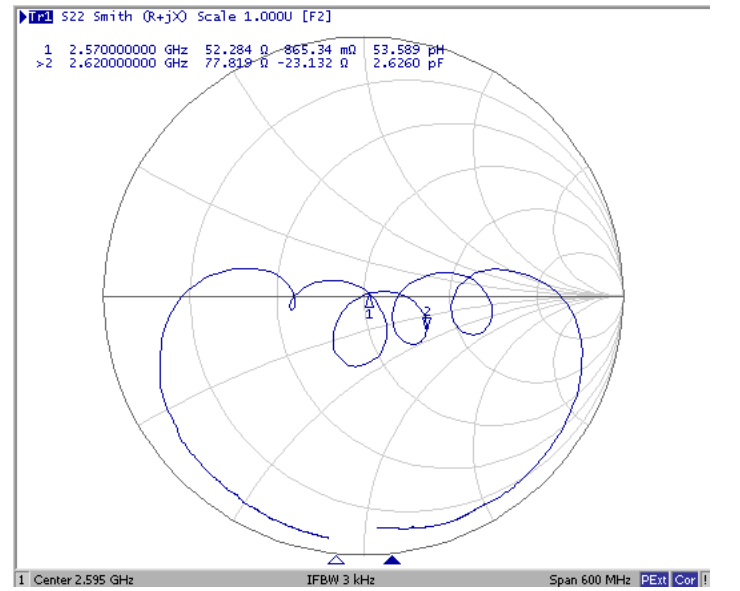
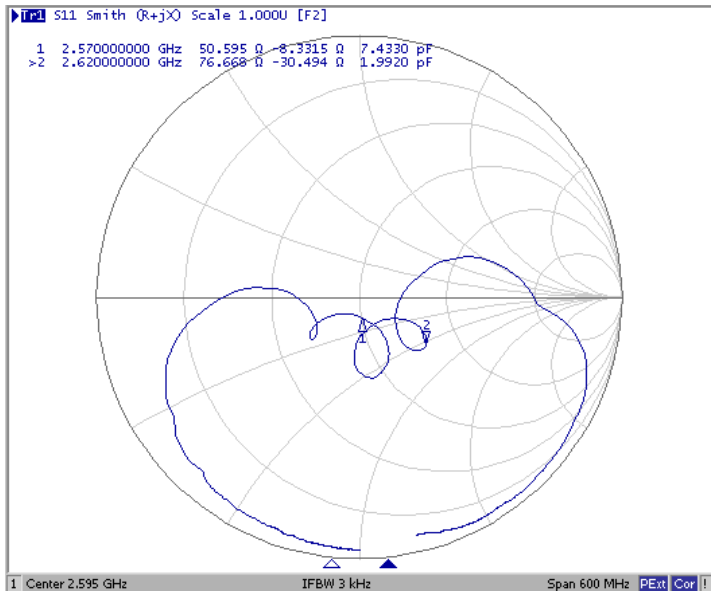


# Reflection Functions :

## VSWR



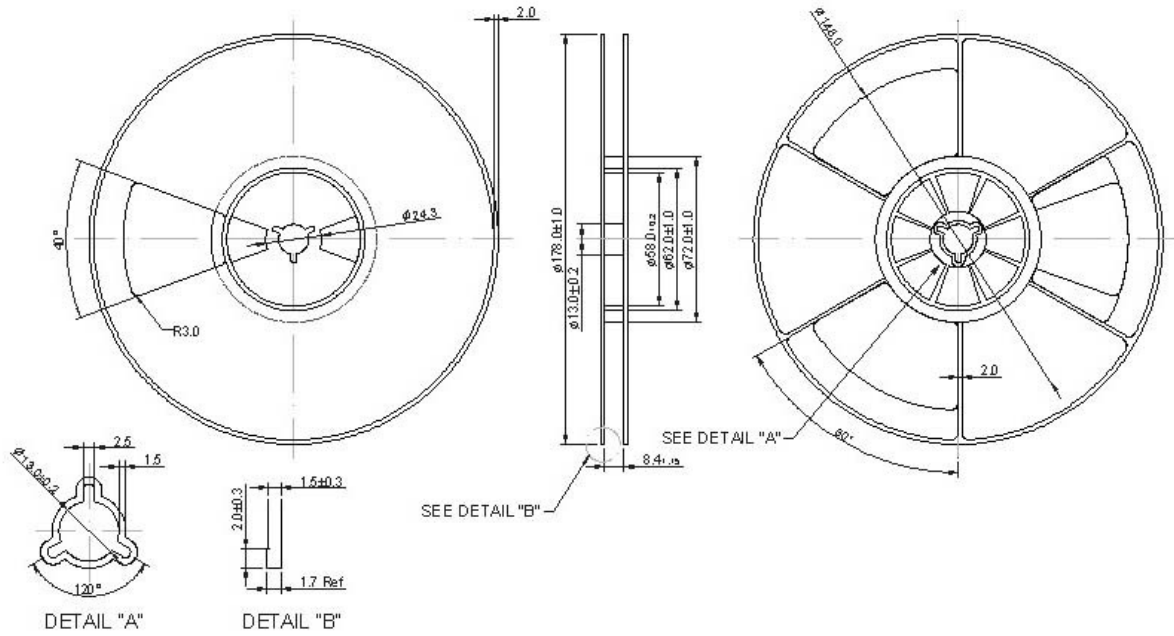
## Smith Char



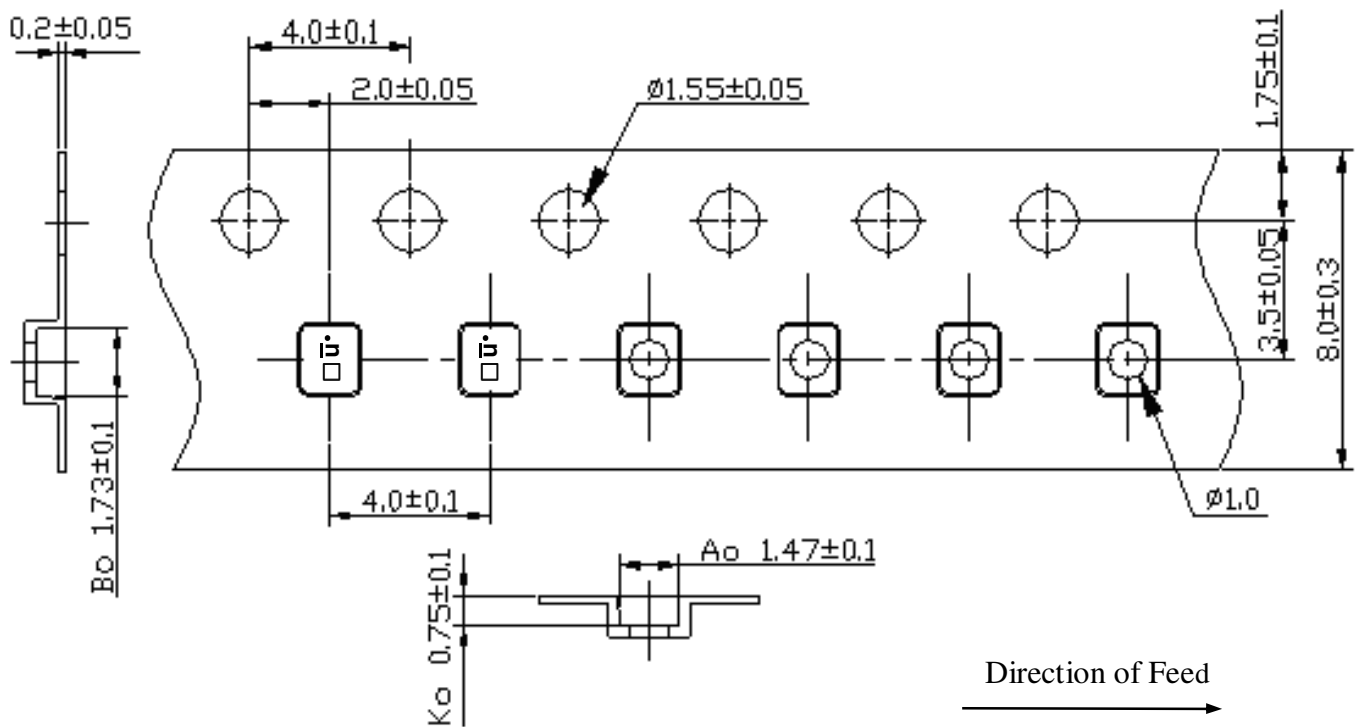
**G. PACKING:**

**1. REEL DIMENSION**

(Please refer to FR-75D10 for packing quantity)



**3. TAPE DIMENSION**



## H. RECOMMENDED REFLOW PROFILE :

1. Preheating shall be fixed at 150~180°C for 60~90 seconds.
2. Ascending time to preheating temperature 150°C shall be 30 seconds min.
3. Heating shall be fixed at 220°C for 50~80 seconds and at 245~260°C peak (min. 10sec).
4. Time : 2 times.

