

A. MAXIMUM RATING:

1. Input Power Level: 10 dB_m
2. DC voltage: 3 V
3. Operating Temperature: : -40 °C to +85 °C
4. Storage Temperature: -40 °C to +85 °C
5. Moisture Sensitivity Level: Level 1 (**MSL 1**)

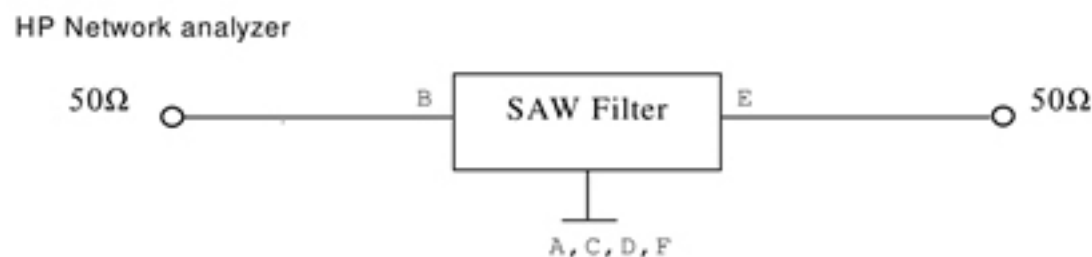
RoHS Compliant
 Lead free
 Lead-free soldering

Electrostatic Sensitive Device

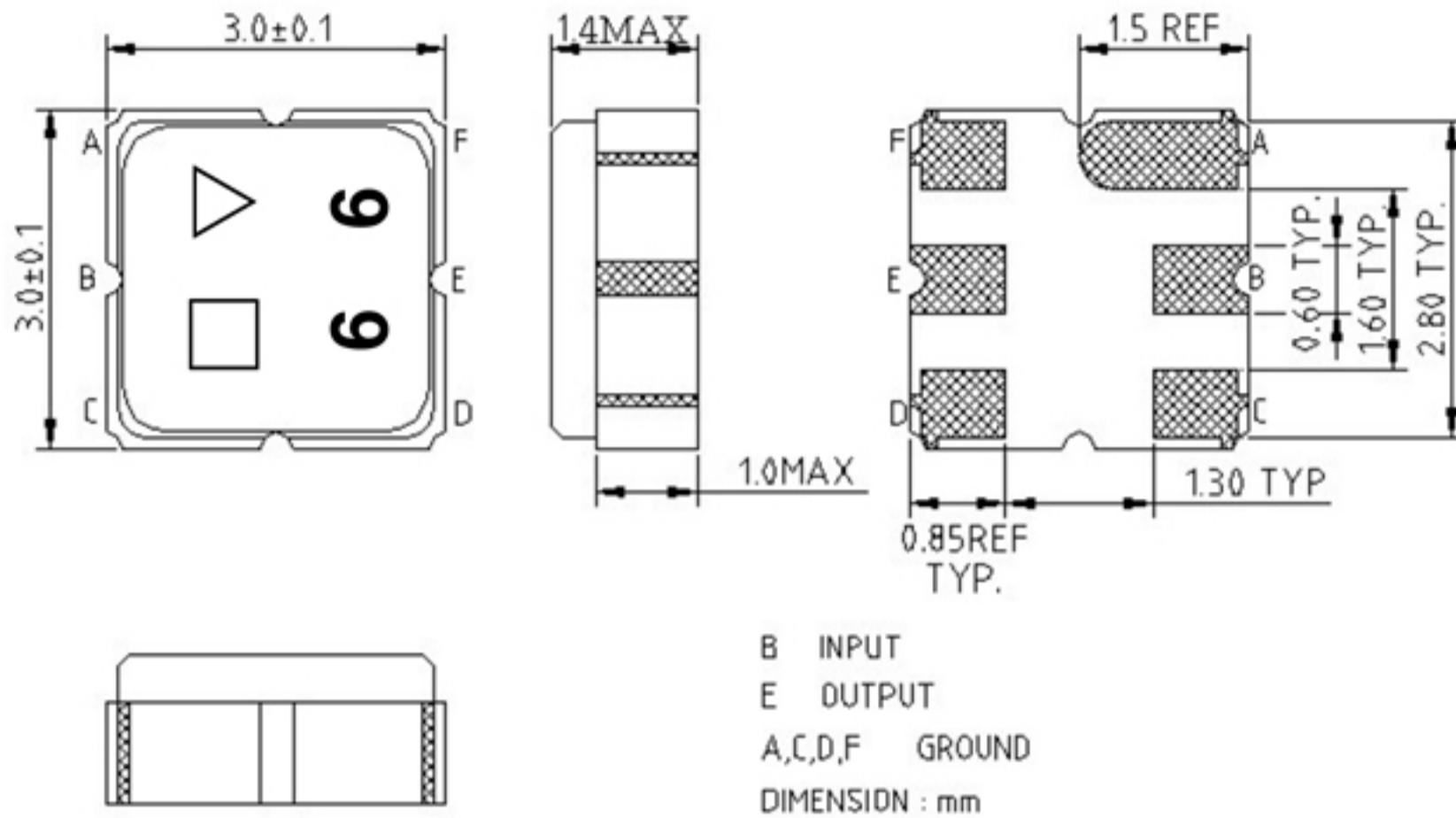
B. ELECTRICAL CHARACTERISTICS:

Item	Unit	Min.	Typ.	Max.
Center frequency Fc	MHz	-	1795	-
Insertion loss within 1787.5 ~1802.5 MHz IL	dB	-	1.5	3.5
Amplitude ripple (p-p) within 1787.5 ~ 1802.5 MHz	dB	-	0.2	2.0
Group Delay (1787.5 ~ 1802.5 MHz)	ns	-	15.0	40.0
Return Loss (1787.5 ~ 1802.5 MHz)	dB	10	15	-
Attenuation (Reference level from 0 dB)				
800 ~ 1730 MHz	dB	30	37	-
1730 ~ 1740 MHz	dB	20	37	-
1740 ~ 1755 MHz	dB	6	17	-
1835 ~ 1845 MHz	dB	6	19	-
1845 ~ 2800 MHz	dB	30	41	-
Source impedance Z _s	Ω	-	50	-
Load impedance Z _L	Ω	-	50	-

C. MEASUREMENT CIRCUIT:



D. OUTLINE DRAWING:



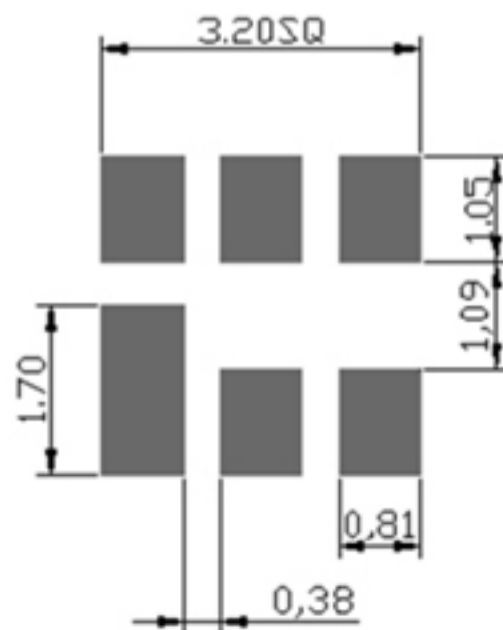
△ : Year Code(2007→7, ... 2013→3, ..., 2019→9)

□ : Date Code(Follow the table from planner each year)

Date Code Table:

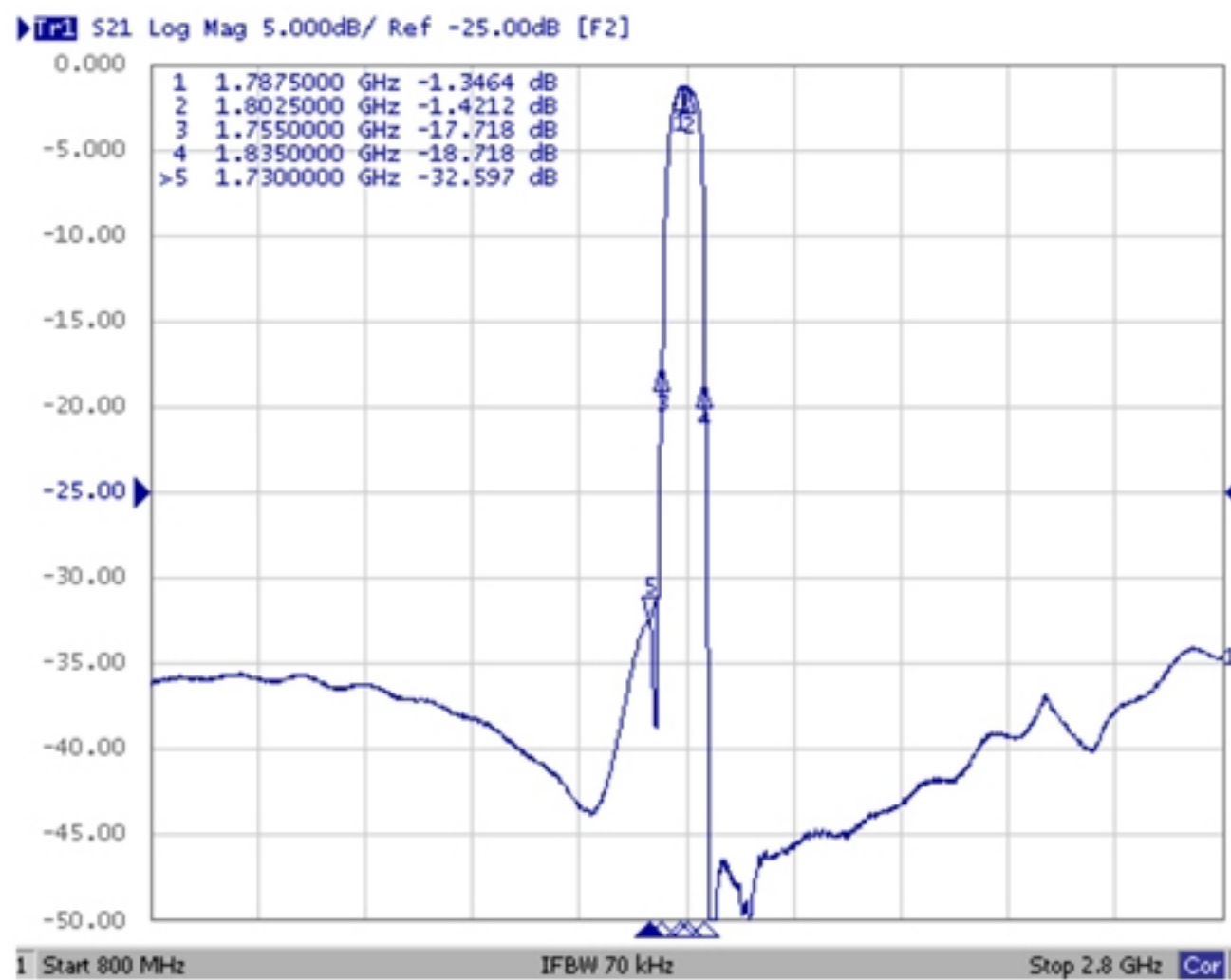
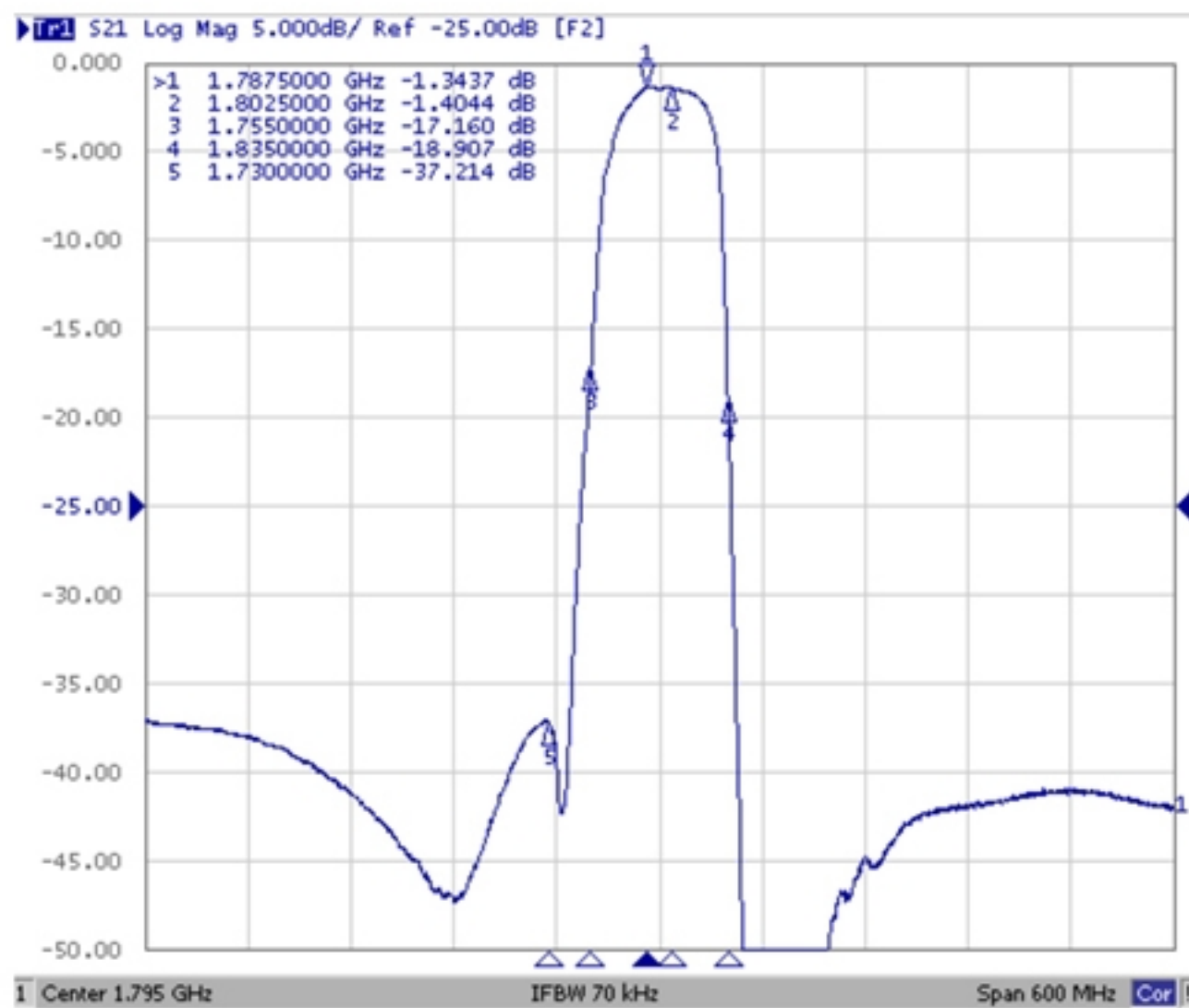
WK01	WK02	WK03	WK04	WK05	WK06	WK07	WK08	WK09	WK10	WK11	WK12	WK13
A	B	C	D	E	F	G	H	I	J	K	L	M
WK14	WK15	WK16	WK17	WK18	WK19	WK20	WK21	WK22	WK23	WK24	WK25	WK26
N	O	P	Q	R	S	T	U	V	W	X	Y	Z
WK27	WK28	WK29	WK30	WK31	WK32	WK33	WK34	WK35	WK36	WK37	WK38	WK39
a	b	c	d	e	f	g	h	i	j	k	l	m
WK40	WK41	WK42	WK43	WK44	WK45	WK46	WK47	WK48	WK49	WK50	WK51	WK52
n	o	p	q	r	s	t	u	v	w	x	y	z

E. PCB FOOTPRINT :



F. FREQUENCY CHARACTERISTICS:

Transfer function



Group Delay



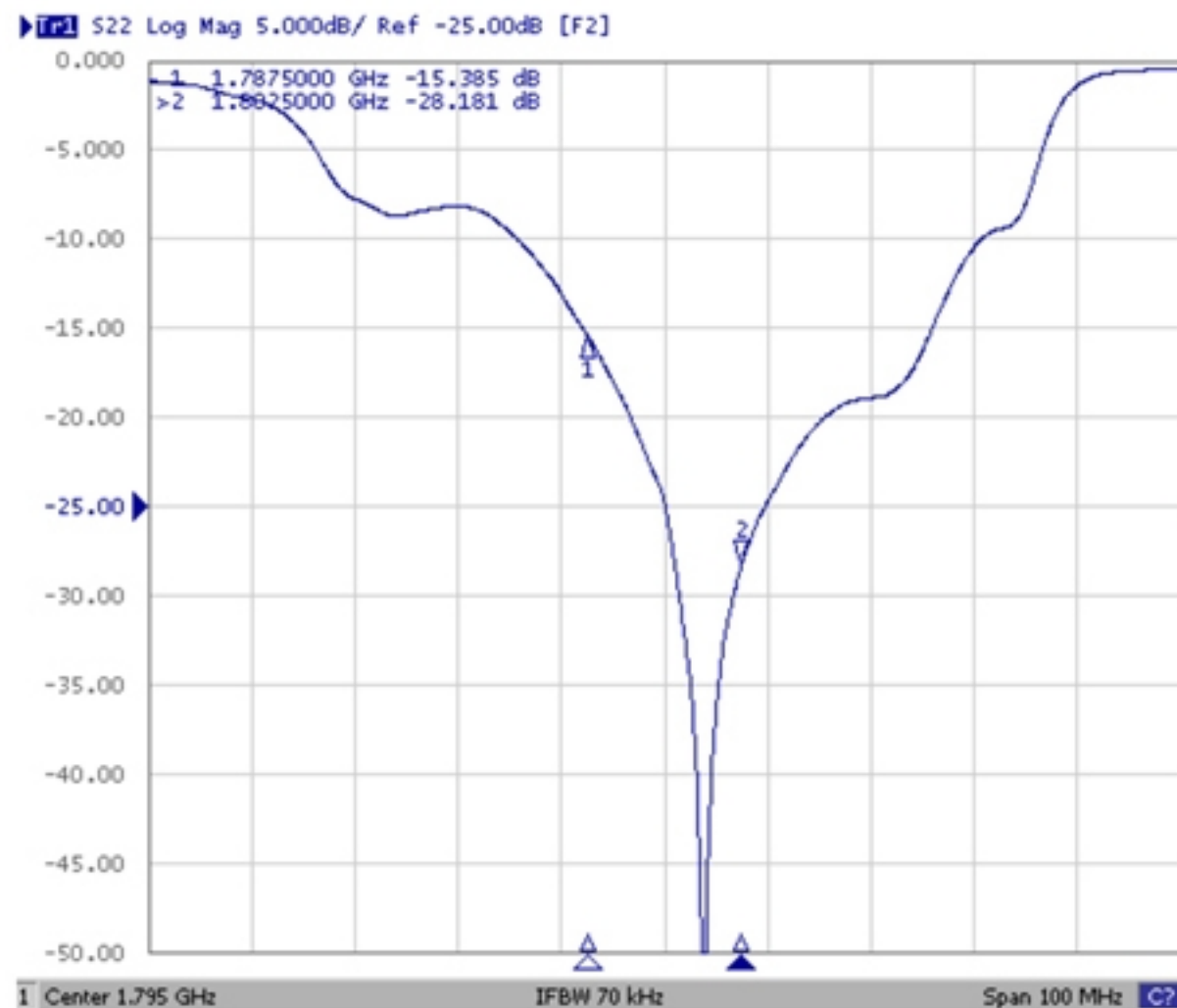
Reflection Functions :

Return Loss

S11



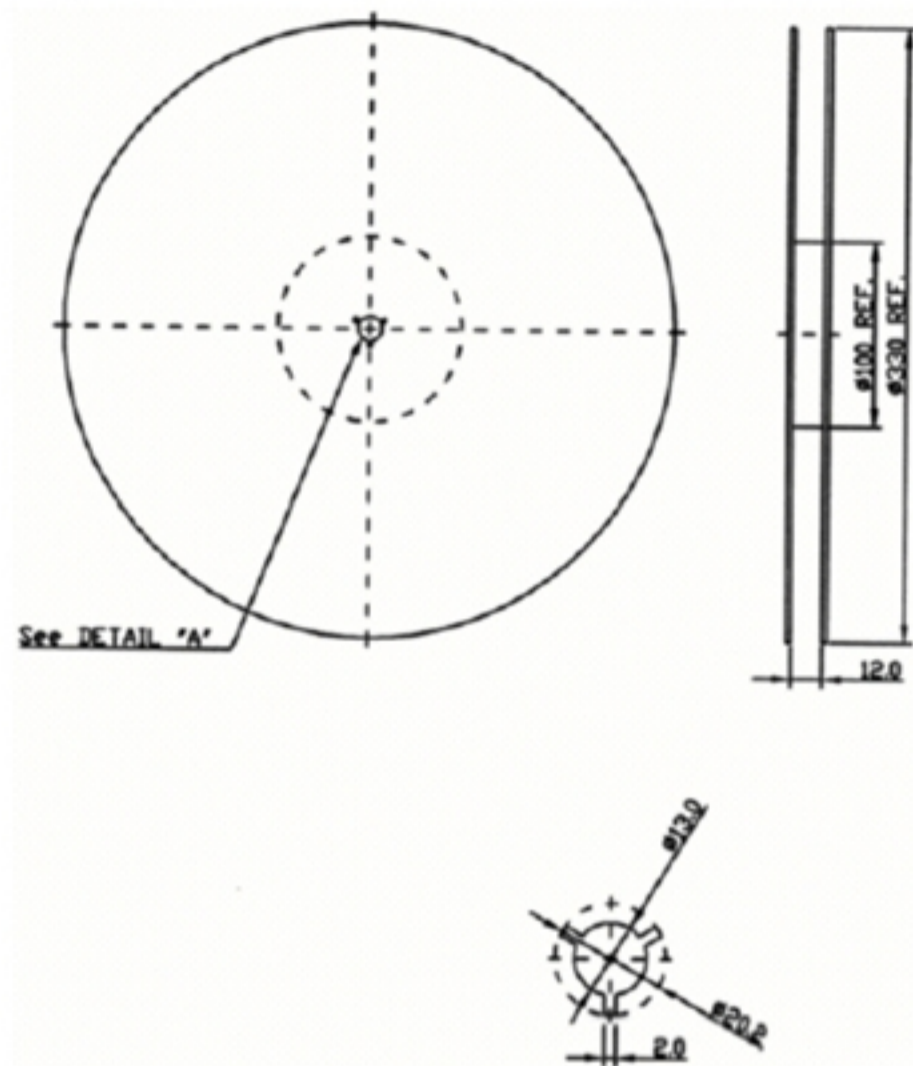
S22



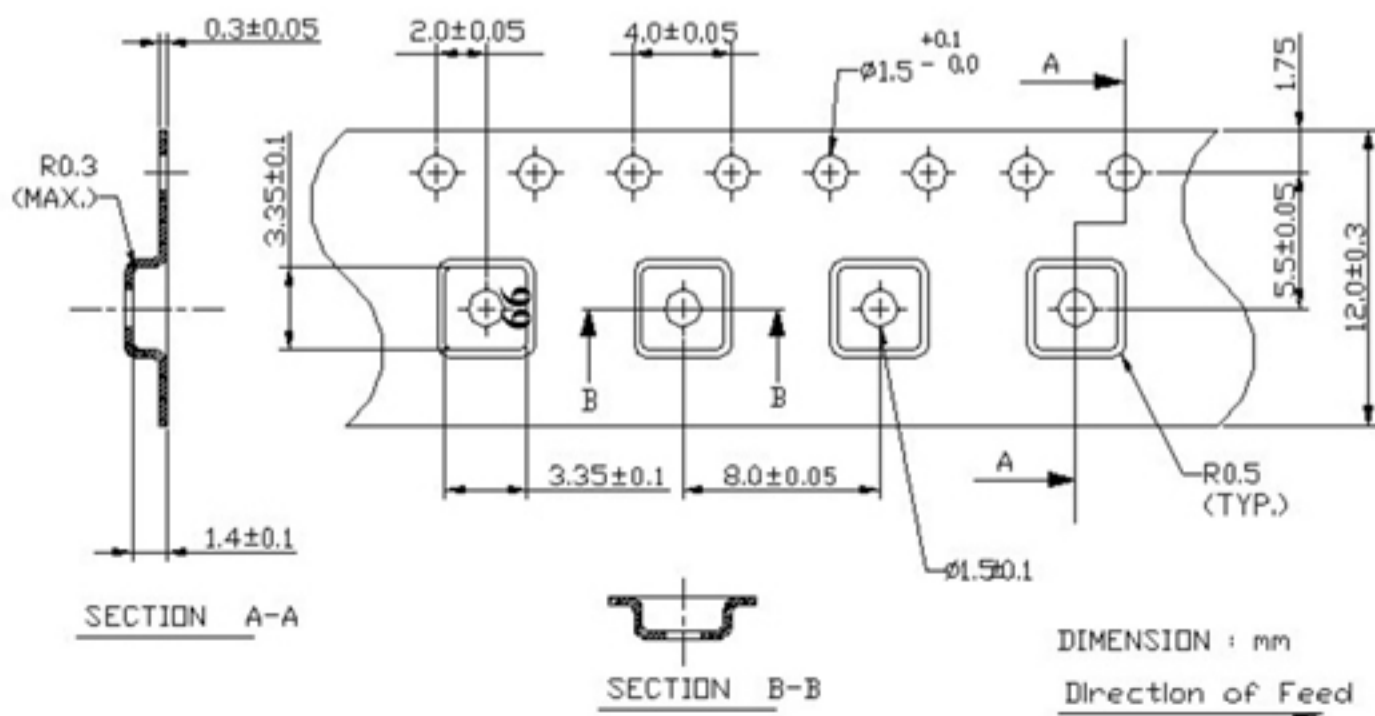
G. PACKING:

1. REEL DIMENSION

(Please refer to FR-75D10 for packing quantity)



2. TAPE DIMENSION



H. RECOMMENDED REFLOW PROFILE:

