

SAW Filter 1600 MHz (BW57MHz) SMD 1.4X1.1 mm

MODEL NO.:TA2023A

REV. NO.:2.0

A. MAXIMUM RATING:

1. Input Power Level: 20 dBm
2. DC Voltage : 5V
3. Operating Temperature: -40 °C to +85 °C
4. Storage Temperature: -40 °C to +85 °C
5. Moisture Sensitive Level: MSL Level 3



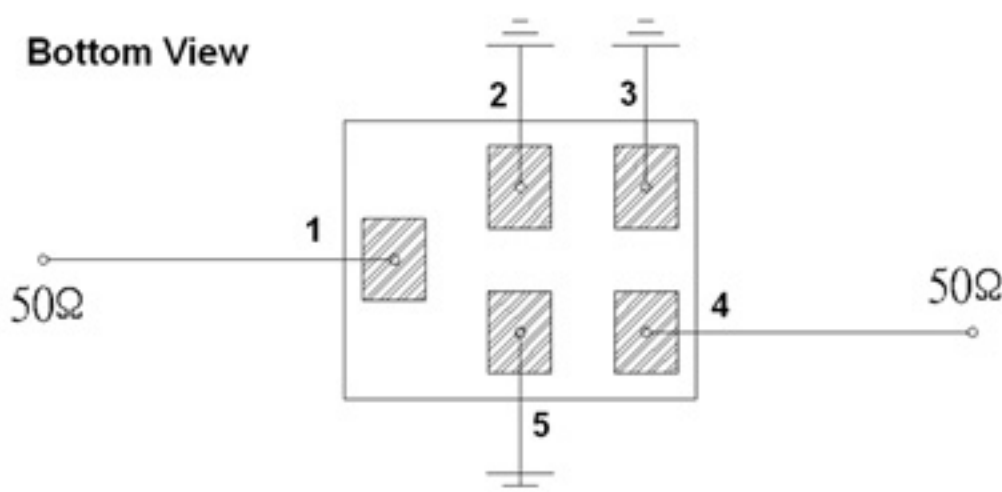
Electrostatic Sensitive Device (ESD)

B. ELECTRICAL CHARACTERISTICS:

Terminating source/load impedance (single) : $Z_s = 50 \Omega / Z_L = 50 \Omega$

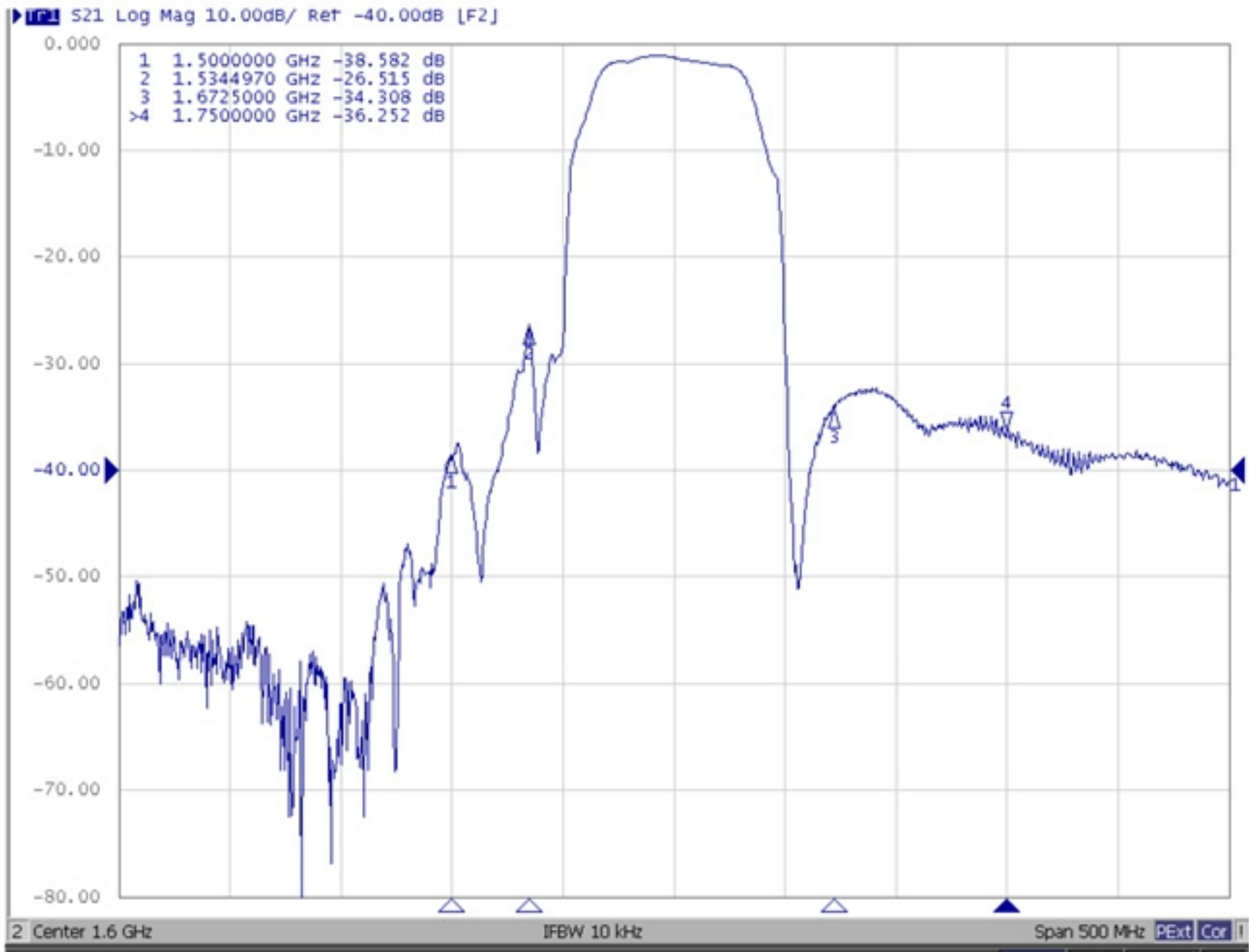
Item	Unit	Min	Type.	Max
Center Frequency	MHz	-	1600	-
Insertion Loss (1571.5 ~ 1628.5 MHz)	dB	-	2.2	2.5
VSWR (1571.5 ~ 1628.5 MHz)	-	-	2.2	2.5
Amplitude ripple (1571.5 ~ 1628.5 MHz)	dB	-	1.3	1.8
Attenuation				
10 ~ 1300 MHz	dB	40	46	-
1300 ~ 1500 MHz	dB	30	38	-
1500 ~ 1537.5 MHz	dB	23	26	-
1662.5 ~ 1672.5 MHz	dB	30	34	-
1672.5 ~ 1850 MHz	dB	30	32	-
1850 ~ 2000 MHz	dB	35	40	-
2000 ~ 2500 MHz	dB	30	40	-
Package size	mm	1411		

C. TEST CIRCUIT:

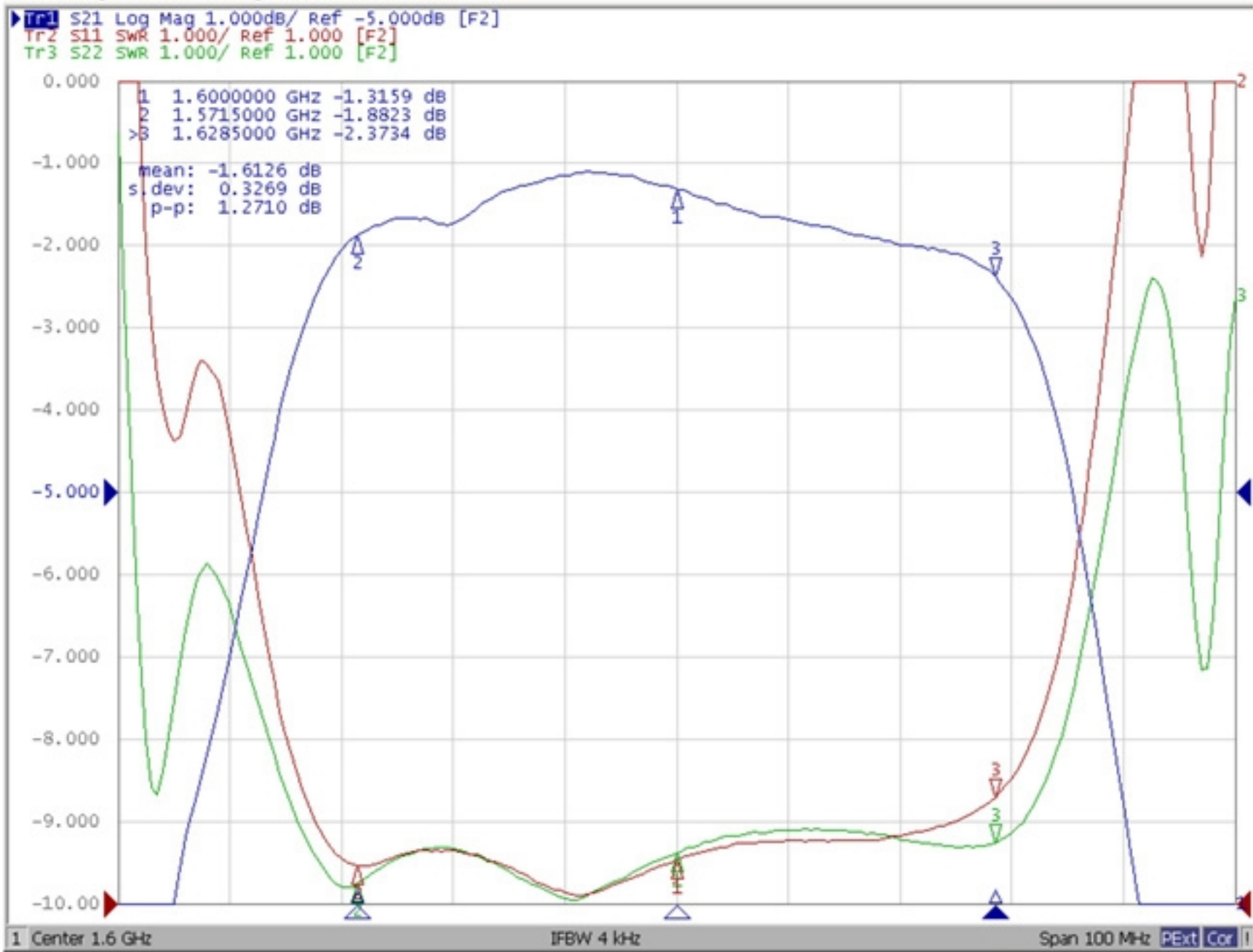


Pin No.	Symbol	Function
1	IN	Input
2	GND	Ground
3	GND	Ground
4	OUT	Output
5	GND	Ground

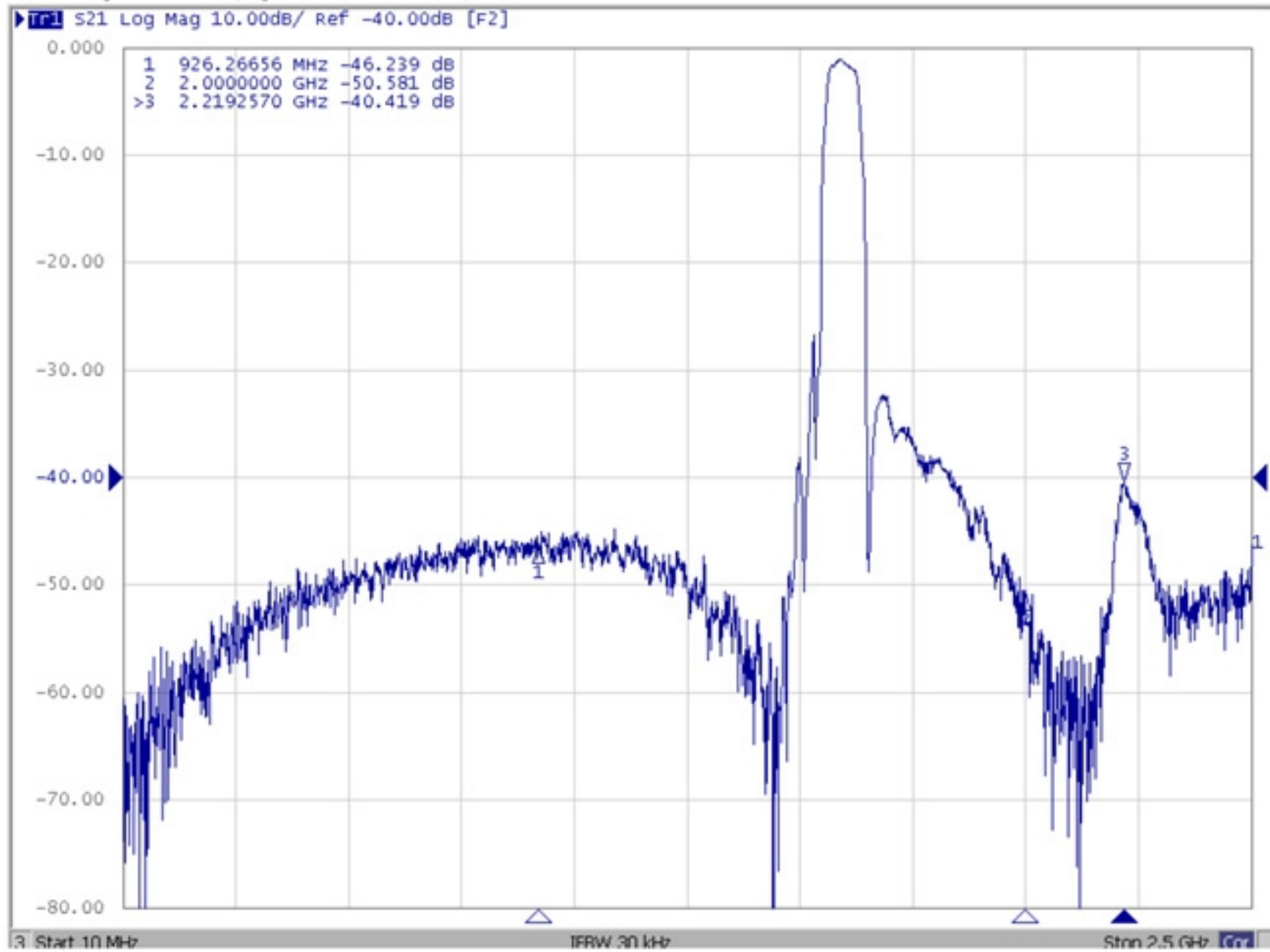
**D. Frequency Characteristics :
S21 response: (span 500MHz)**



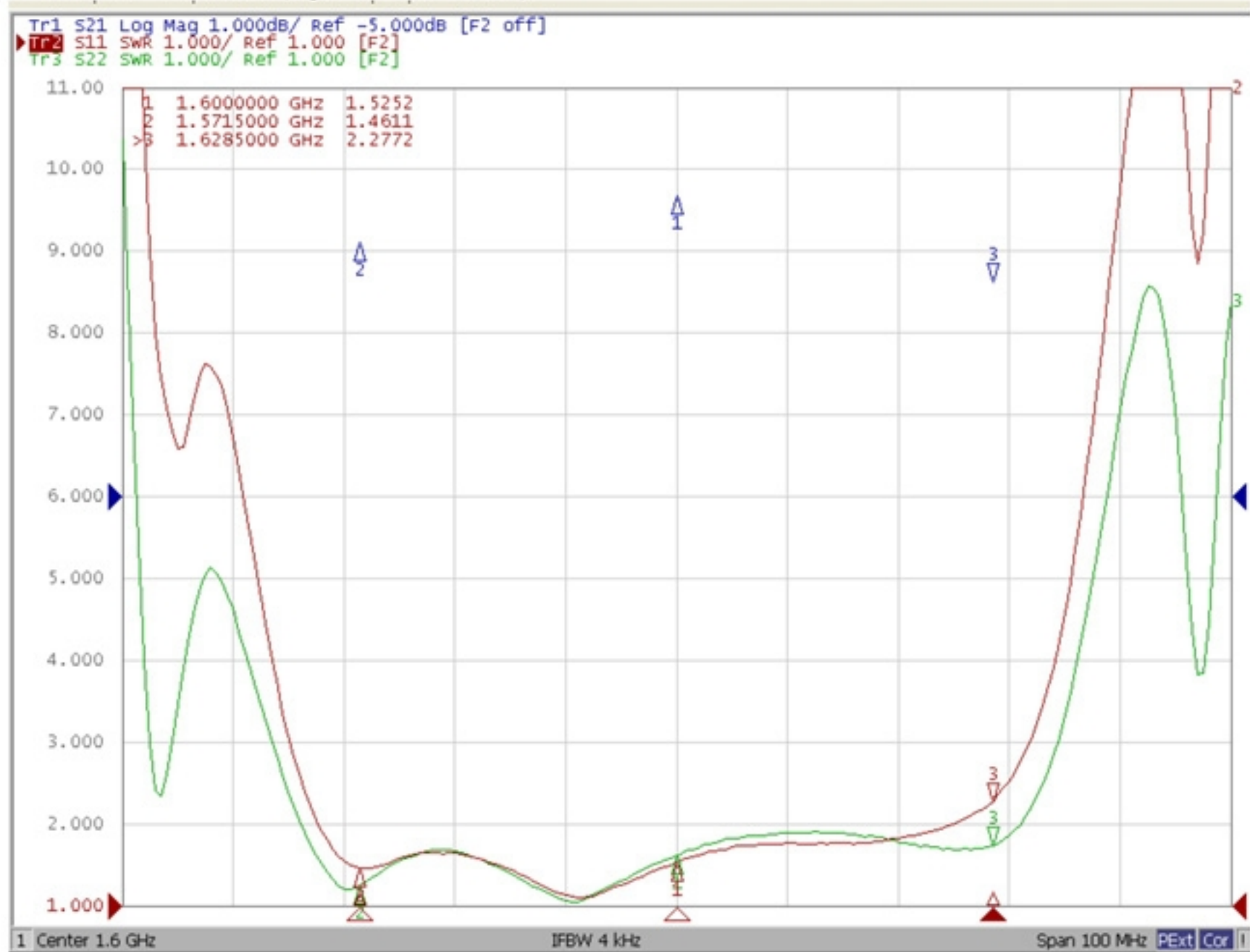
S21 response: (span 100MHz)



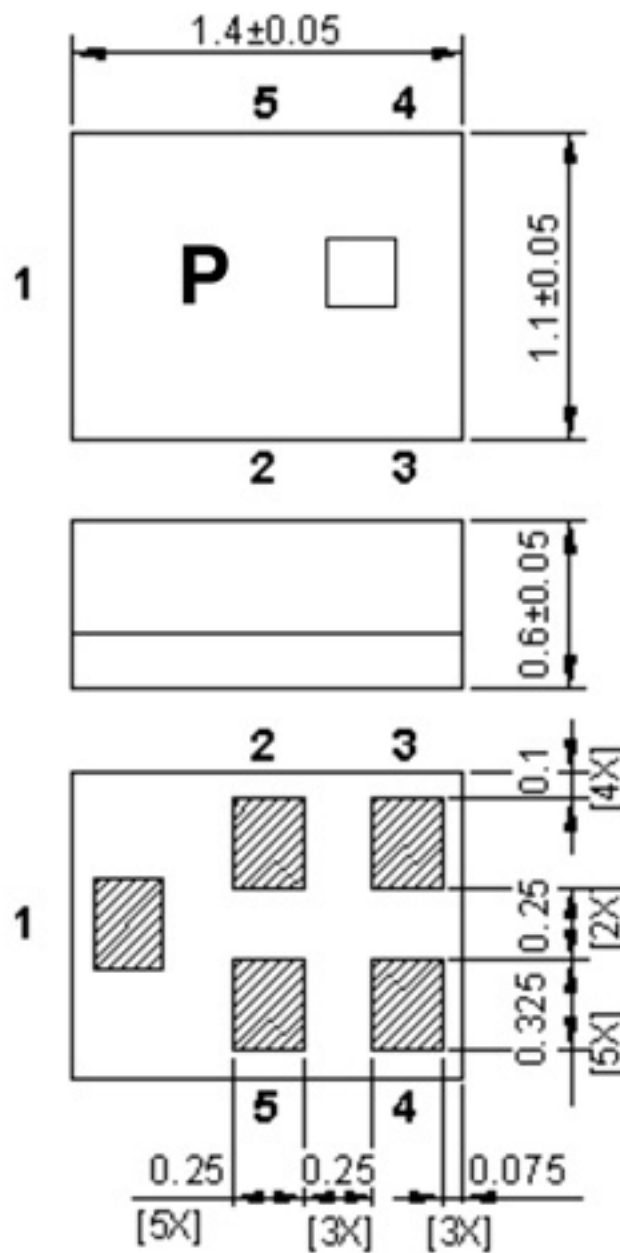
S21 response: (span 2.5 GHz)



Reflective VSWR: (span 100 MHz)



E. OUTLINE DRAWING:



All tolerances are ± 0.05 mm unless otherwise specified
 Coplanarity : 0.1 mm max.
 1 to 5 : Pin No.
 Unit : mm

Pin No.	Symbol	Function
1	IN	Input
2	GND	Ground
3	GND	Ground
4	OUT	Output
5	GND	Ground

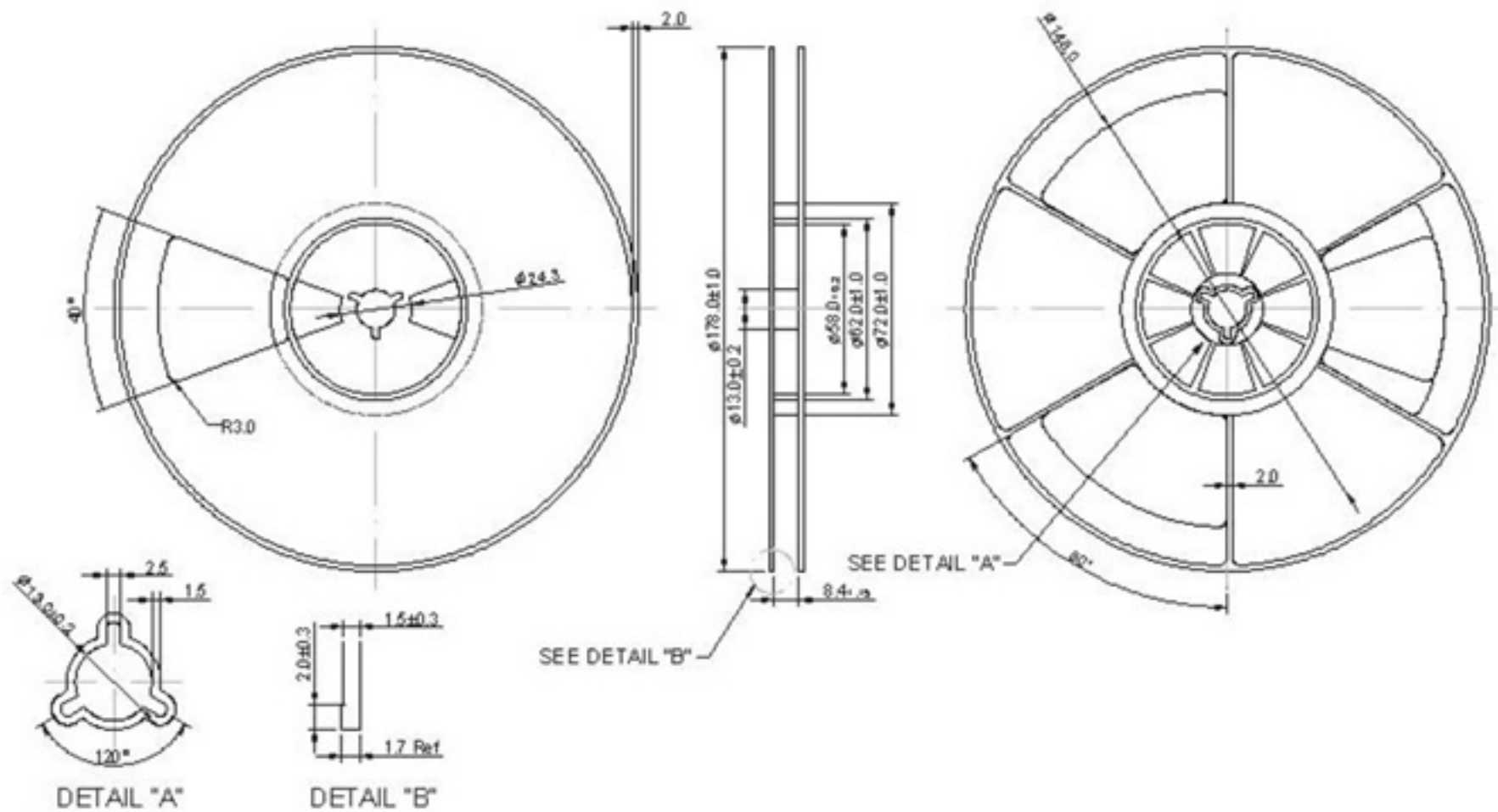
□ : Year/Month Code (Follow the table)

YEAR/Month	1	2	3	4	5	6	7	8	9	10	11	12
2013	A	B	C	D	E	F	G	H	J	K	L	M
2014	N	P	Q	R	S	T	U	V	W	X	Y	Z
2015	a	b	c	d	e	F	g	h	j	k	l	m
2016	n	p	q	r	s	T	u	v	w	x	y	z
2017	<u>A</u>	<u>B</u>	<u>C</u>	<u>D</u>	<u>E</u>	<u>F</u>	<u>G</u>	<u>H</u>	<u>J</u>	<u>K</u>	<u>L</u>	<u>M</u>
2018	<u>N</u>	<u>P</u>	<u>Q</u>	<u>R</u>	<u>S</u>	<u>T</u>	<u>U</u>	<u>V</u>	<u>W</u>	<u>X</u>	<u>Y</u>	<u>Z</u>
2019	<u>a</u>	<u>b</u>	<u>c</u>	<u>d</u>	<u>e</u>	<u>F</u>	<u>g</u>	<u>h</u>	<u>i</u>	<u>k</u>	<u>l</u>	<u>m</u>
2020	<u>n</u>	<u>p</u>	<u>q</u>	<u>r</u>	<u>s</u>	<u>T</u>	<u>u</u>	<u>v</u>	<u>w</u>	<u>x</u>	<u>y</u>	<u>z</u>

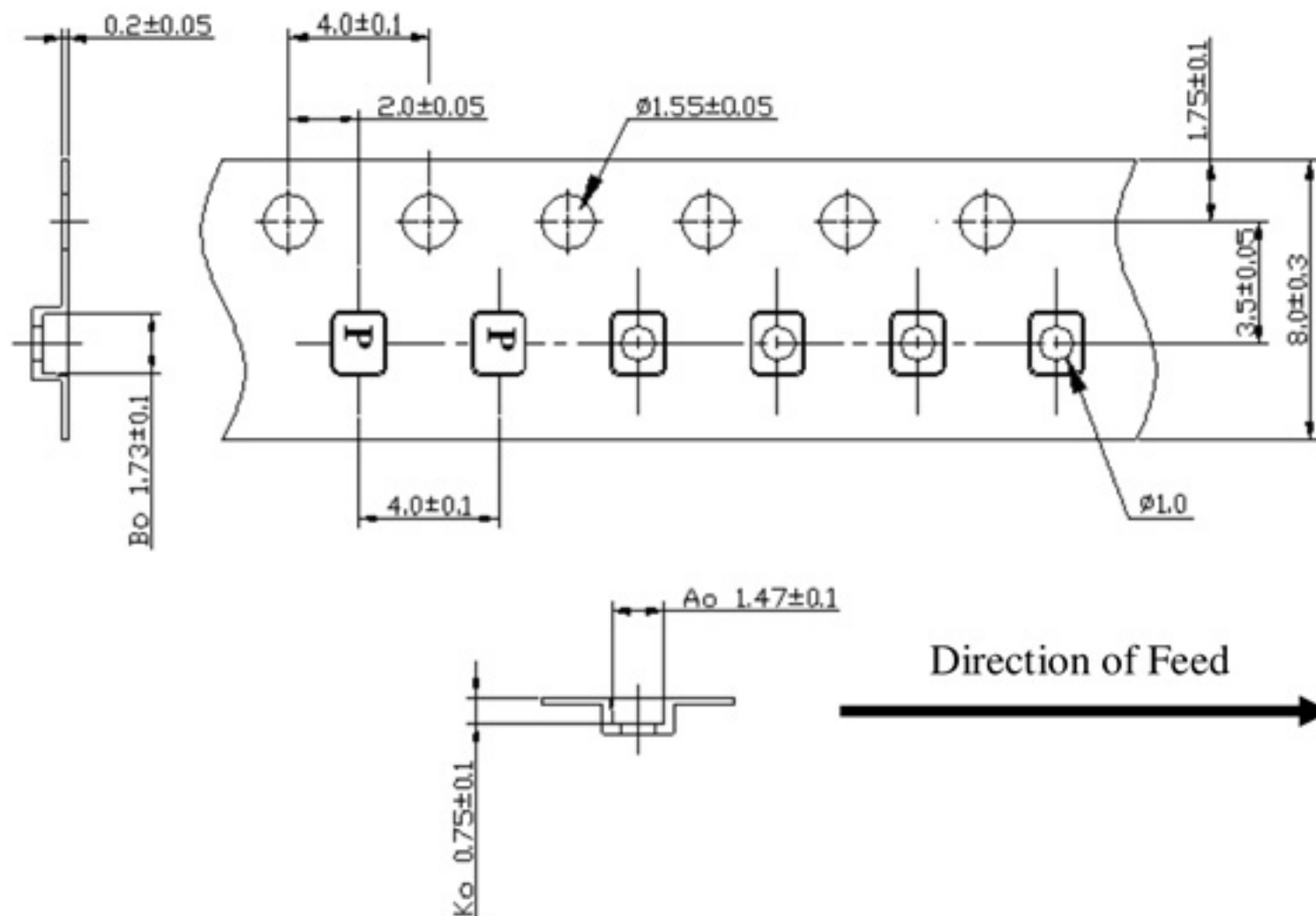
F. PACKING:

1. REEL DIMENSION

(Please refer to FR-75D10 for packing quantity)



2. TAPE DIMENSION



G. RECOMMENDED REFLOW PROFILE :

1. Preheating shall be fixed at 150~180°C for 60~90 seconds.
2. Ascending time to preheating temperature 150°C shall be 30 seconds min.
3. Heating shall be fixed at 220°C for 50~80 seconds and at 260°C +0/-5°C peak (20~40sec).
4. Time: 2 times.

