



TAI-SAW TECHNOLOGY CO., LTD.

No. 3, Industrial 2nd Rd., Ping-Chen Industrial District,
Taoyuan, 324, Taiwan, R.O.C.

TEL: 886-3-4690038 FAX: 886-3-4697532

E-mail: tstsales@mail.taisaw.com Web: www.taisaw.com

Product Specifications Approval Sheet

Product Description: BAW TRX Filter 2350 MHz Band40 SMD 1109(BW=100MHz)

TST Part No.: TA2404B (This part is compliant with AEC-Q200)

Customer Part No.: _____

Customer signature required
Company: _____
Division: _____
Approved by : _____
Date: _____

Checked by: _____ Anne Chen *Anne Chen*

Approved by: _____ Andy Yu *Andy Yu*

Date: _____ 2020/02/14

1. Customer signed back is required before TST can proceed with sample build and receive orders.
2. Orders received without customer signed back will be regarded as agreement on the specifications.
3. Any specifications changes must be approved upon by both parties and a new revision of specifications shall be released to reflect the changes.



TAI-SAW TECHNOLOGY CO., LTD.

No. 3, Industrial 2nd Rd., Ping-Chen Industrial District,
Taoyuan, 324, Taiwan, R.O.C.

TEL: 886-3-4690038 FAX: 886-3-4697532

E-mail: tstsales@mail.taisaw.com Web: www.taisaw.com

BAW TRX Filter 2350MHz Band40 SMD1.1x0.9mm (100MHz BW)

MODEL NO.:TA2404B

REV. NO.:3.0

A. MAXIMUM RATING:

1. Input Power Level:

@ Input Power(2300~2400MHz): 29dBm,CW , +50 °C, 5000H

@ Input Power(2300~2390MHz): 29dBm,LTE QPSK 5MHz full RB(50% duty cycle),
+50 °C, 5000H

2. DC Voltage : 0V

3. Operating Temperature: -40 °C to +85 °C

4. Storage Temperature: -55 °C to +125 °C

5. Moisture Sensitivity Level: Level 3

6. ESD 50V(MM) 100V(HBM)



Electrostatic Sensitive Device (ESD)

B. ELECTRICAL CHARACTERISTICS:

Terminating source impedance : $Z_s = 50 \parallel 5.1nH \ \Omega$ (Single-ended)

Terminating load impedance : $Z_L = 50 \parallel 5.1nH \ \Omega$ (Single-ended)

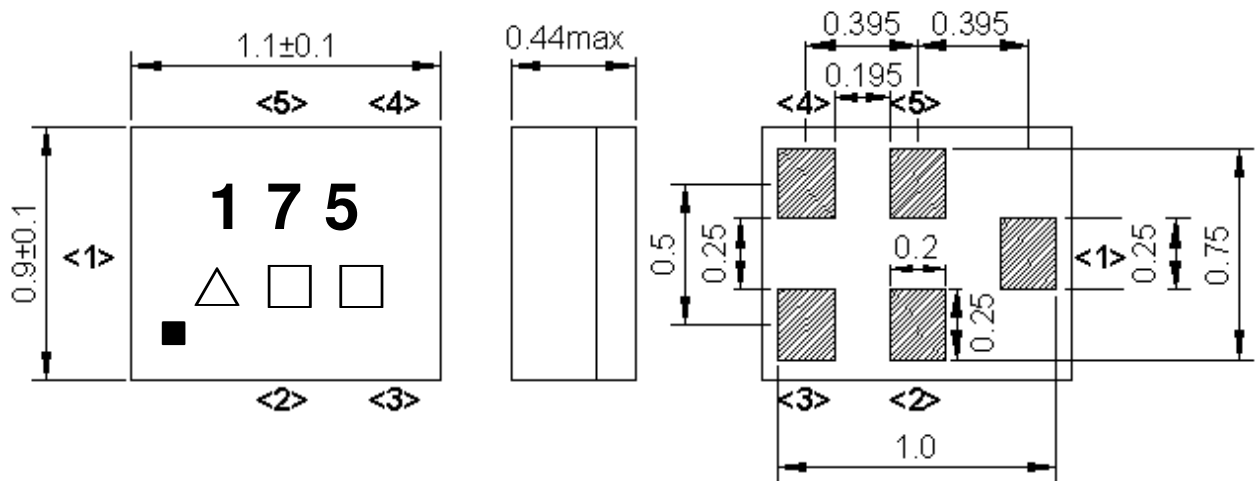
Item	Unit	Min.	Typ.	Max.	Note
Center Frequency	Fc	MHz	-	2350	-
Insertion Loss (2300~2400MHz)	IL	dB	-	1.4	2.0(*1) Ta=+25 °C
Insertion Loss (2300~2400MHz)	IL	dB	-	1.4	2.3(*1)
Input VSWR (2300~2400MHz)			-	1.6	2.2
Output VSWR (2300~2400MHz)				1.6	2.2
Attenuation (reference level from 0 dB)					

10 ~ 1565 MHz	dB	22	25	-	-
1565 ~ 1606 MHz	dB	22	25	-	-
2426 ~ 2463 MHz	dB	27	49	-	Ta=-20to+25°C-
	dB	45	49	-	Ta=-25to+85°C
4600 ~ 4800 MHz	dB	30	42	-	-
2423 ~ 2441 MHz	dB	30	56	-	Ta=-20to+25°C WiFi CH5(*2)
	dB	45	56	-	Ta=-25to+85°C WiFi CH5(*2)
2428 ~ 2446 MHz	dB	45	59	-	Ta=-25to+85°C WiFi CH6(*2)
2433 ~ 2451 MHz	dB	49	60	-	WiFi CH7(*2)
2438 ~ 2456 MHz	dB	45	60	-	WiFi CH8(*2)
2443 ~ 2461 MHz	dB	45	60	-	WiFi CH9(*2)
2448 ~ 2466 MHz	dB	45	59	-	WiFi CH10(*2)
2453 ~ 2471 MHz	dB	43	55	-	WiFi CH11(*2)
2458 ~ 2476 MHz	dB	40	50	-	WiFi CH12(*2)
2463 ~ 2481 MHz	dB	38	46	-	WiFi CH13(*2)

(*1) Specification of insertion loss excludes loss that comes from the test board.

(*2) Integrated attenuation over 18MHz CH BW.

C.OUTLINE



Not Specified Tolerance : +/-0.1 mm

Marking Descriptions

Marking name : 175

△ : Date Code

□ : Lot No. (Indicated by 0~9 or A to Z and a to z, except I, O, i, o and l)

DateCode: Follow below table. (4-year cycle)

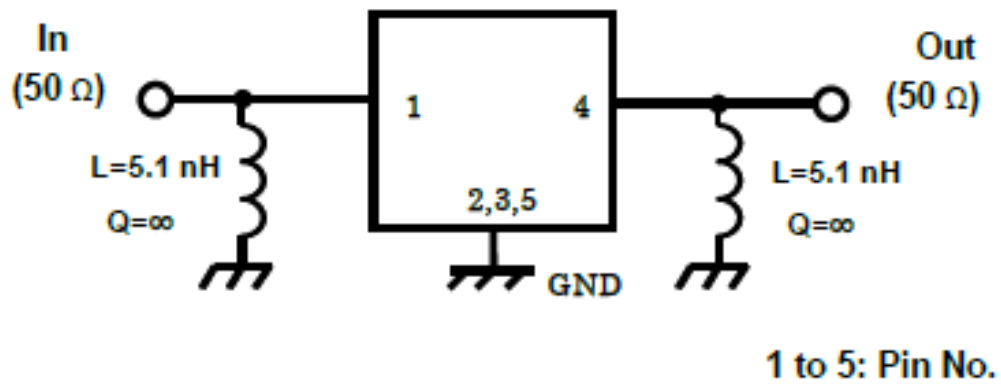
Year	Jan	Feb	Mar	Apr	May	Jun	Jul	Aug	Sep	Oct	Nov	Dec
2017 / 2021	A	B	C	D	E	F	G	H	J	K	L	M
2018 / 2022	N	P	Q	R	S	T	U	V	W	X	Y	Z
2019 / 2023	a	b	c	d	e	f	g	h	j	k	l	m
2020 / 2024	n	p	q	r	s	t	u	v	w	x	y	z

Pin assignment

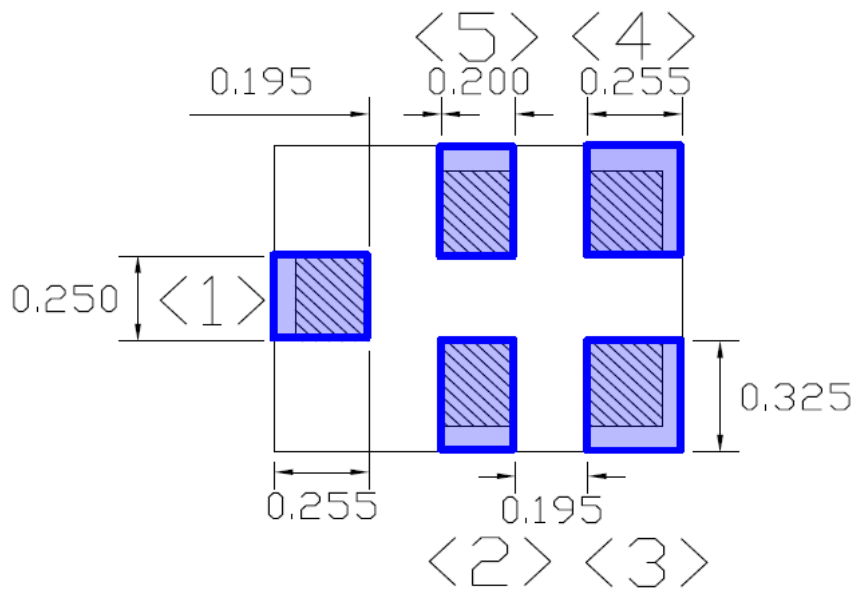
Pin No.	Pin name	Description
1	In	Input
2	GND	Ground
3	GND	Ground
4	Out	Output
5	GND	Ground

Figure 1. Dimensions and Pin assignment

D.MEASUREMENT CIRCUIT:

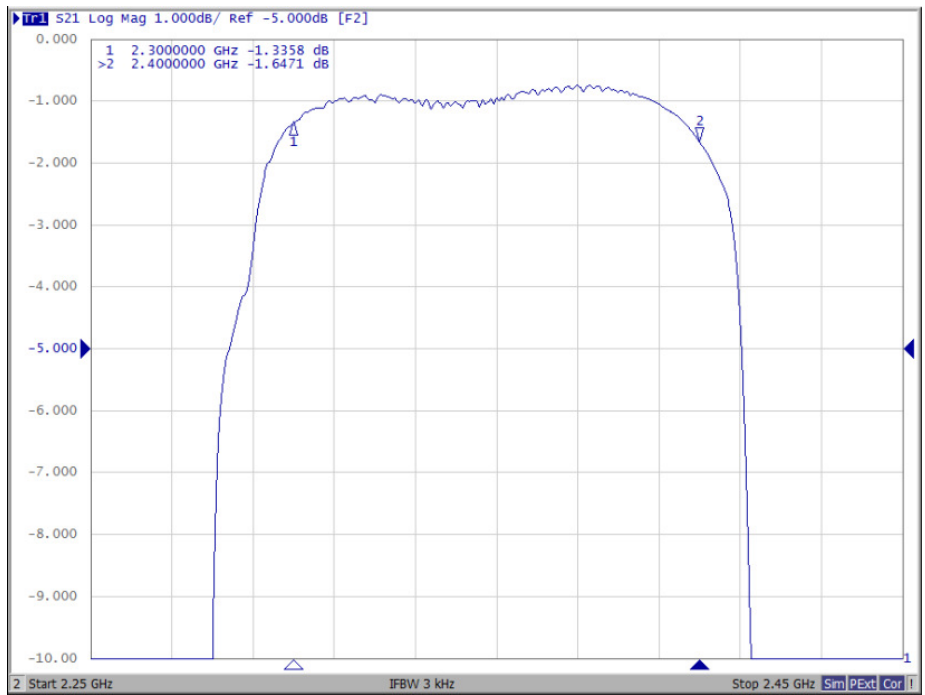
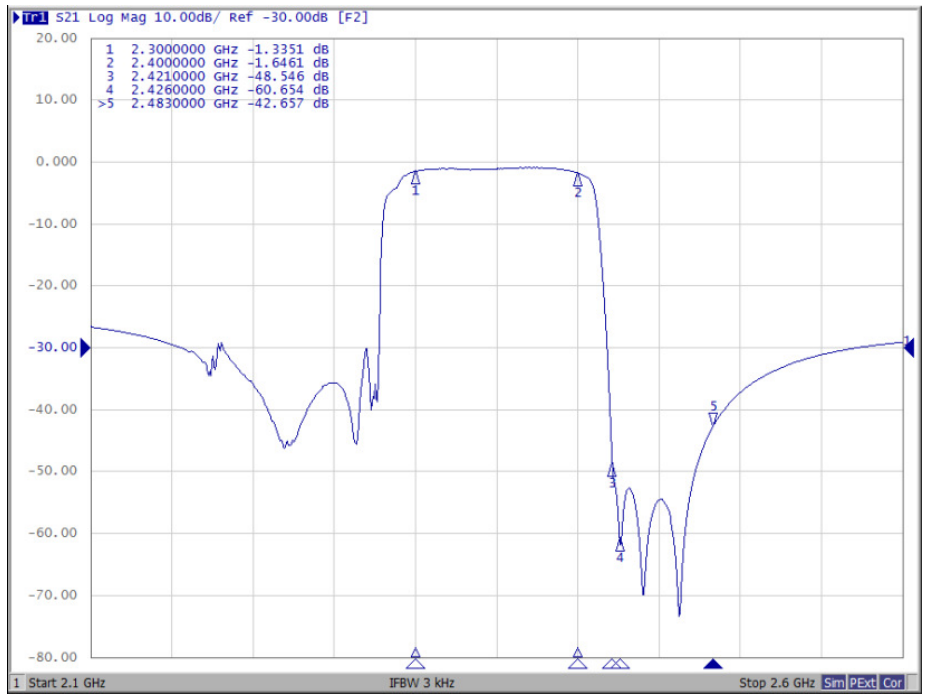


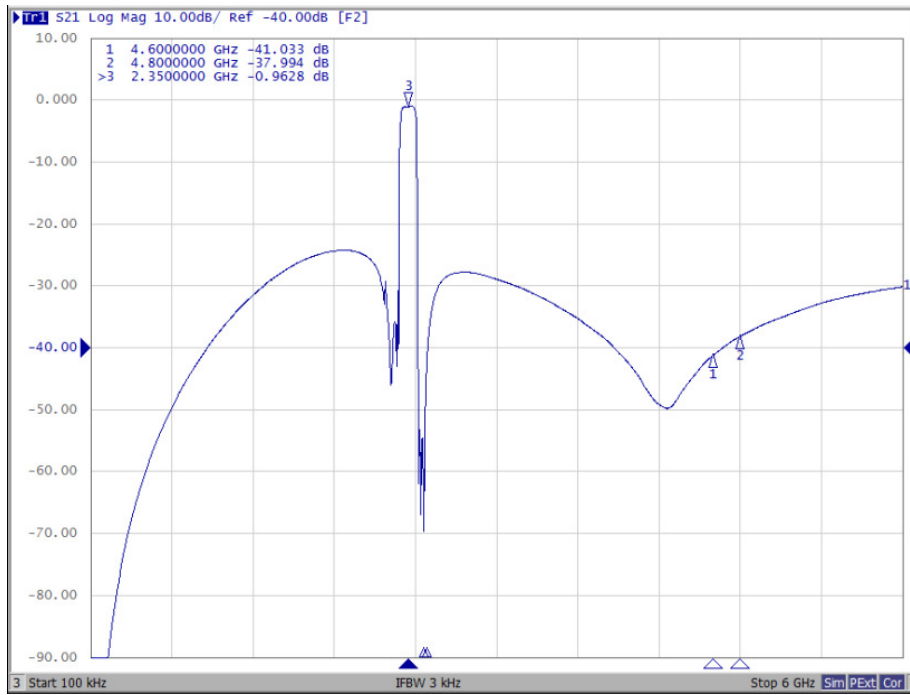
E.PCB Footprint :



F.Frequency Characteristics

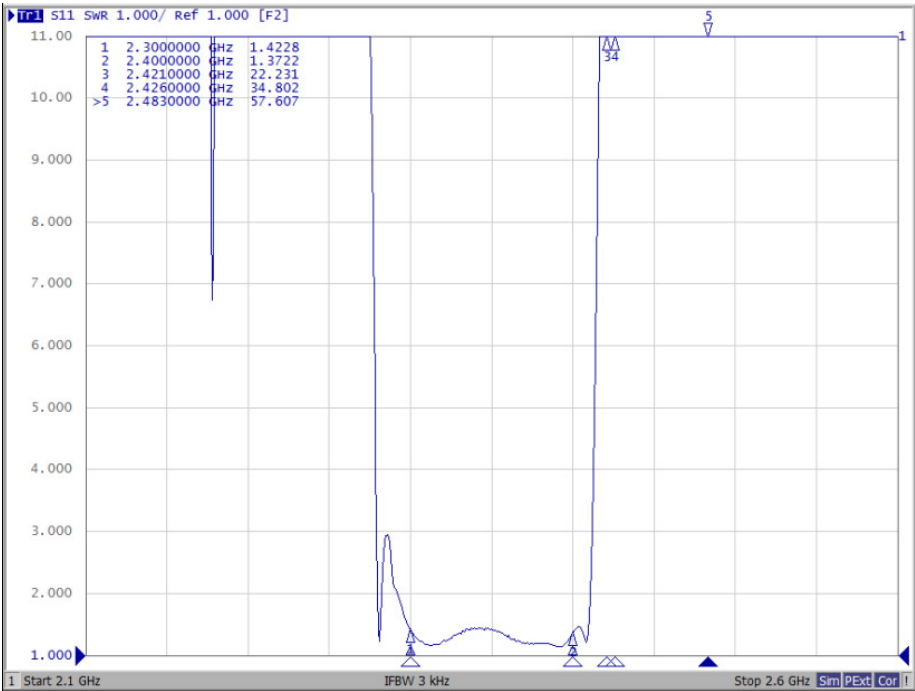
Passband



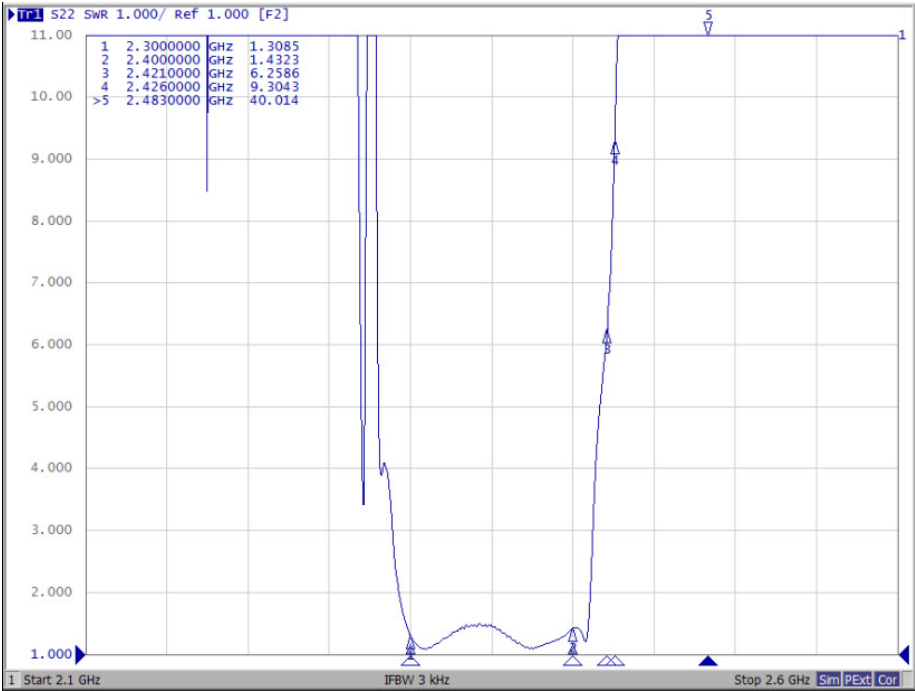


Reflection functions :

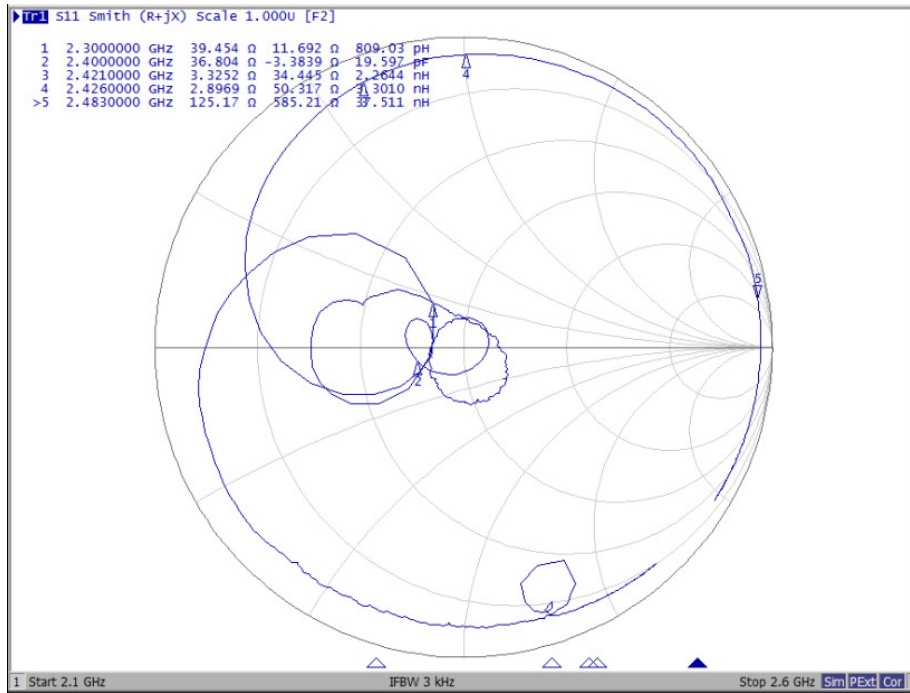
S11 VSWR



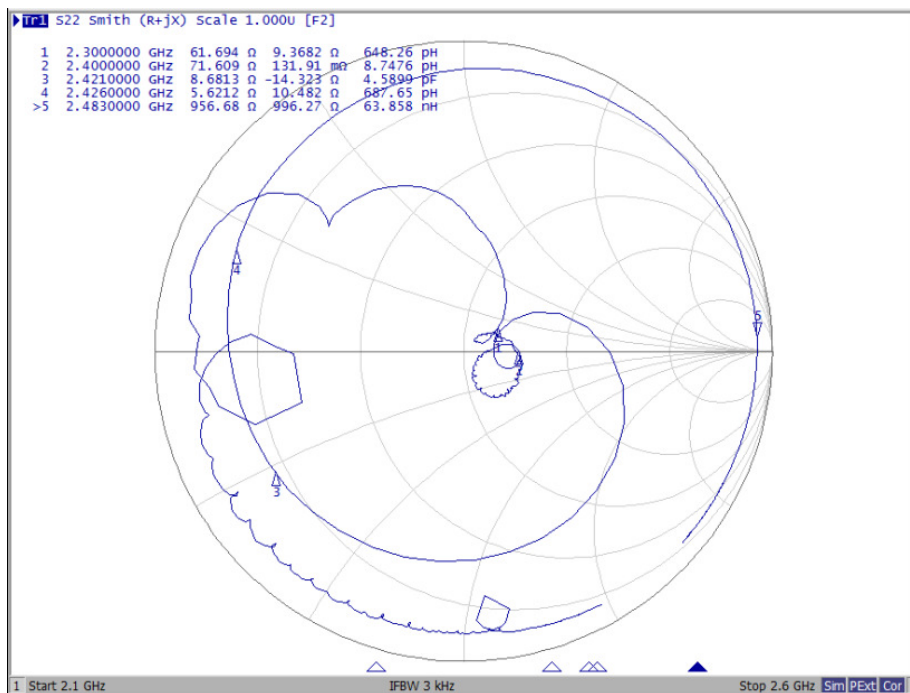
S22 VSWR



S11 Smith Chart



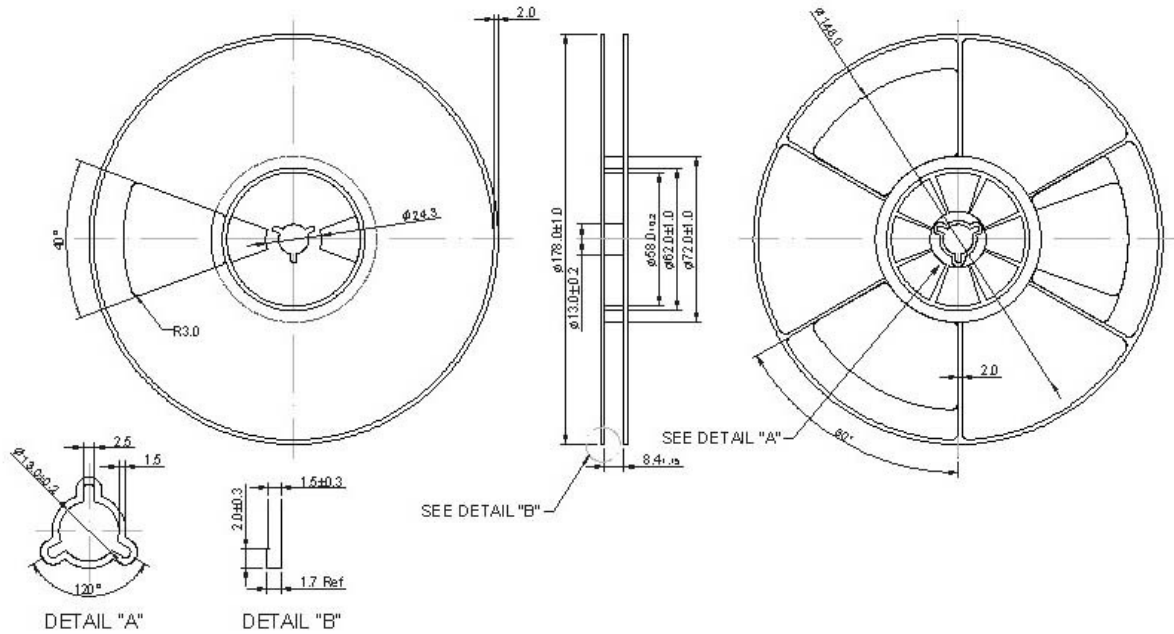
S22 Smith Chart



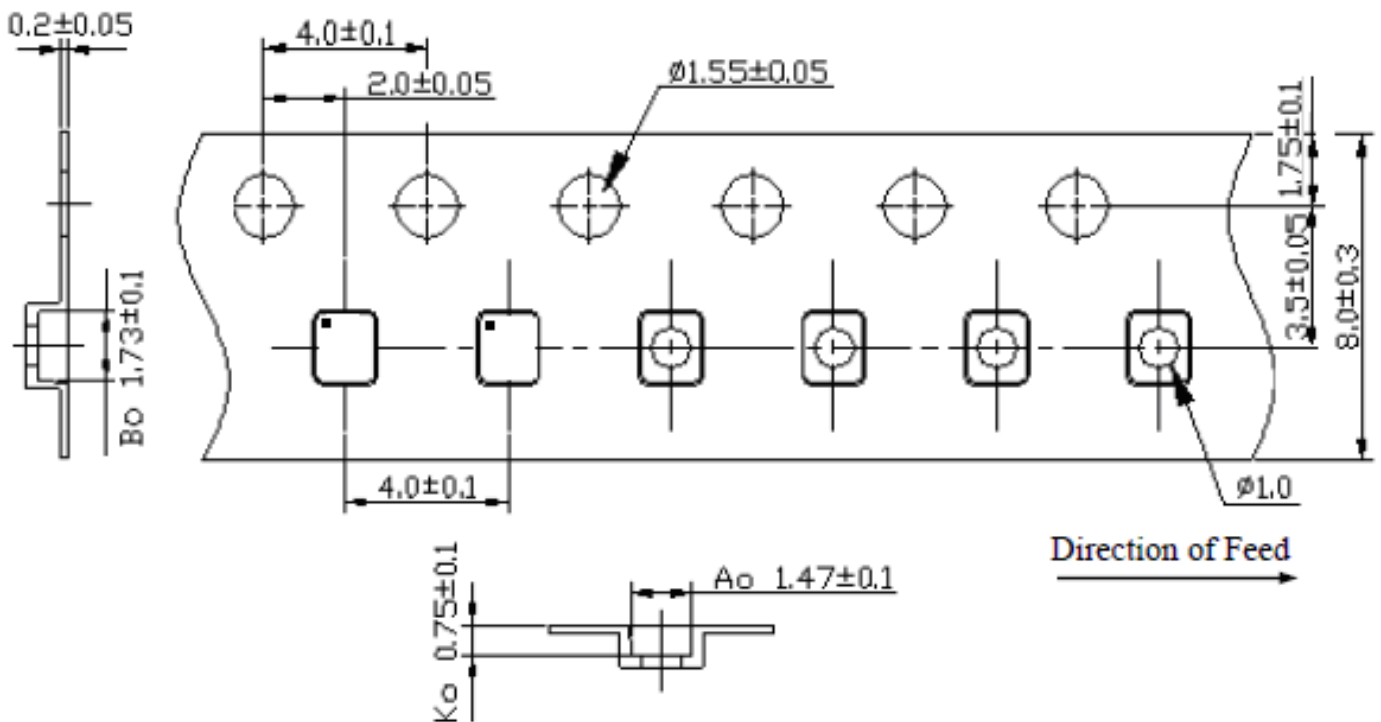
G. PACKING:

1. REEL DIMENSION

(Please refer to FR-75D10 for packing quantity)



2. TAPE DIMENSION



H. RECOMMENDED REFLOW PROFILE :

1. Preheating shall be fixed at 150~180°C for 60~90 seconds.
2. Ascending time to preheating temperature 150°C shall be 30 seconds min.
3. Heating shall be fixed at 220°C for 50~80 seconds and at 245~260°C peak (min. 10sec).
4. Time : 3 times.

