

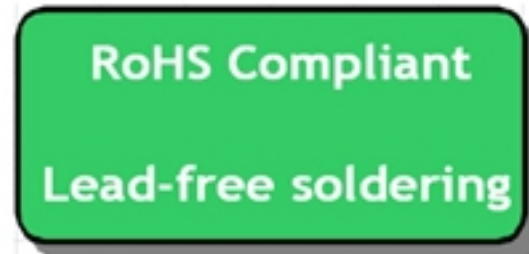
SAW Filter 1642.5 MHz

MODEL NO.: TA0788A

REV. NO.:2.0

A. MAXIMUM RATING:

1. Input Power Level: 5 dB_m
2. DC voltage: 5 V
3. Operating Temperature: -40°C to +90°C
4. Storage Temperature: -51°C to +95°C
5. Moisture Sensitivity Level: Level 1(MSL1)



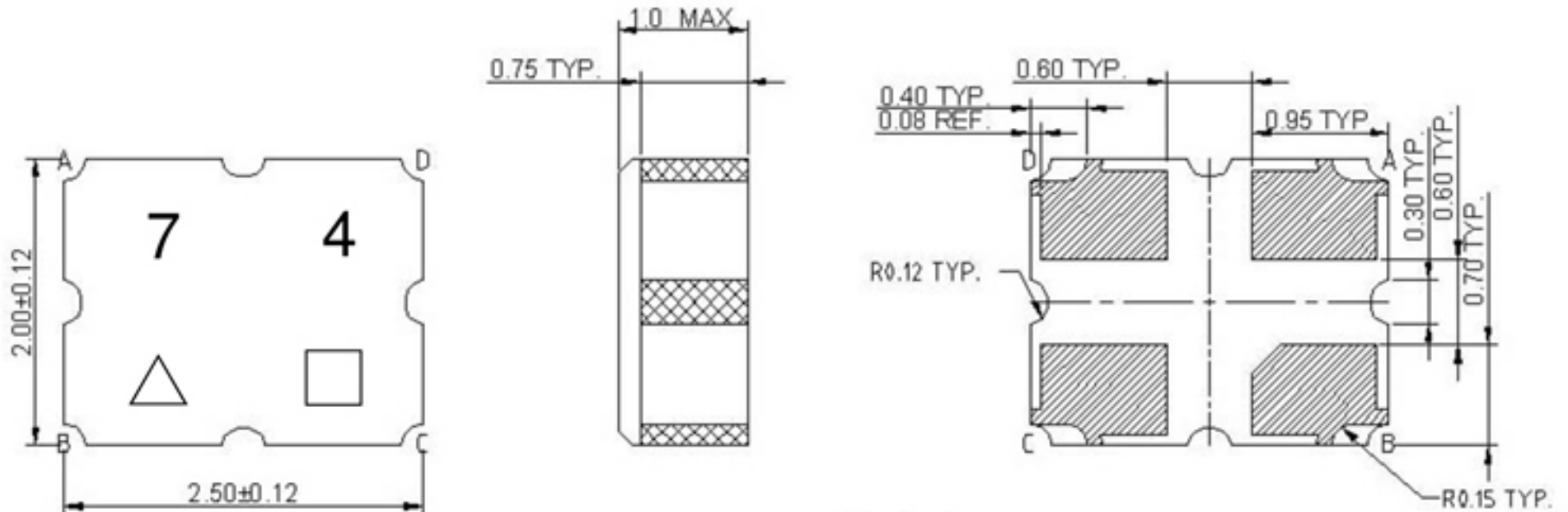
Electrostatic Sensitive Device

B. ELECTRICAL CHARACTERISTICS:

Item		Min.	Typ.	Max.
Center frequency	F_c (dB)	-	1642.5	-
Insertion loss within 1625 ~1660 MHz	IL (dB)	-	2.1	3.5
Amplitude ripple (p-p) within 1625 ~ 1660 MHz	(dB)	-	0.9	2.0
Attenuation (Reference level from 0 dB)				
DC ~ 1500 MHz	(dB)	21	28	-
1525 ~ 1559 MHz	(dB)	30	34	-
1700 ~ 2050 MHz	(dB)	30	33	-
2050 ~ 3500 MHz	(dB)	25	33	-
VSWR within 1625 ~1660 MHz		-	1.5	2.3
Source impedance	Z_s (Ω)	-	50	-
Load impedance	Z_L (Ω)	-	50	-

Note1. No matching network required for operation at 50 Ω

C. OUTLINE DRAWING:

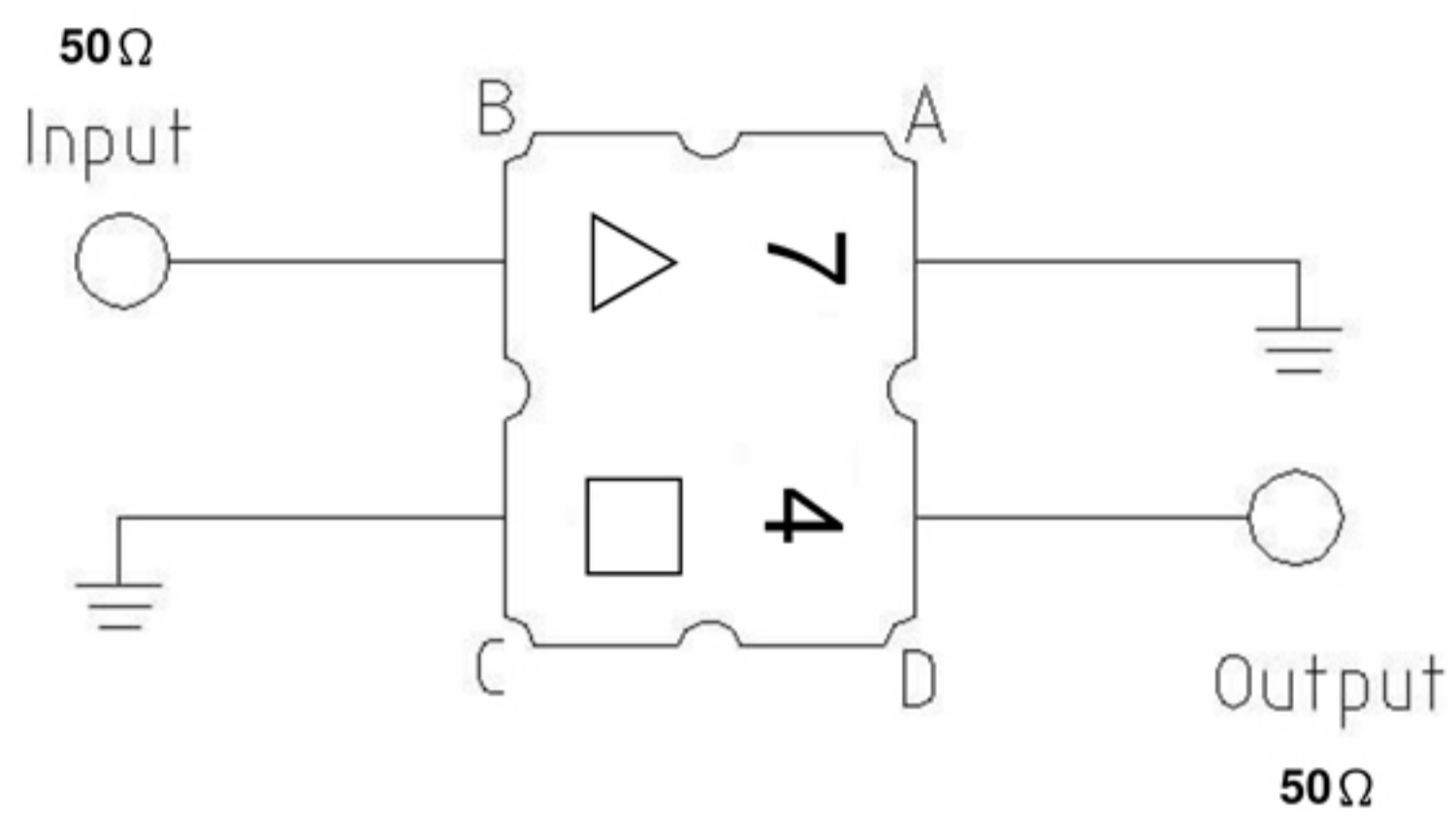


- #B : Input
- #D : Output
- #A、C : Ground
- △ : Year code(2019→9・2020→0…2028→8)
- : Date code
- Unit : mm

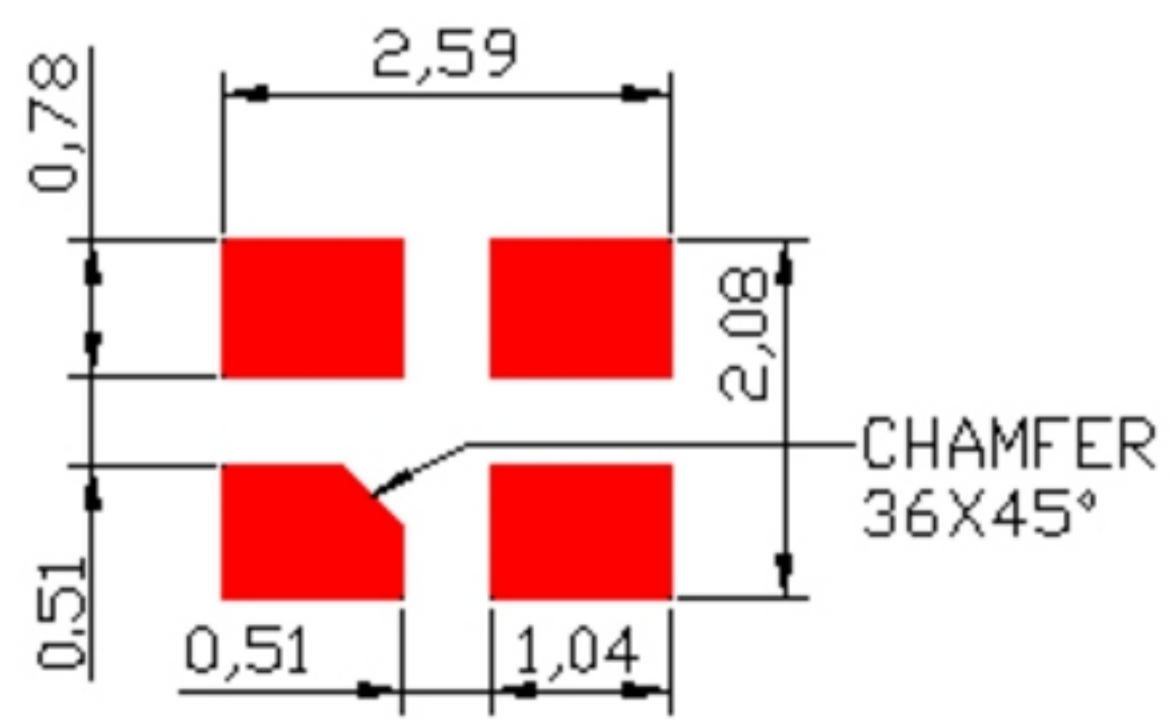
Week Code Table

WK01	WK02	WK03	WK04	WK05	WK06	WK07	WK08	WK09	WK10	WK11	WK12	WK13
A	B	C	D	E	F	G	H	I	J	K	L	M
WK14	WK15	WK16	WK17	WK18	WK19	WK20	WK21	WK22	WK23	WK24	WK25	WK26
N	O	P	Q	R	S	T	U	V	W	X	Y	Z
WK27	WK28	WK29	WK30	WK31	WK32	WK33	WK34	WK35	WK36	WK37	WK38	WK39
a	b	c	d	e	f	g	h	i	j	k	l	m
WK40	WK41	WK42	WK43	WK44	WK45	WK46	WK47	WK48	WK49	WK50	WK51	WK52
n	o	p	q	r	s	t	u	v	w	x	y	z

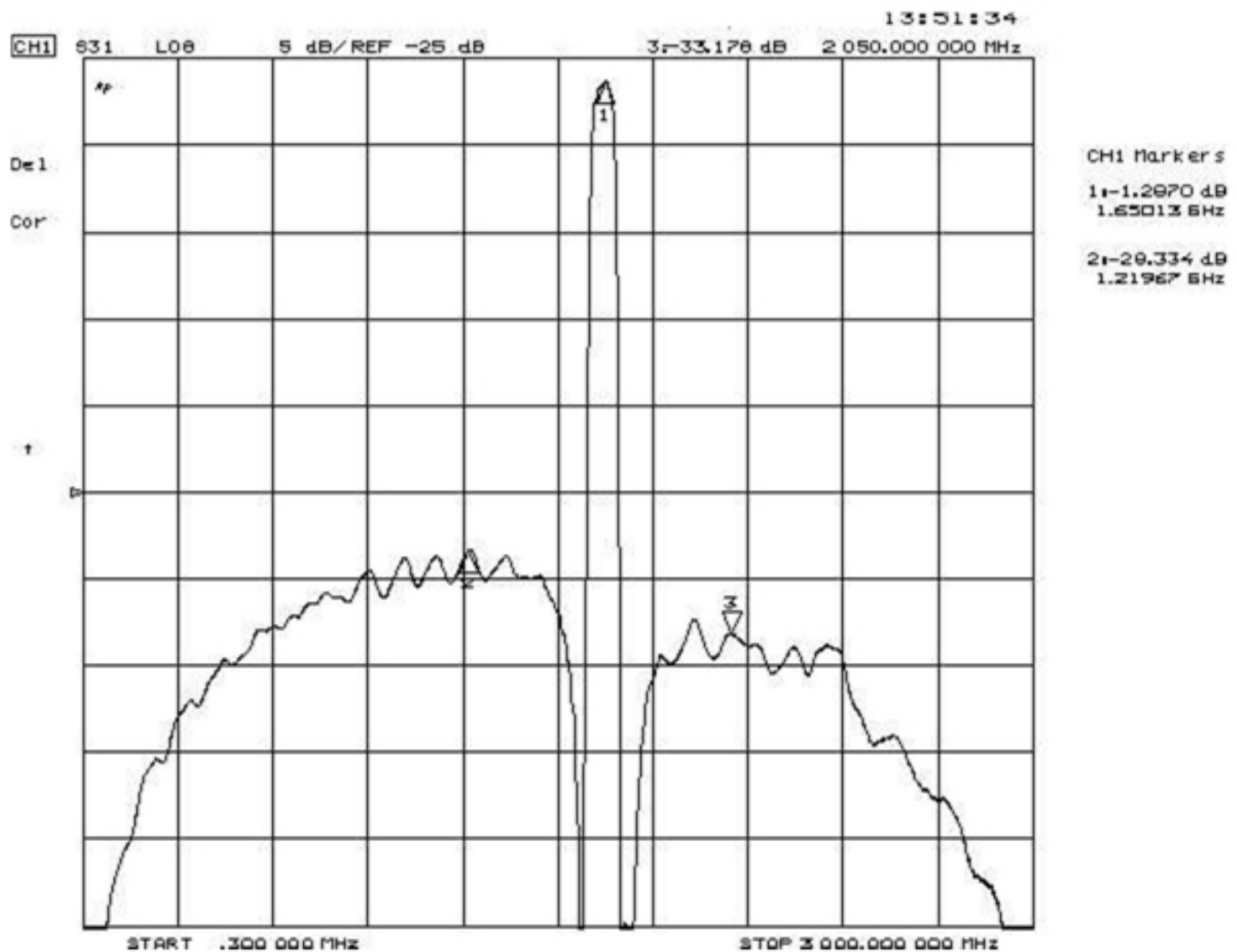
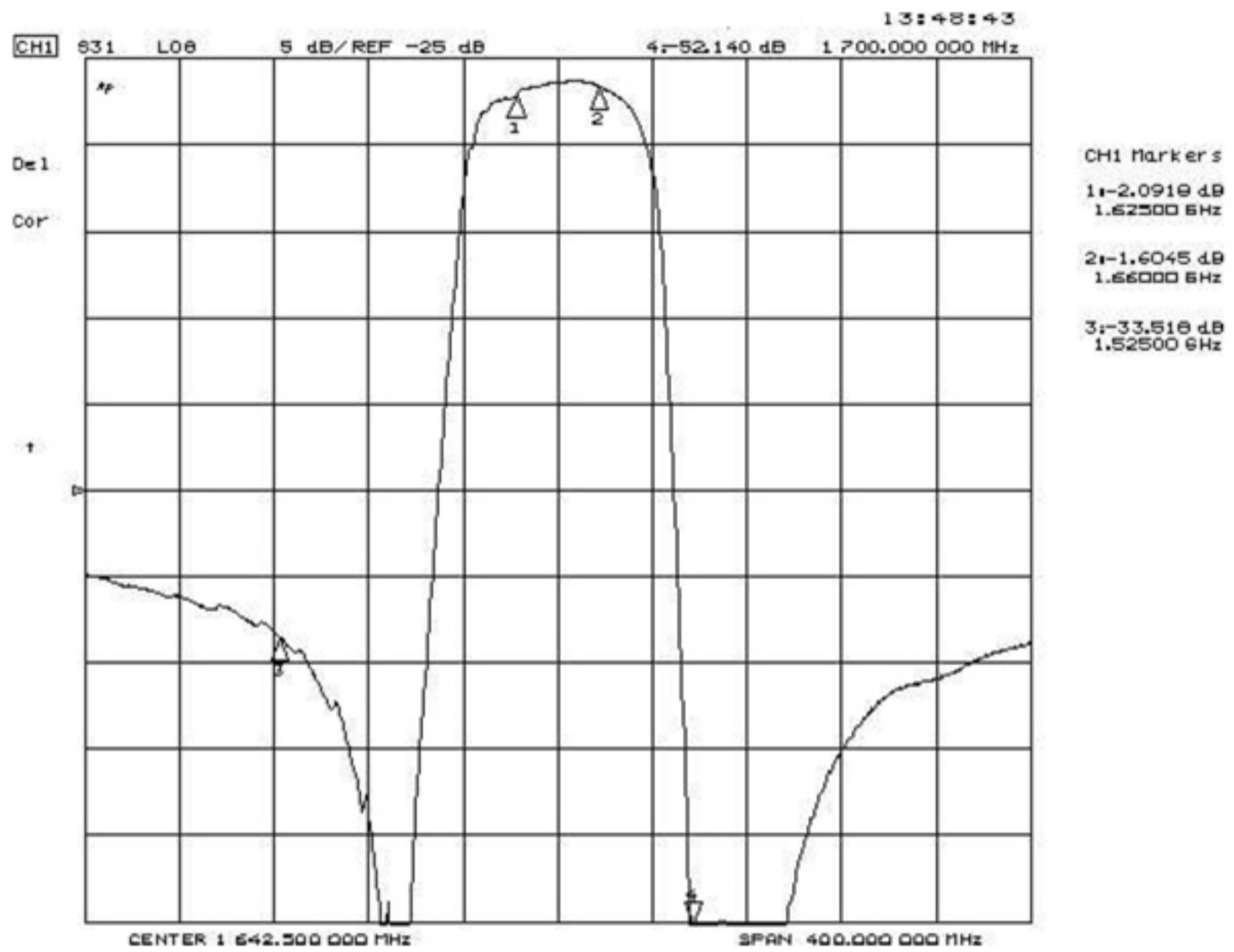
D. MEASUREMENT CIRCUIT:



E. PCB Footprint:

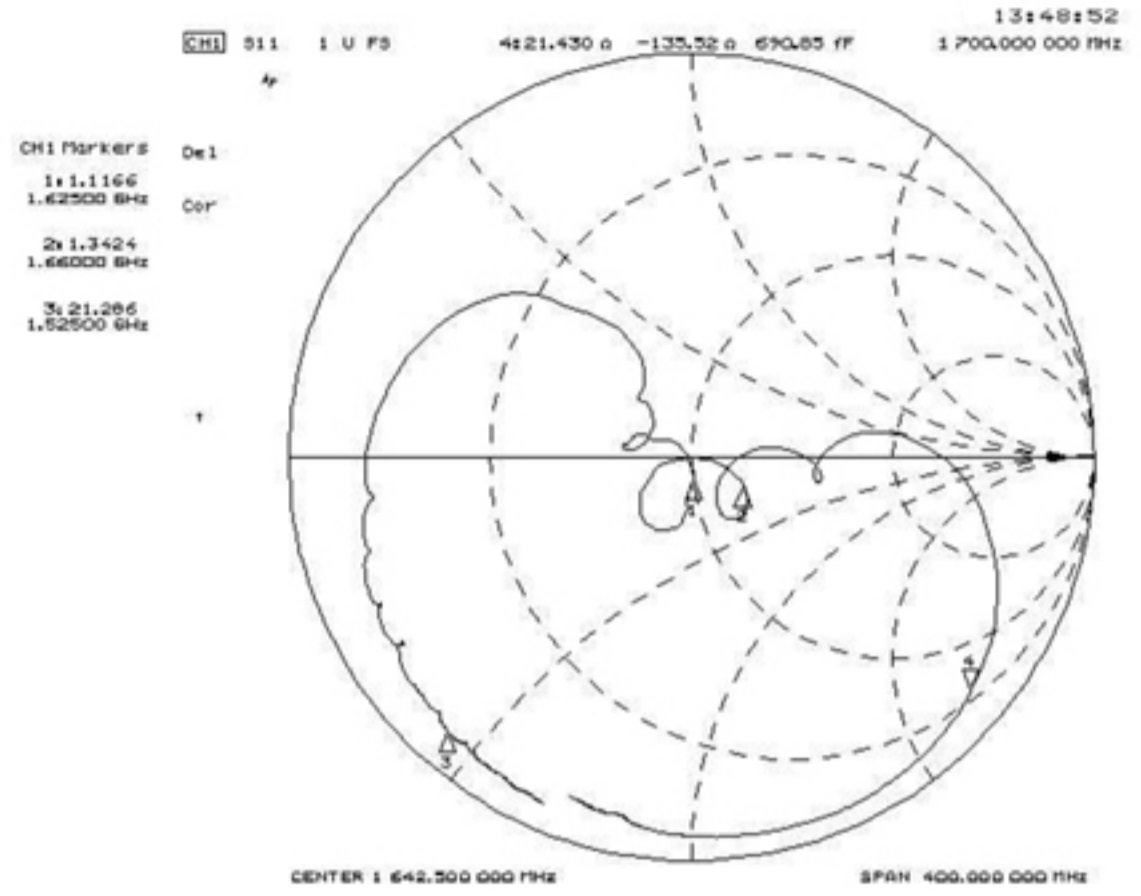
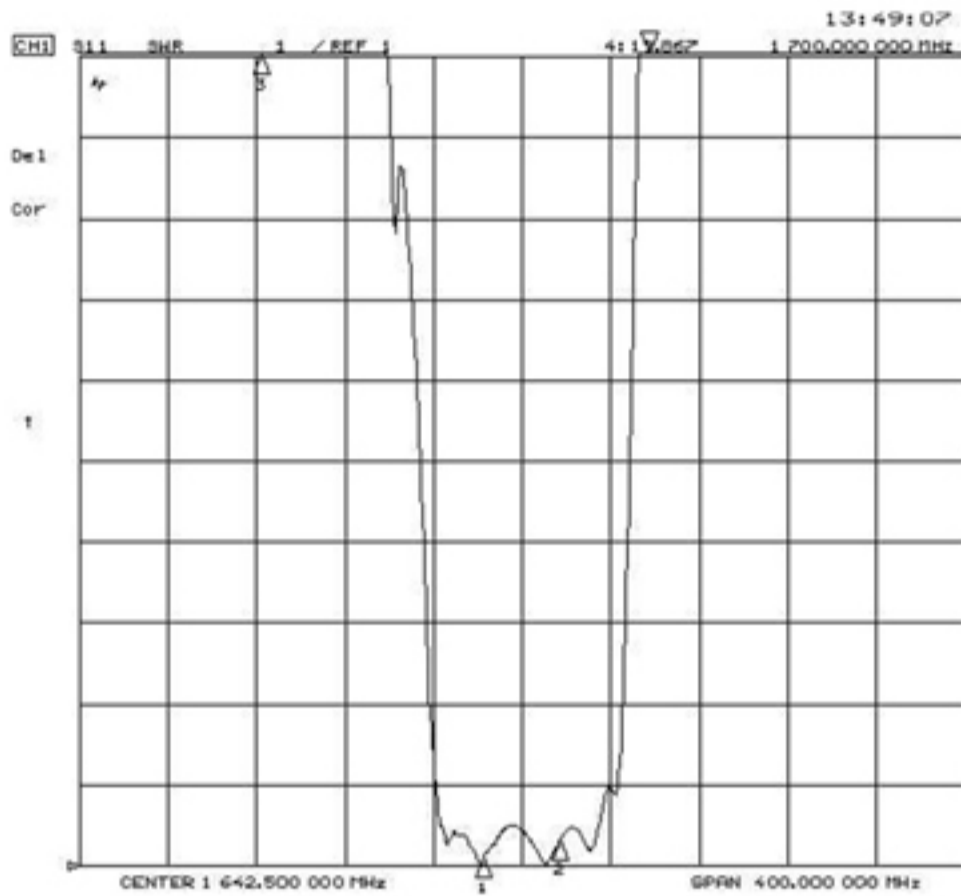


F. Frequency Characteristics : Transfer function



Reflections Functions :

S11 VSWR



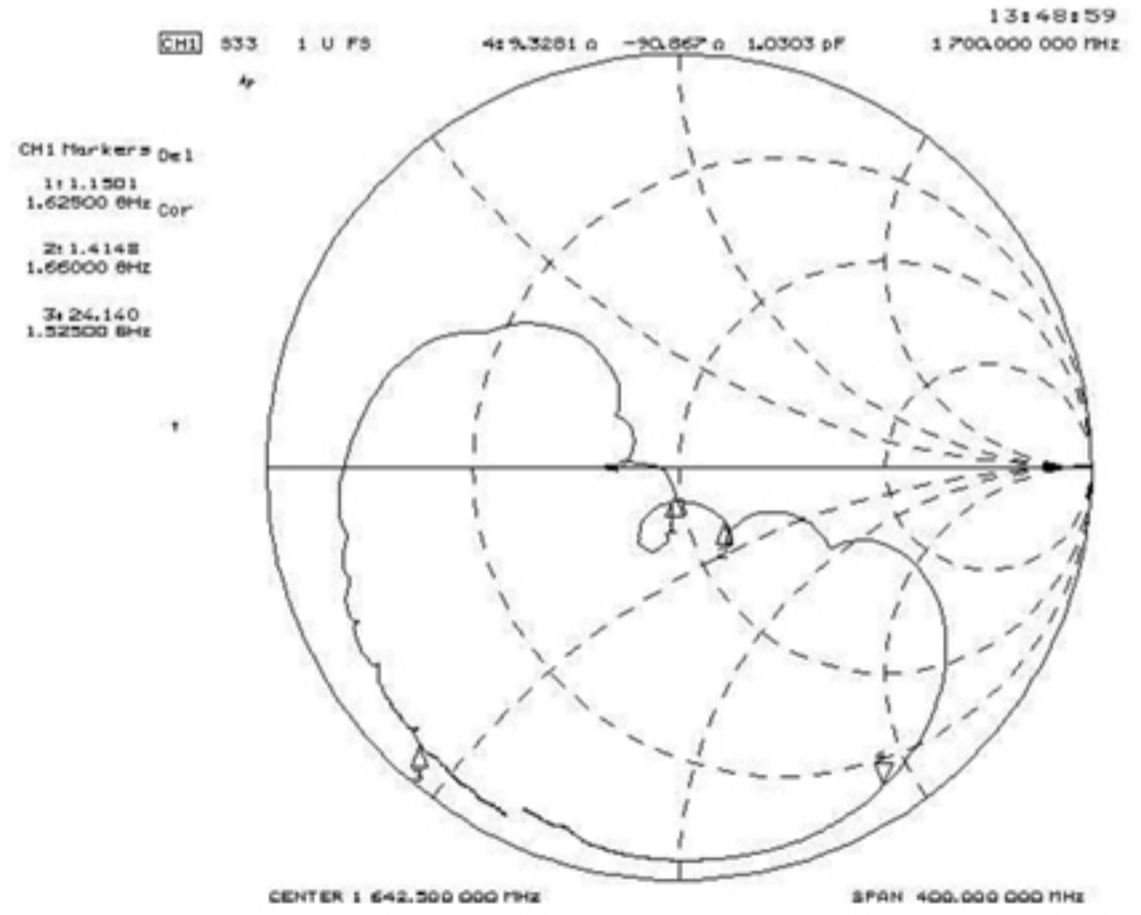
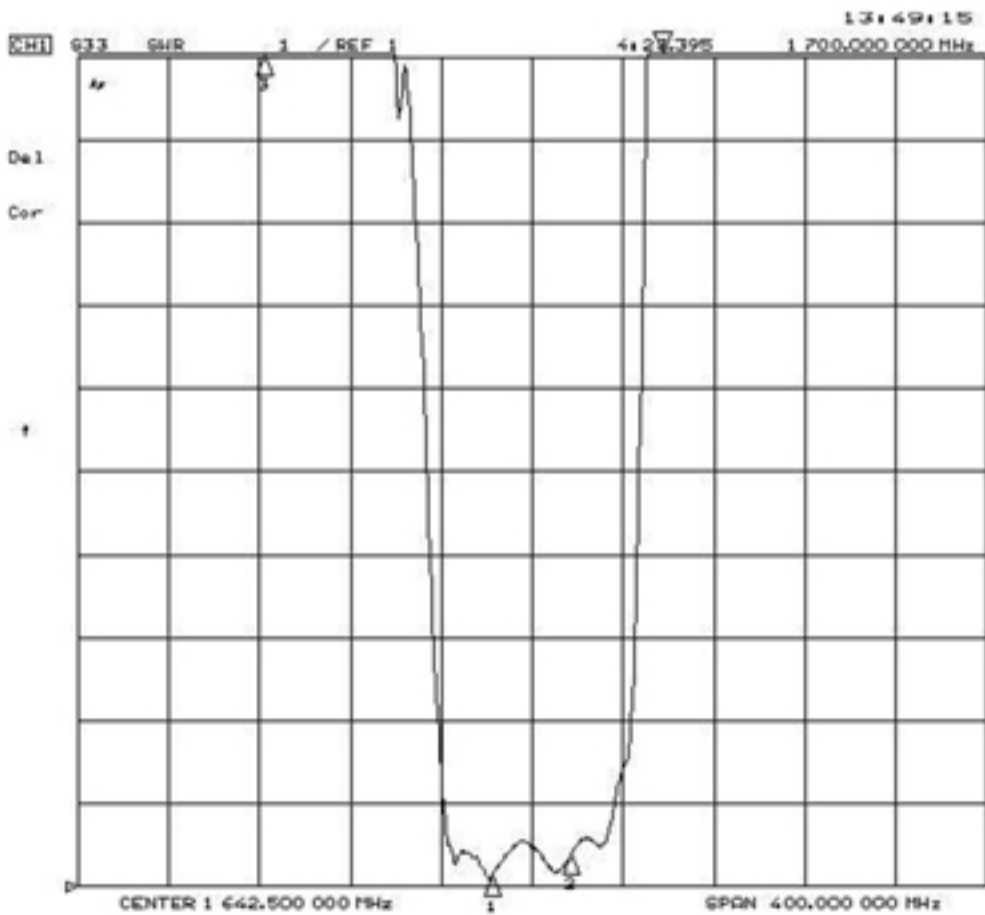
CH1 Markers

1:	1.1166	1.62500 GHz
2:	1.3424	1.66000 GHz
3:	21.286	1.62500 GHz

CH1 Markers

1:	50.346 dB	-2.5703 dB	1.62500 GHz
2:	67.063 dB	-9.2988 dB	1.66000 GHz
3:	27.744 dB	-22.369 dB	1.62500 GHz

S22 VSWR



CH1 Markers

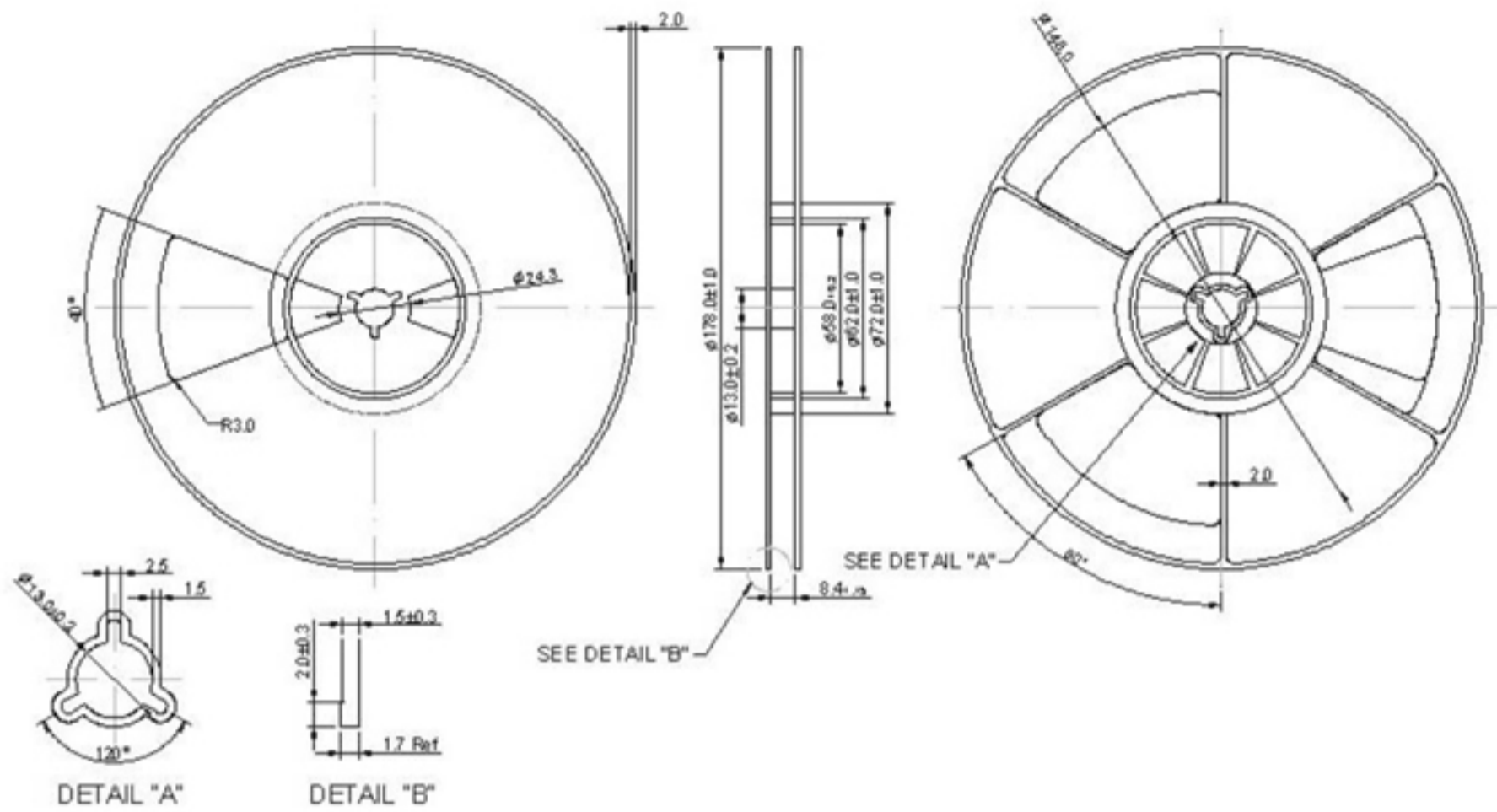
1:	1.1501	1.62500 GHz
2:	1.4148	1.66000 GHz
3:	24.140	1.62500 GHz

CH1 Markers

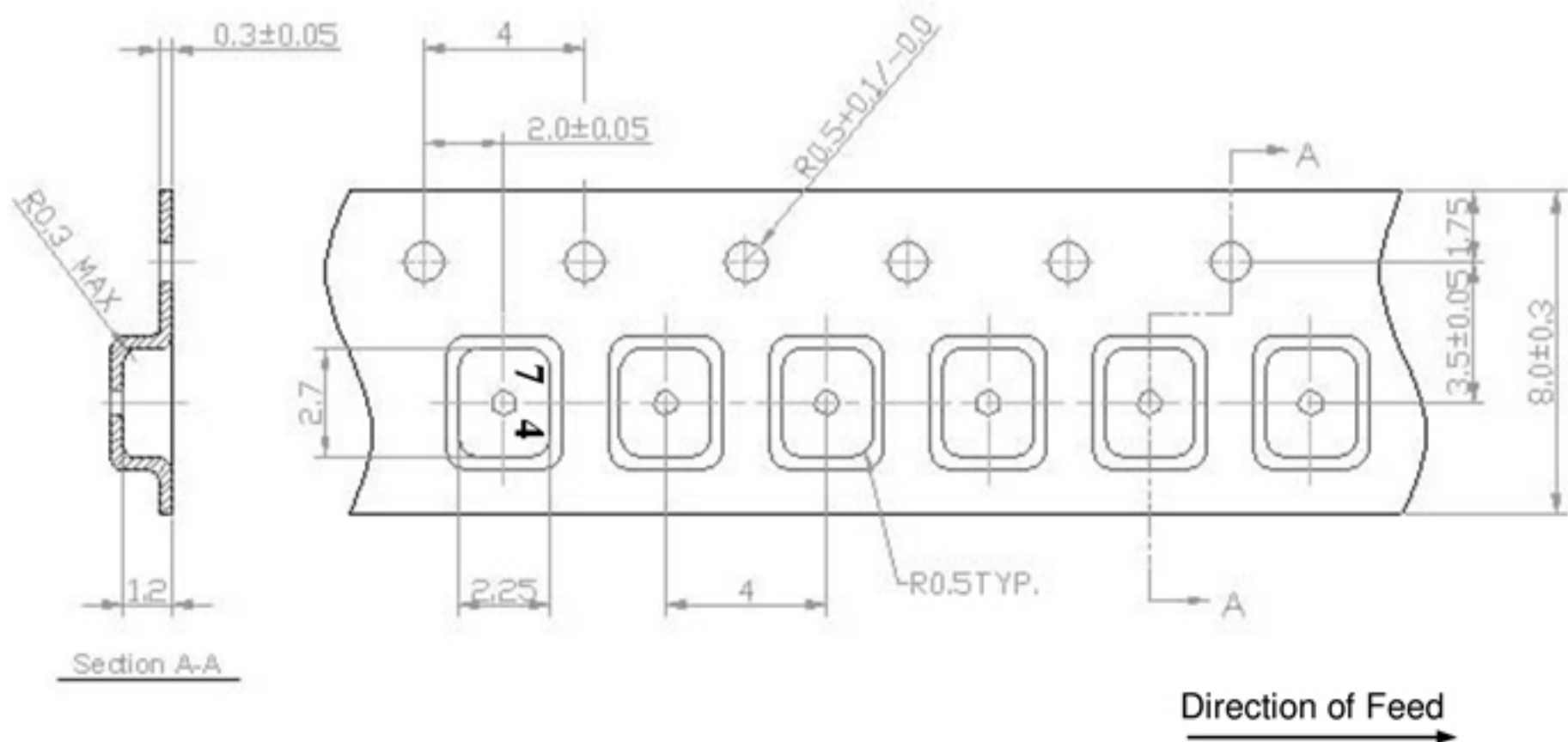
1:	49.490 dB	-6.7378 dB	1.62500 GHz
2:	59.977 dB	-16.250 dB	1.66000 GHz
3:	24.639 dB	-21.668 dB	1.62500 GHz

G. PACKING:

1. REEL DIMENSION (Please refer to FR-75D10 for packing quantity)



2. TAPE DIMENSION



H. RECOMMENDED REFLOW PROFILE:

1. Preheating shall be fixed at 150~180°C for 60~90 seconds.
2. Ascending time to preheating temperature 150°C shall be 30 seconds min.
3. Heating shall be fixed at 220°C for 50~80 seconds and at 260°C +0/-5°C peak (20~40sec).
4. Time: 2 times.

