



TAI-SAW TECHNOLOGY CO., LTD.

No. 3, Industrial 2nd Rd., Ping-Chen Industrial District,

Taoyuan, 324, Taiwan, R.O.C.

TEL: 886-3-4690038 FAX: 886-3-4697532

E-mail: tstsales@mail.taisaw.com Web: www.taisaw.com

Product Specifications Approval Sheet

Product Description: SAW Filter 2350 MHz (BW 100MHz) SMD 1.1X0.9mm

TST Parts No.:TA2015B

Customer Parts No.:_____

Company:_____
Division:_____
Approved by :_____
Date:_____

Checked by:_____ Michael Yang *Michael*

Approval by:_____ Andy Yu *Andy Yu*

Date:_____ 2018/11/26

1. Customer signed back is required before TST can proceed with sample build and receive orders.
2. Orders received without customer signed back will be regarded as agreement on the specifications.
3. Any specifications changes must be approved upon by both parties and a new revision of specifications shall be released to reflect the changes



TAI-SAW TECHNOLOGY CO., LTD.

No. 3, Industrial 2nd Rd., Ping-Chen Industrial District,
Taoyuan, 324, Taiwan, R.O.C.

TEL: 886-3-4690038 FAX: 886-3-4697532

E-mail: tstsales@mail.taisaw.com Web: www.taisaw.com

SAW Filter 2350 MHz (BW 100Hz) SMD 1.1x0.9x0.5mm

MODEL NO.:TA2015B

REV. NO.:1.0

A. MAXIMUM RATING:

1. Input Power Level: 10 dBm
2. DC Voltage : 3V
3. Operating Temperature: -30°C to +85°C
4. Storage Temperature: -40°C to +105°C
5. Moisture Sensitive Level (MSL): Level 3

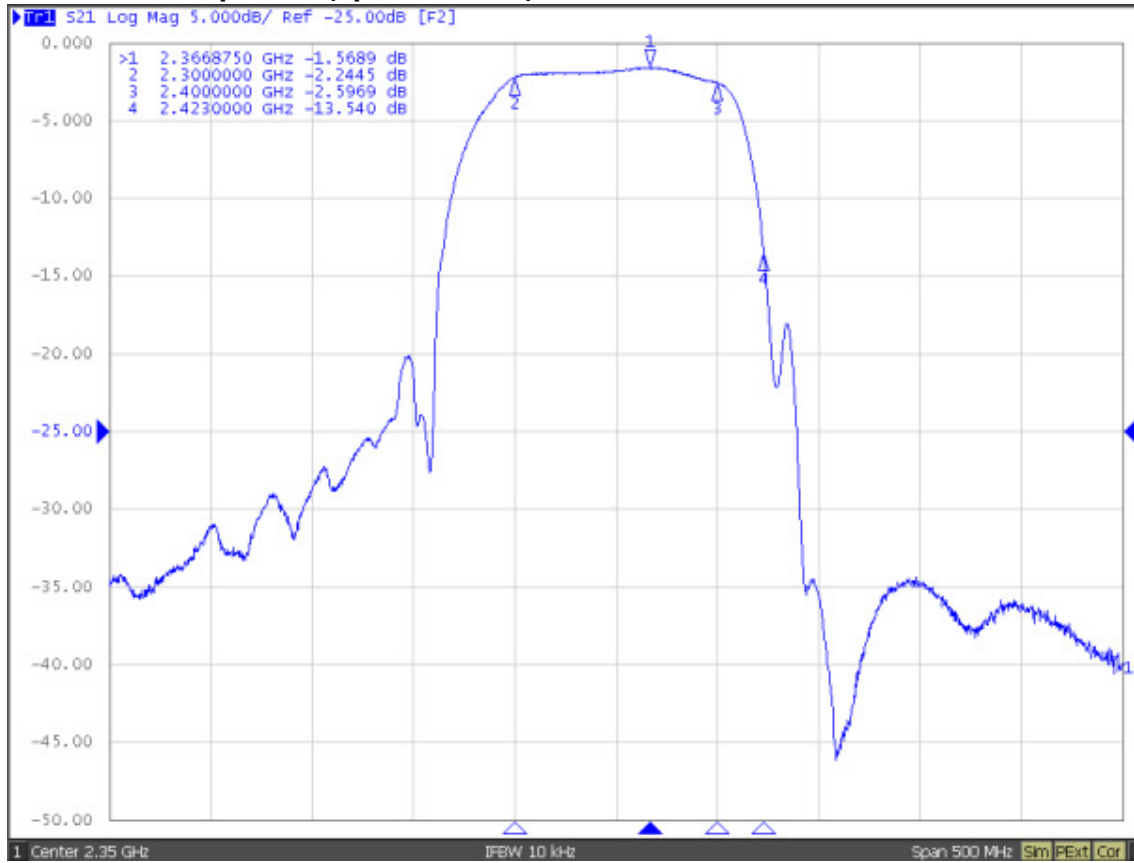
RoHS Compliant
Lead free
Lead-free soldering

Electrostatic Sensitive Device (ESD)

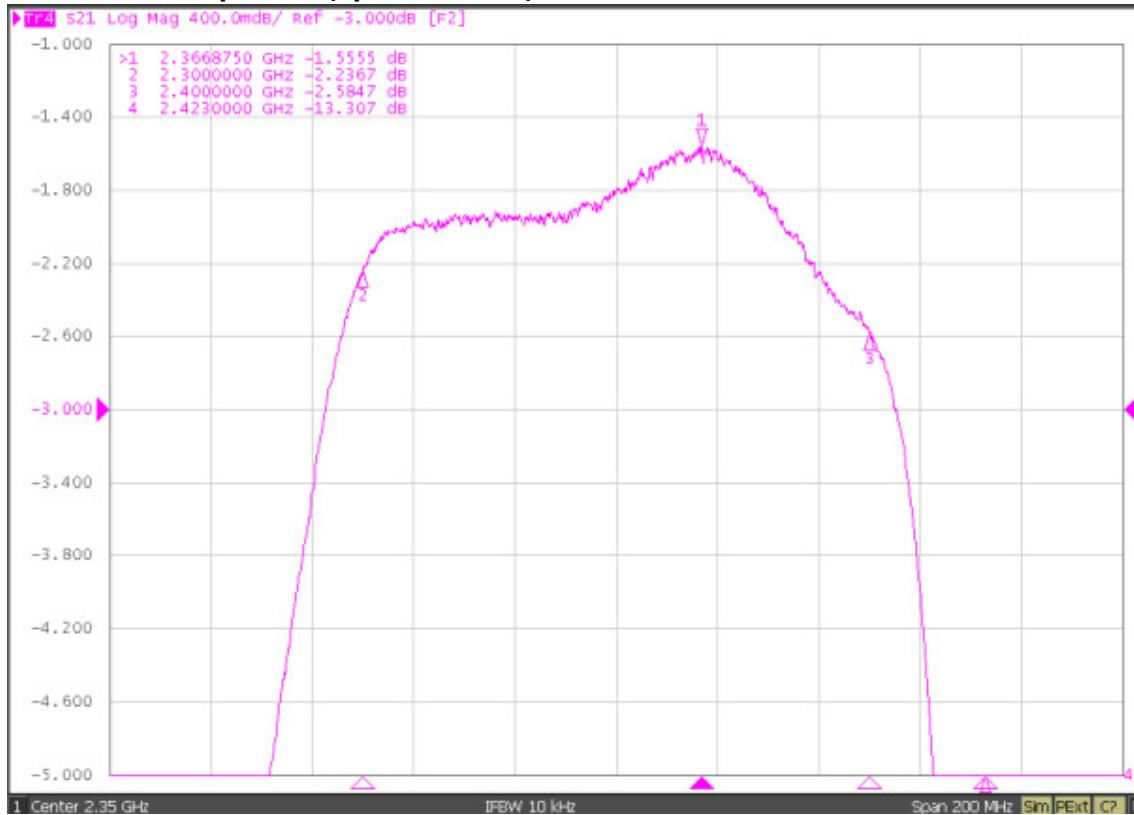
B. ELECTRICAL CHARACTERISTICS:

Item	Unit	Min.	Type.	Max.	Note
Center Frequency Fc	MHz	-	2350	-	-
Insertion Loss (2300~2400 MHz) IL	dB	-	2.5	4.2	-
(2300~2400 MHz) IL	dB	-	2.5	3	23 to 27°C
VSWR (2300~2400 MHz)		-	1.8	2.5	-
Amplitude ripple (2300~2400 MHz)	dB	-	1.3	2.5	-
Attenuation					
10 ~ 1605.89 MHz	dB	40	45	-	-
880 ~ 960 MHz	dB	45	48	-	-
1805 ~ 1830 MHz	dB	45	50	-	-
1830 ~ 1850 MHz	dB	45	50	-	-
1880 ~ 1920 MHz	dB	41	44	-	-
1880 ~ 1920 MHz	dB	41	44	-	-
2010 ~ 2025 MHz	dB	35	40	-	-
2110 ~ 2170 MHz	dB	25	30	-	-
2423 ~ 2441 MHz	dB	12	25	-	-
2428 ~ 2446 MHz	dB	15	18	-	-
2433 ~ 2451 MHz	dB	15	18	-	-
2438 ~ 2481 MHz	dB	18	22	-	-
2481 ~ 2500 MHz	dB	30	35	-	-
2500 ~ 2690 MHz	dB	30	35	-	-
4600 ~ 4800 MHz	dB	20	23	-	-
Package size	mm	SMD 1.1x0.9			

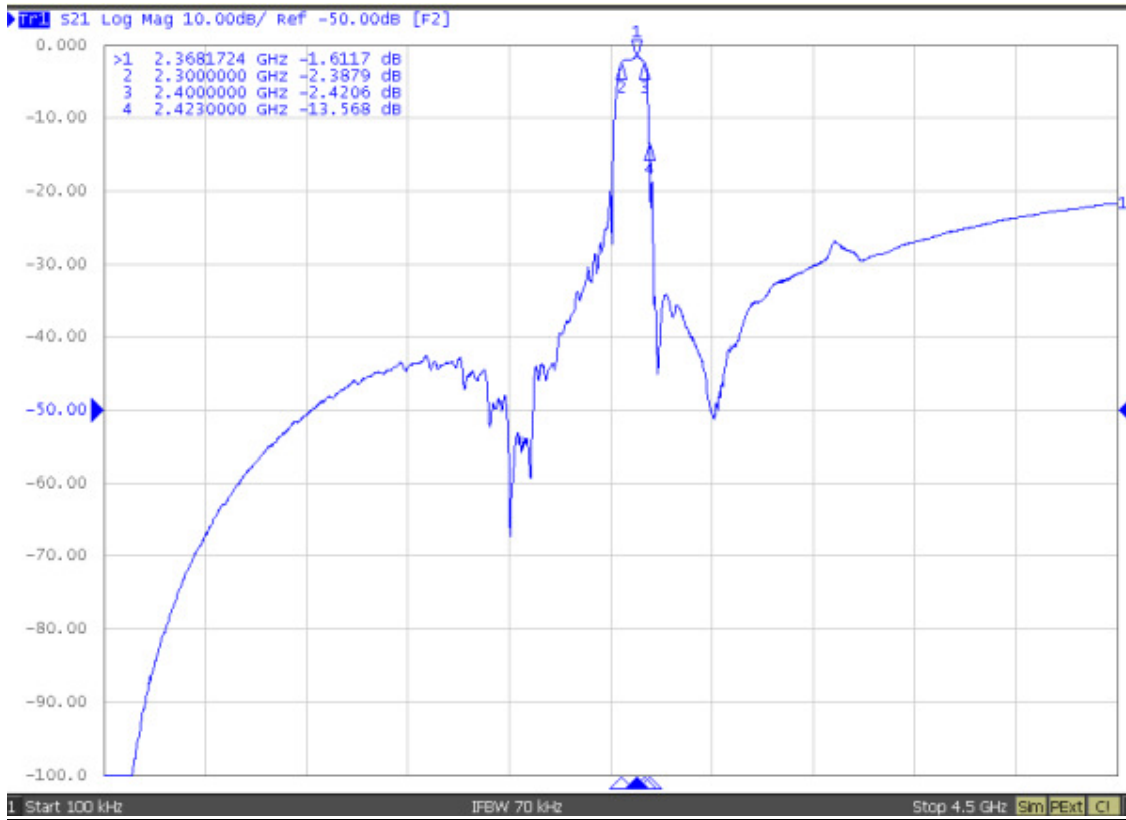
C.FREQUENCY CHARACTERISTICS:
S21 response: (span 500MHz)



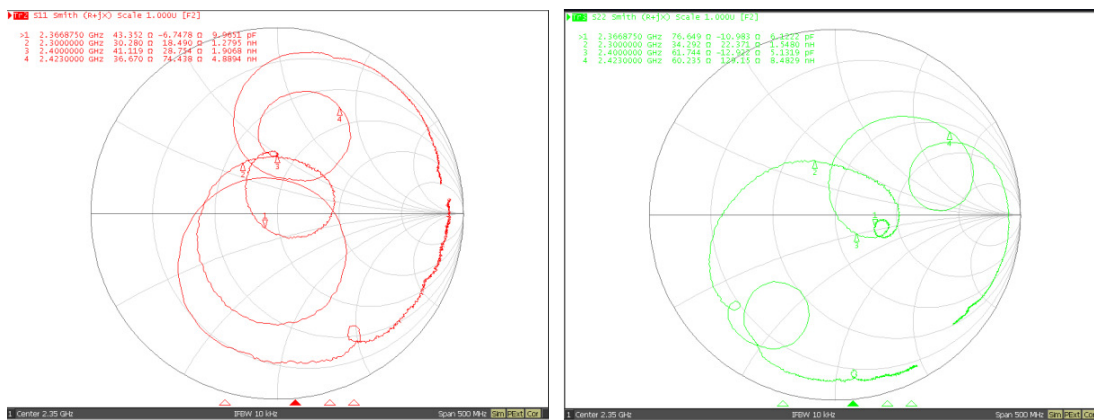
S21 response: (span 200MHz)



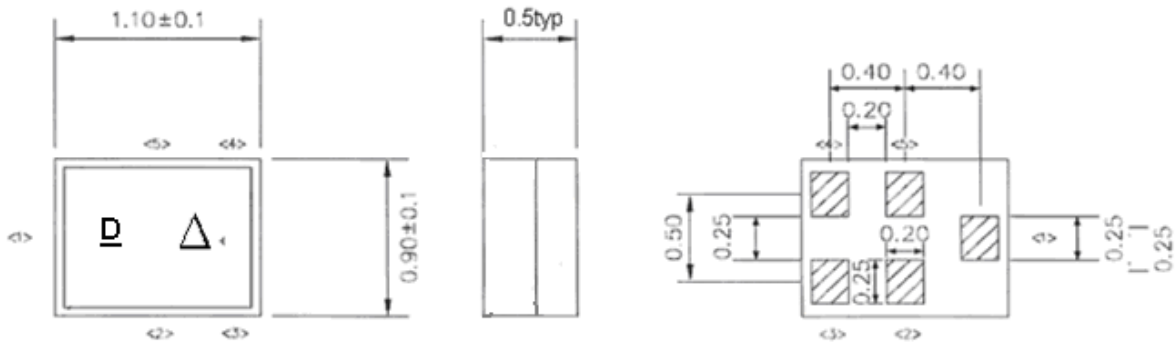
S21 response: (span 4.5GHz)



S11/S22 response:



D. OUTLINE DRAWING:

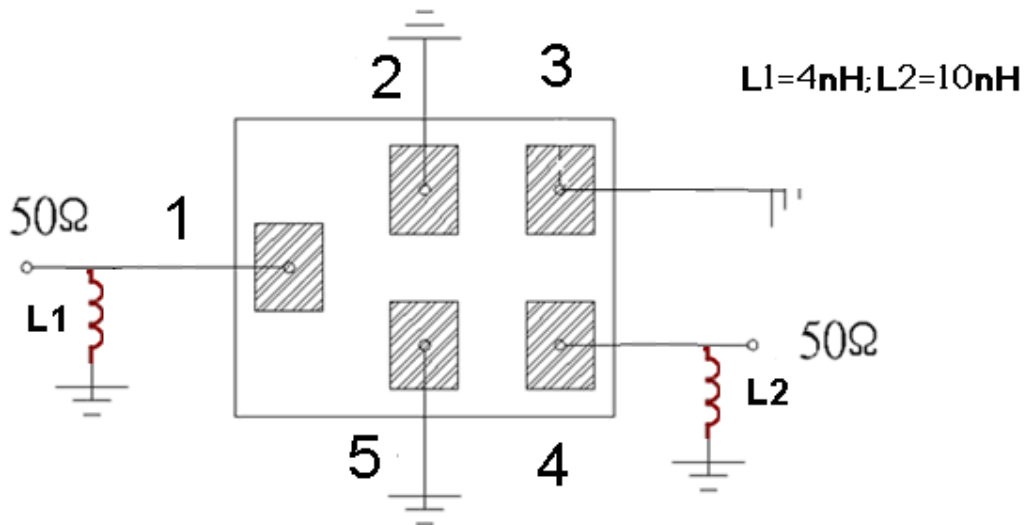


Unit: mm

Pin No.	Symbol	Function
1	IN	Unbalanced pin
2	GND	Ground
3	GND	Ground
4	OUT	Unbalanced pin
5	GND	Ground

YEAR/Month	1	2	3	4	5	6	7	8	9	10	11	12
2013	<u>A</u>	<u>B</u>	<u>C</u>	<u>D</u>	<u>E</u>	<u>F</u>	<u>G</u>	<u>H</u>	<u>J</u>	<u>K</u>	<u>L</u>	<u>M</u>
2014	<u>N</u>	<u>P</u>	<u>Q</u>	<u>R</u>	<u>S</u>	<u>T</u>	<u>U</u>	<u>V</u>	<u>W</u>	<u>X</u>	<u>Y</u>	<u>Z</u>
2015	<u>a</u>	<u>b</u>	<u>c</u>	<u>d</u>	<u>e</u>	<u>f</u>	<u>g</u>	<u>h</u>	<u>j</u>	<u>k</u>	<u>l</u>	<u>m</u>
2016	<u>n</u>	<u>p</u>	<u>q</u>	<u>r</u>	<u>s</u>	<u>t</u>	<u>u</u>	<u>v</u>	<u>w</u>	<u>x</u>	<u>y</u>	<u>z</u>
2017	<u>A</u>	<u>B</u>	<u>C</u>	<u>D</u>	<u>E</u>	<u>F</u>	<u>G</u>	<u>H</u>	<u>J</u>	<u>K</u>	<u>L</u>	<u>M</u>
2018	<u>N</u>	<u>P</u>	<u>Q</u>	<u>R</u>	<u>S</u>	<u>T</u>	<u>U</u>	<u>V</u>	<u>W</u>	<u>X</u>	<u>Y</u>	<u>Z</u>
2019	<u>a</u>	<u>b</u>	<u>c</u>	<u>d</u>	<u>e</u>	<u>f</u>	<u>g</u>	<u>h</u>	<u>i</u>	<u>k</u>	<u>l</u>	<u>m</u>
2020	<u>n</u>	<u>p</u>	<u>q</u>	<u>r</u>	<u>s</u>	<u>t</u>	<u>u</u>	<u>v</u>	<u>w</u>	<u>x</u>	<u>y</u>	<u>z</u>

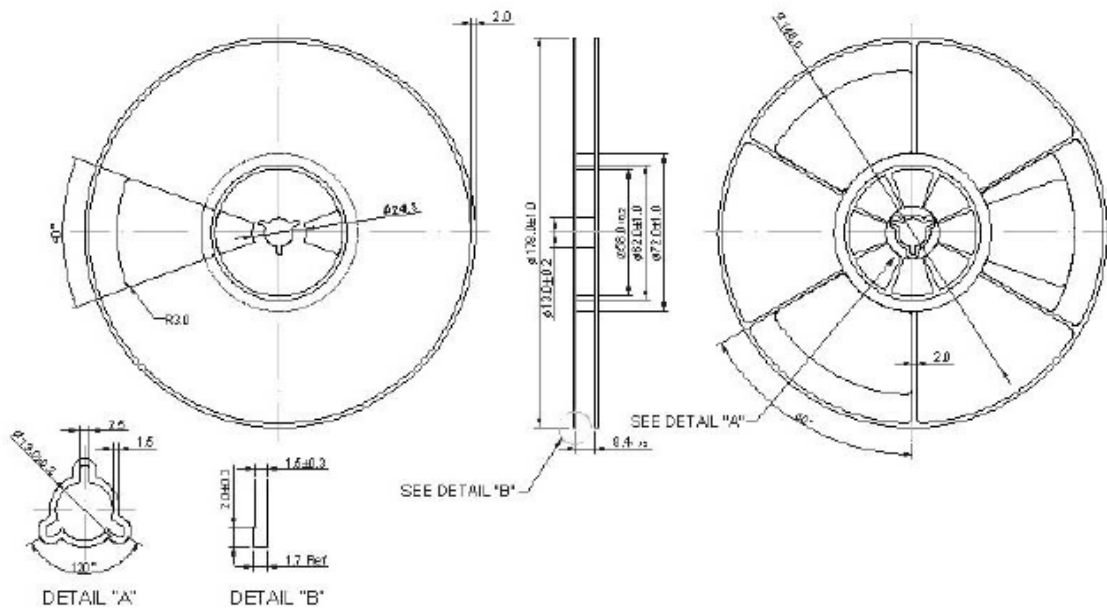
E. MEASUREMENT CIRCUIT:



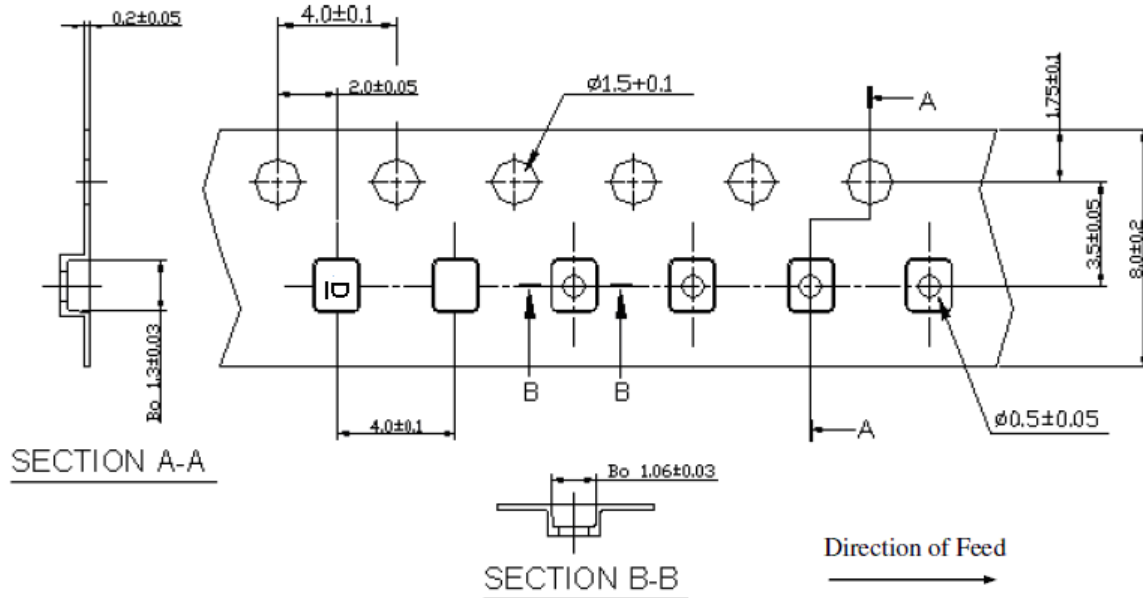
F. PACKING:

1. REEL DIMENSION

(Please refer to FR-75D10 for packing quantity)



2. TAPE DIMENSION



G. RECOMMENDED REFLOW PROFILE :

1. Preheating shall be fixed at 150~180°C for 60~90 seconds.
2. Ascending time to preheating temperature 150°C shall be 30 seconds min.
3. Heating shall be fixed at 220°C for 50~80 seconds and at 260°C+0/-5°C peak (20~40sec).
4. Time: 2 times.

